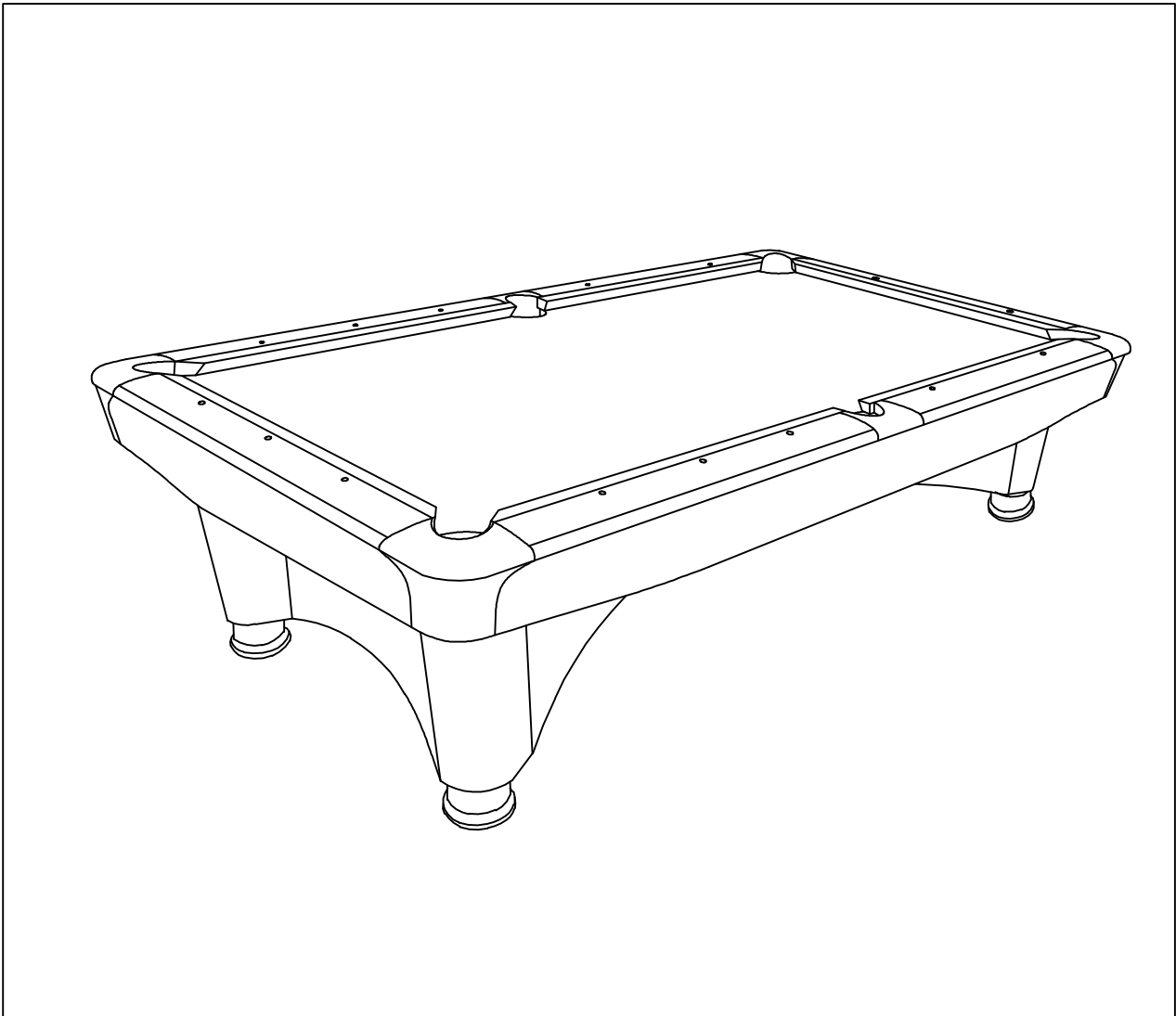
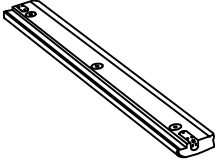
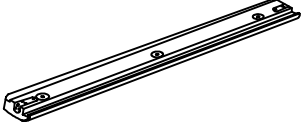
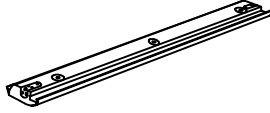
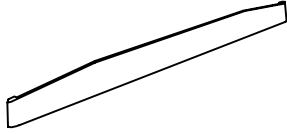

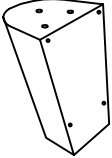

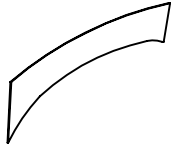
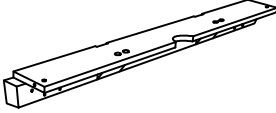
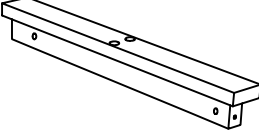
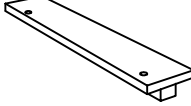
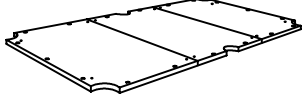

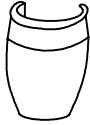

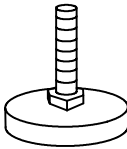
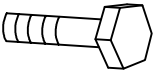


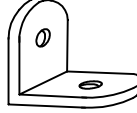
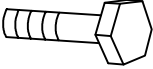
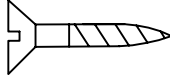
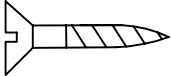
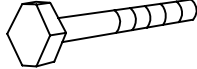


Dynamic III



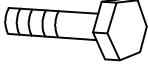

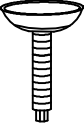
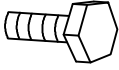
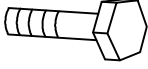
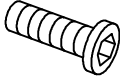
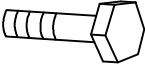
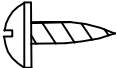

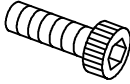
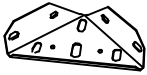

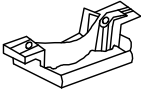
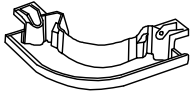

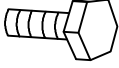
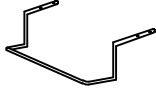



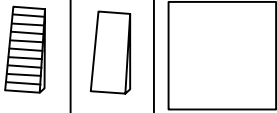


55100.071 55100.073
55100.075 55100.081
55100.083 55100.085
55100.091 55100.092
55100.093 55100.095
55100.096

PART LIST

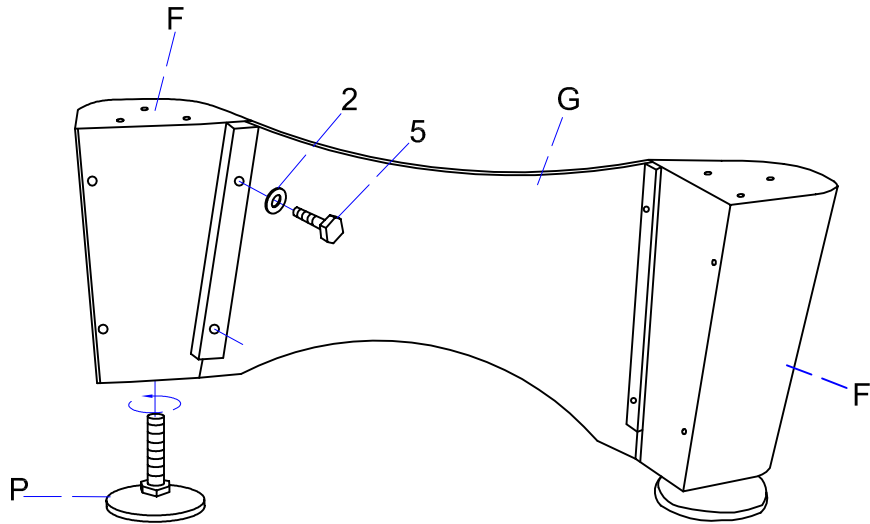
<p>A</p>  <p>End Rail 2 pieces</p>	<p>B</p>  <p>Side Rail (A) 2 pieces</p>	<p>C</p>  <p>Side Rail (B) 2 pieces</p>	<p>D</p>  <p>Side Apron 2 pieces</p>
<p>E</p>  <p>End Apron 2 pieces</p>	<p>F</p>  <p>Leg 4 pieces</p>	<p>G</p>  <p>Leg End Panel 2 pieces</p>	<p>H</p>  <p>Stretcher For Leg 2 pieces</p>
<p>I</p>  <p>Main Beam 2 pieces</p>	<p>J</p>  <p>Mid Cross Bean 2 pieces</p>	<p>K</p>  <p>End Cross Bean 2 pieces</p>	<p>L</p>  <p>Slate 1 set</p>
<p>M</p>  <p>Cloth 1 piece</p>	<p>N</p>  <p>Basket A 4 pieces</p>	<p>O</p>  <p>Basket B 2 pieces</p>	<p>P</p>  <p>Leg Leveler 4 pieces</p>
<p>#1</p>  <p>8x25mm Bolt 4 pieces</p>	<p>#2</p>  <p>8x19mm Washer 24 pieces</p>	<p>#3</p>  <p>8mm Nut 4 pieces</p>	<p>#4</p>  <p>Small Angle Steel 4 pieces</p>
<p>#5</p>  <p>8X44mm Bolt 16 pieces</p>	<p>#6</p>  <p>6x76mm Bolt 12 pieces</p>	<p>#7</p>  <p>F4x19mm Screw 4 pieces</p>	<p>#8</p>  <p>10x102mm Bolt 16 pieces</p>

PART LIST(Cont'd)

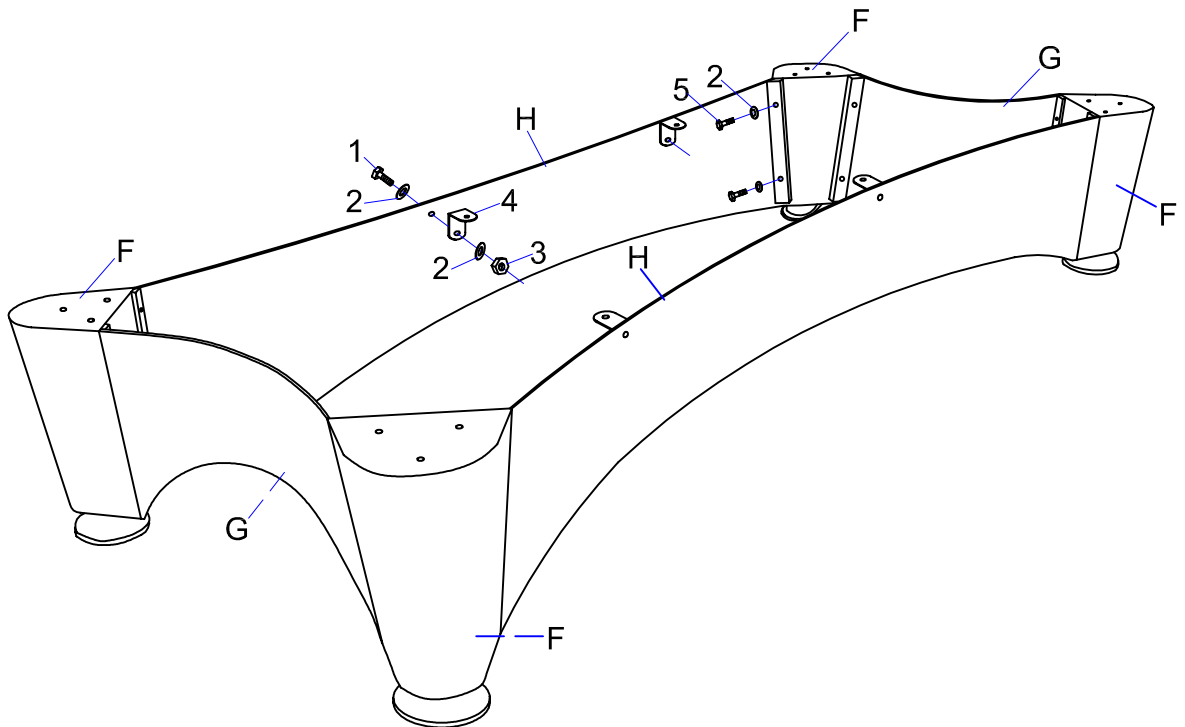
<p>#9</p>  <p>10x23mm Washer 60 pieces</p>	<p>#10</p>  <p>10mm Nut 16 pieces</p>	<p>#11</p>  <p>10x63mm Bolt 16 pieces</p>	<p>#12</p>  <p>10mm Nut 16 pieces</p>
<p>#13</p>  <p>Slate Leveler 18 pieces</p>	<p>#14</p>  <p>10x25mm Bolt 12 pieces</p>	<p>#15</p>  <p>10x51mm Bolt 18 pieces</p>	<p>#16</p>  <p>6x8mm Bolt 16 pieces</p>
<p>#17</p>  <p>8x45mm Bolt 18 pieces</p>	<p>#18</p>  <p>T4x19mm Screw 8 pieces</p>	<p>#19</p>  <p>10x35mm Washer 18 pieces</p>	<p>#20</p>  <p>5x15mm Bolt 12 pieces</p>
<p>#21</p>  <p>Leg Angle Steel 4 pieces</p>	<p>#22</p>  <p>Apron Corner 4 pieces</p>	<p>#23</p>  <p>Side Rail Corner 2 pieces</p>	<p>#24</p>  <p>End Rail Corner 4 pieces</p>
<p>#25</p>  <p>10x32mm Washer 12 pieces</p>	<p>#26</p>  <p>10x32mm Bolt 12 pieces</p>	<p>#27</p>  <p>Triangle Support 1 piece</p>	<p>#28</p>  <p>Cue Support 1 piece</p>
<p>#29</p>  <p>Protector 12 pieces</p>	<p>#30</p>  <p>8x23mm Washer 18 pieces</p>	<p>#31</p>  <p>8 pcs 8 pcs 8 pcs Slate wedges</p>	

Assembly Instruction

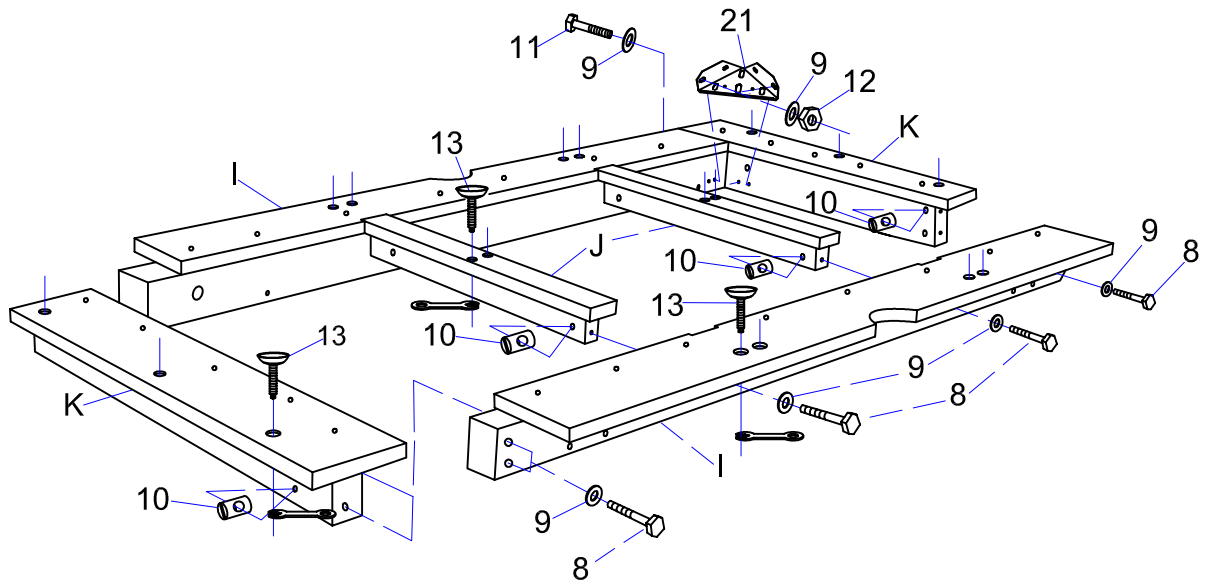
Step 1:



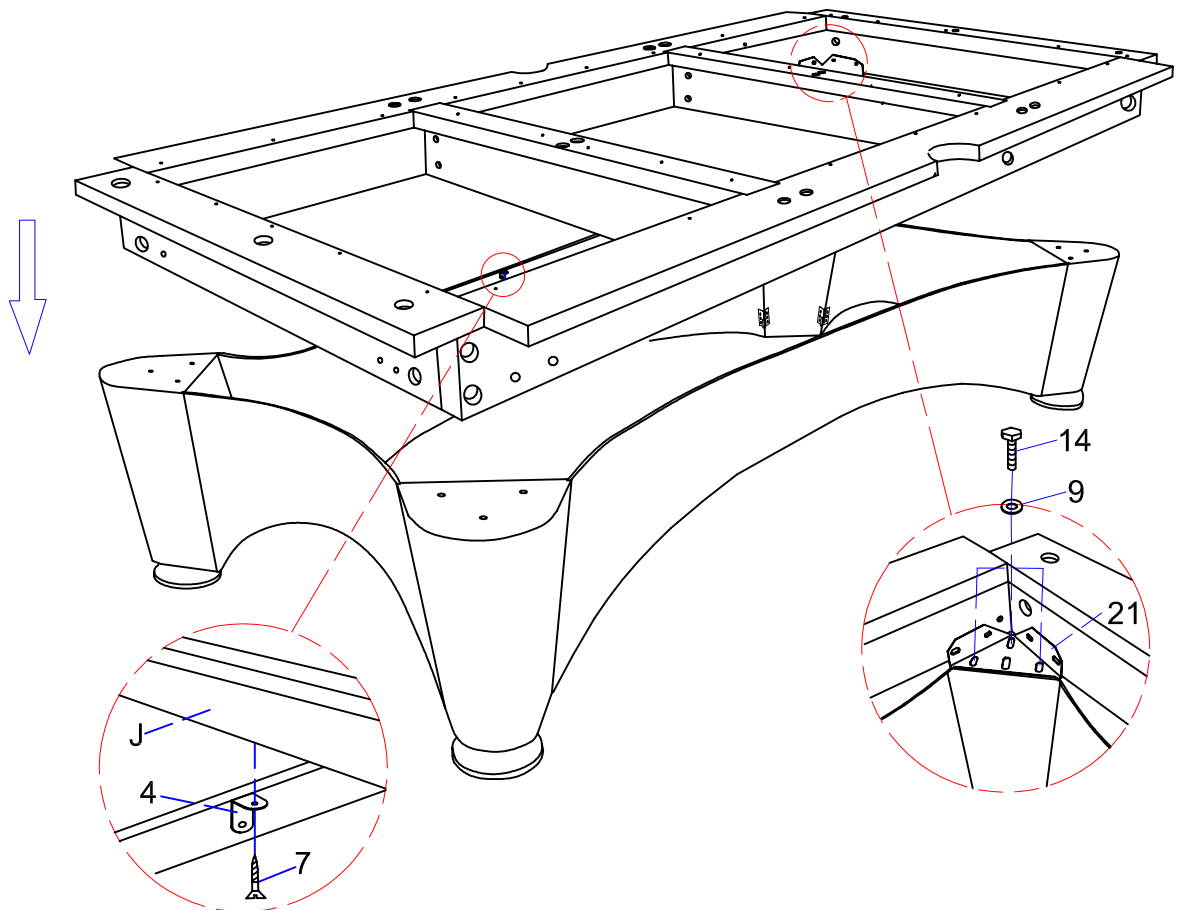
Step 2:



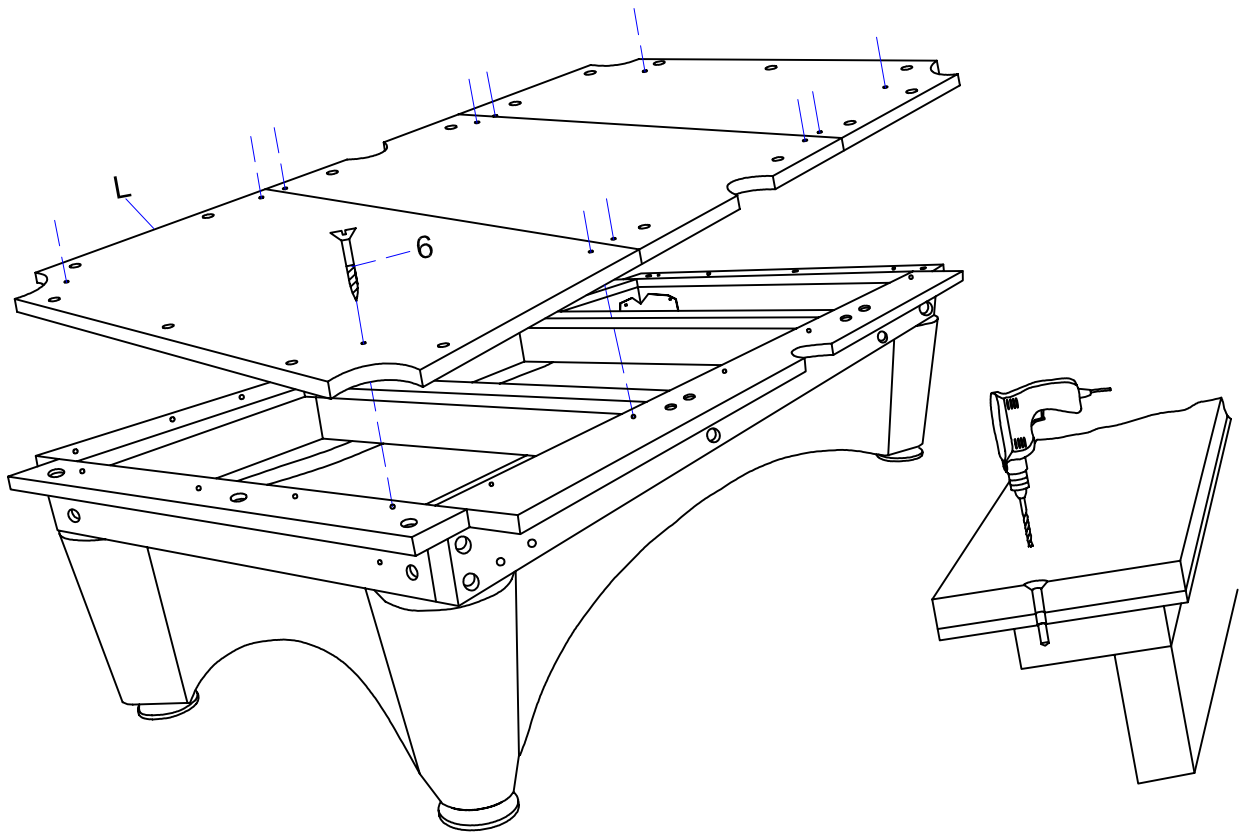
Step 3:



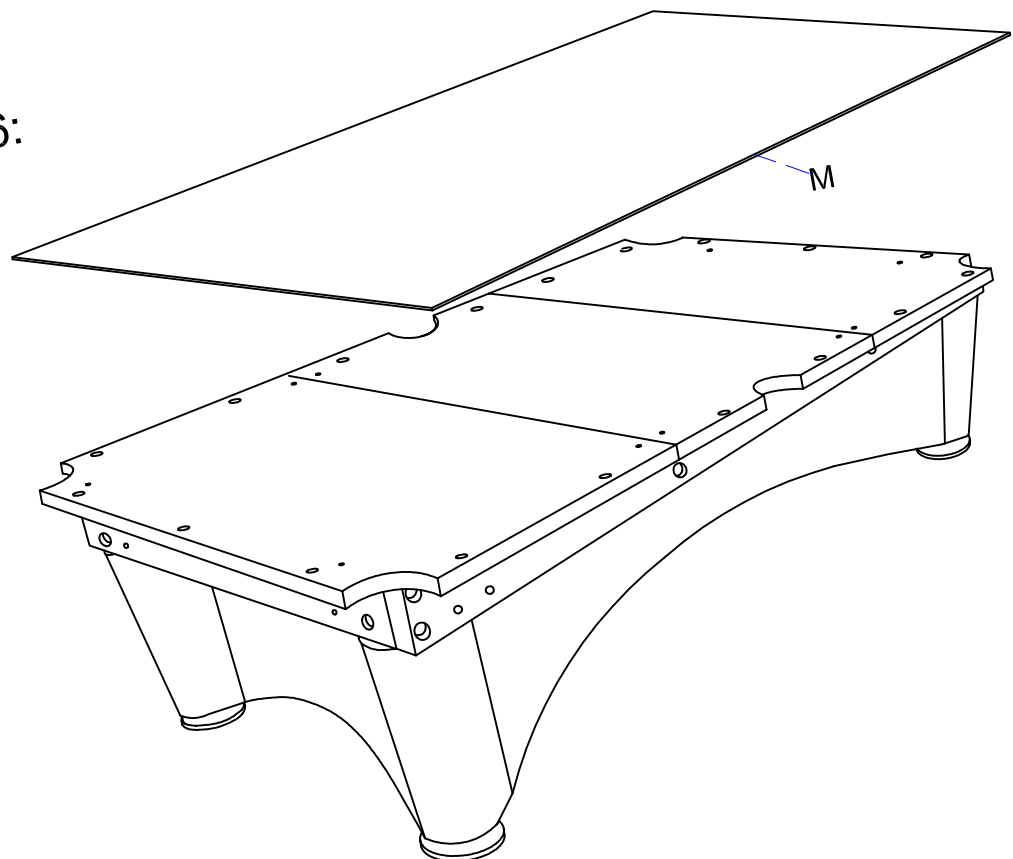
Step 4:



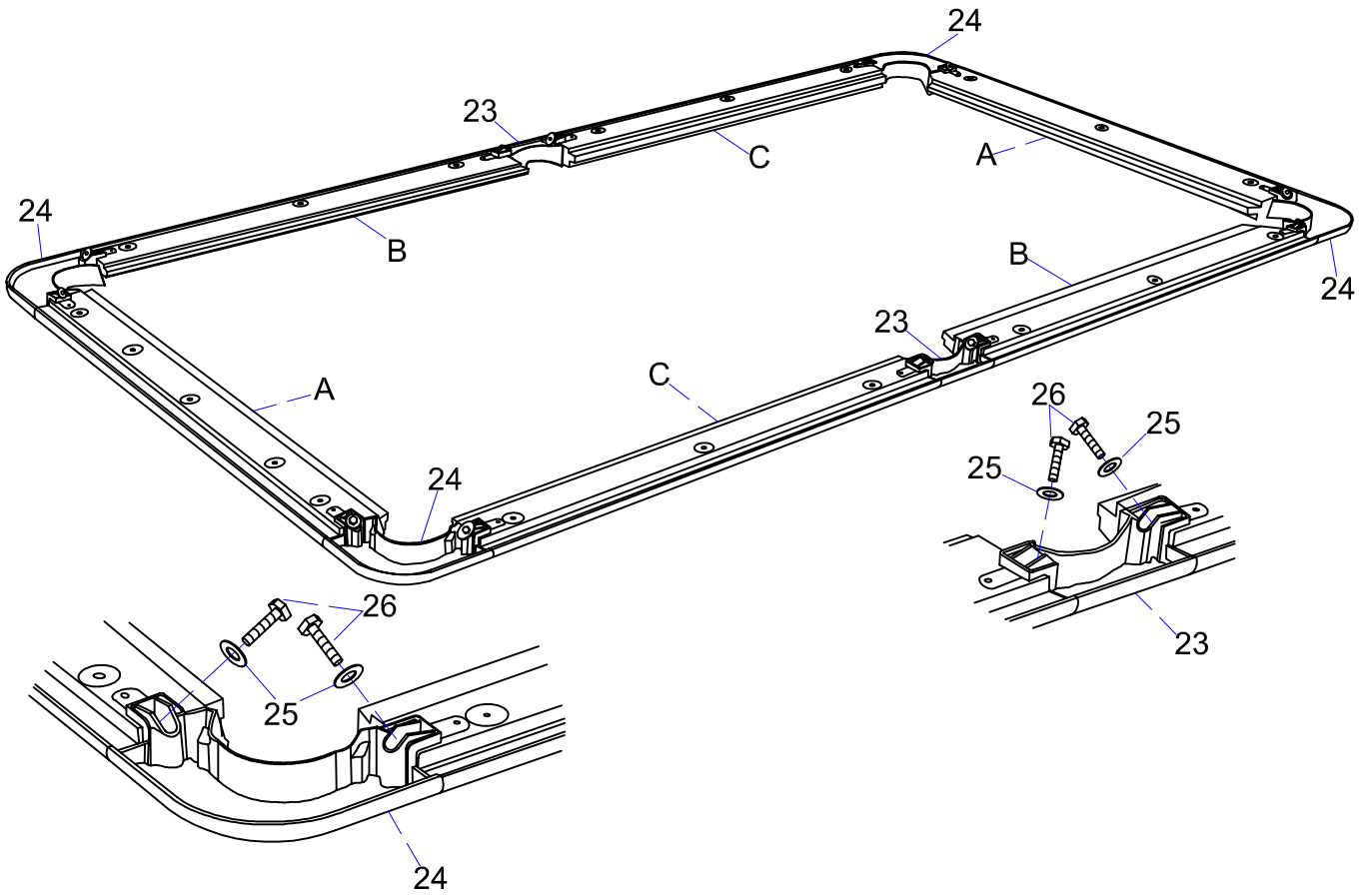
Step 5:



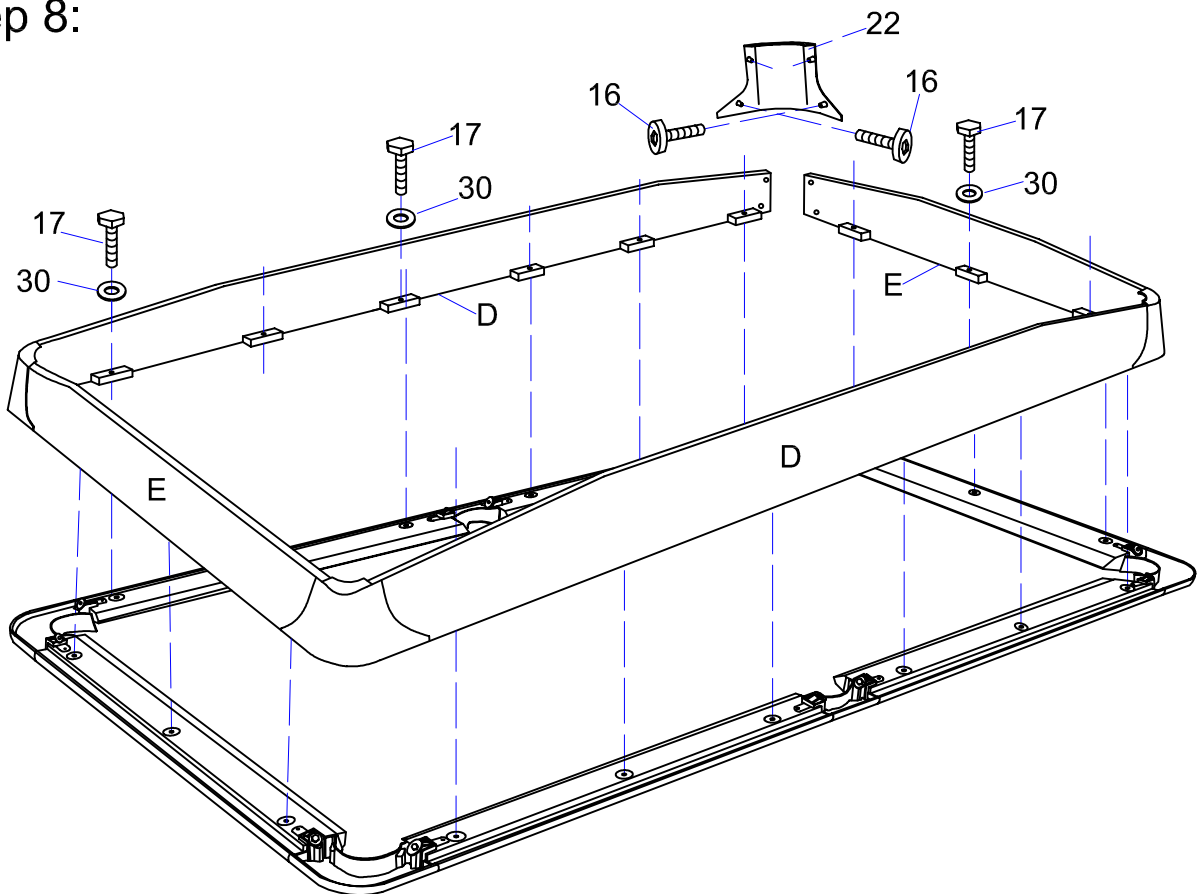
Step 6:



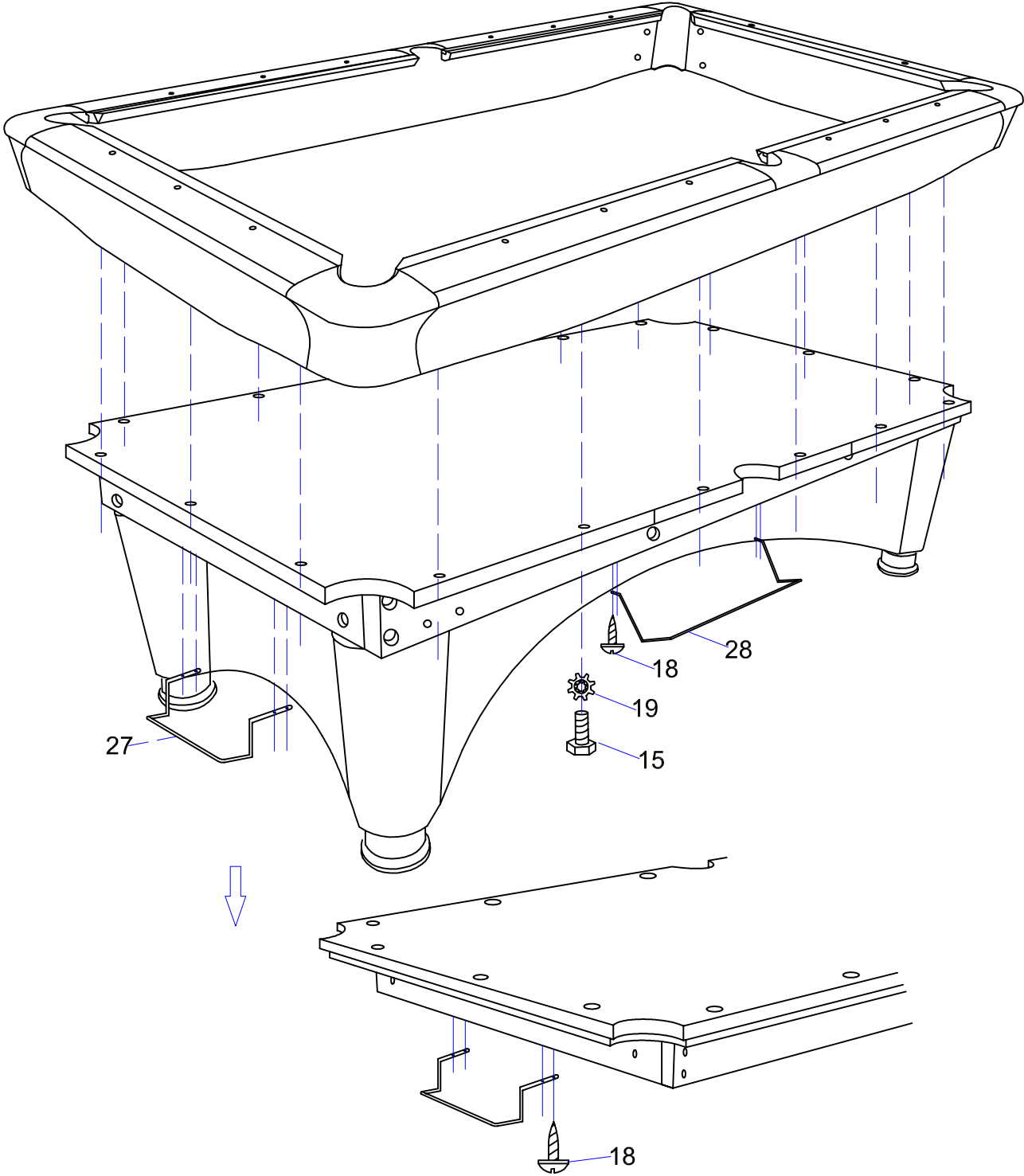
Step 7:



Step 8:



Step 9:



Step 10:

