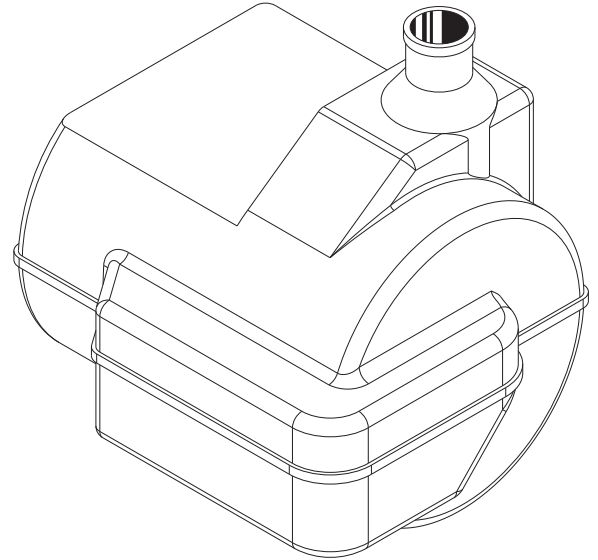


Description

Developed for the use in whirlpool tubs the aerospa blower is a powerful aggregate. The bypass blower has a outstanding safety feature. The electrical and mechanical part of the motor are seperated.

Water which gets to the vent area, will not lead immedeatly to a electrical defect. A important feature for a safe and secure whirlpool. Available motors 800 watt single stange and 1000 watts double stage. With or without heating. The version with integrated electronic control can be find on a separate data sheet. Shaped according to bath tub shapes the blower G can be installed excellently.



Blower G-08K ArtNr. 610-010-08-30
Blower G-10K ArtNr. 610-010-10-30

With heater (internal connected)

Blower G-08H1 ArtNr. 610-010-08-15
Blower G-10H1 ArtNr. 610-010-10-15

With heater (external wire)

Blower G-08H2 ArtNr. 610-010-08-20
Blower G-10H2 ArtNr. 610-010-10-20

Technical Details

Bypass-blower with motor 800W or 1000W and airheater connected intern, condenser (EMV)

Engine

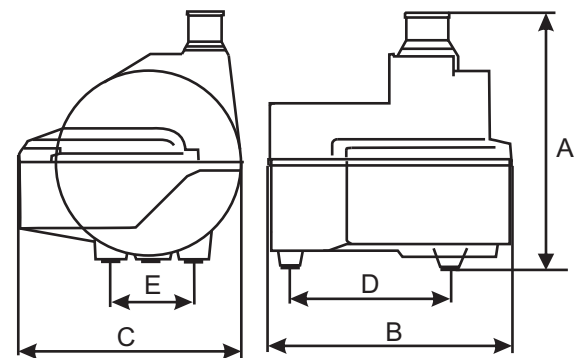
- G-08H1: Bypass-engine 800W: single-stage
- G-10H1: Bypass-engine 1000W: double-stage
- Thermoprotection for motor

Heating

- Heater 300W
- Thermostat 85°C and thermofuse 121°C

Housing

- Material of housing: Polycarbonat (PC)
- Compact design, shaped for under-bath-tub-using
- Protection IPX5



A	B	C	D	E	Wight
224mm	232mm	190mm	70mm	130mm	3,0kg

Pressure (bar)	Volume(m ³ /h)	
	800 W	1000 W
0,02	46	50
0,05	41	45
0,10	30	42
		35
Maximum	0,11	0,17