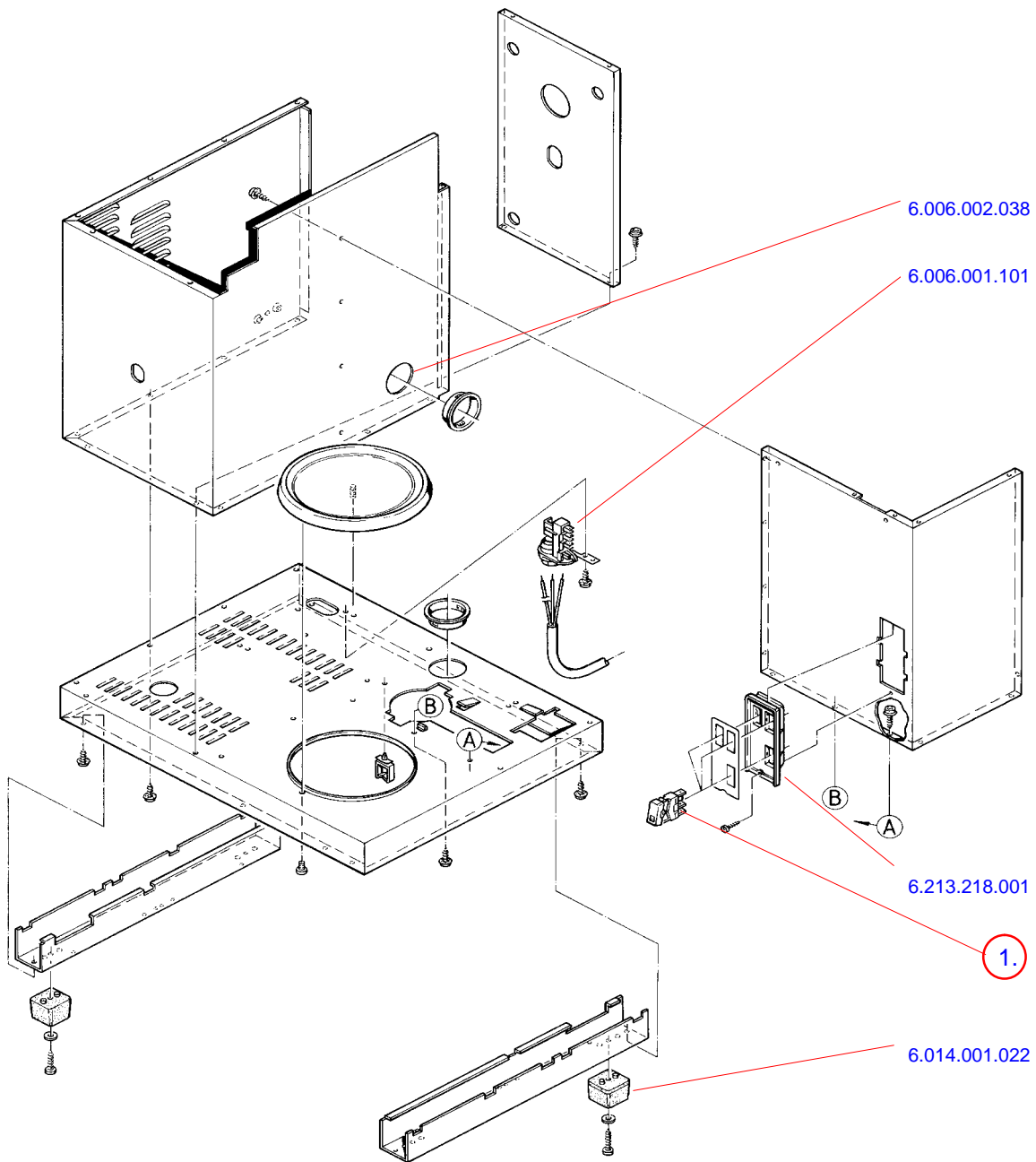
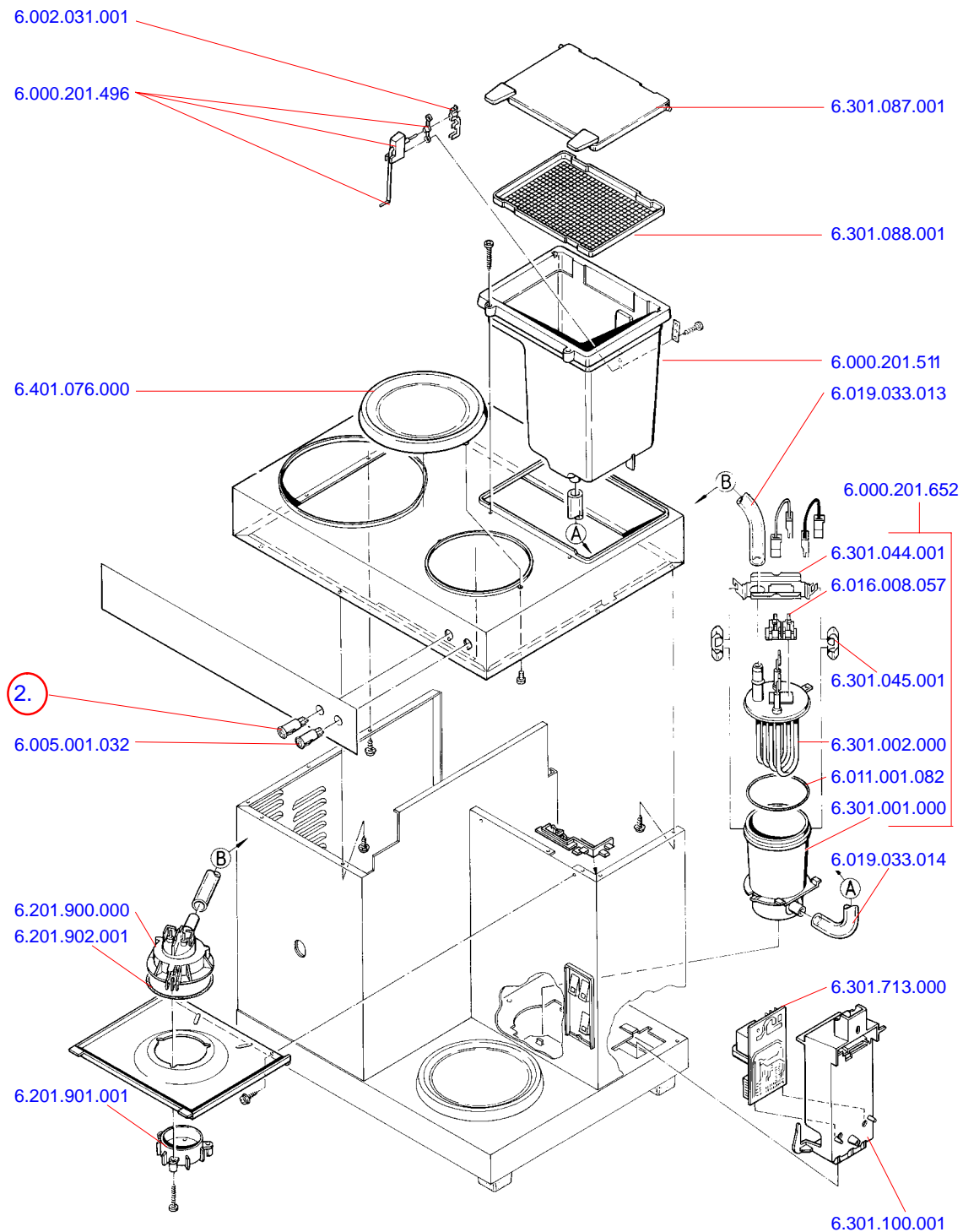


RL 118



		RL118
1.	STD	6.004.001.045
	D	6.004.001.051

RL 118



		RL118
2.	STD	6.005.001.035
	D	6.005.001.034