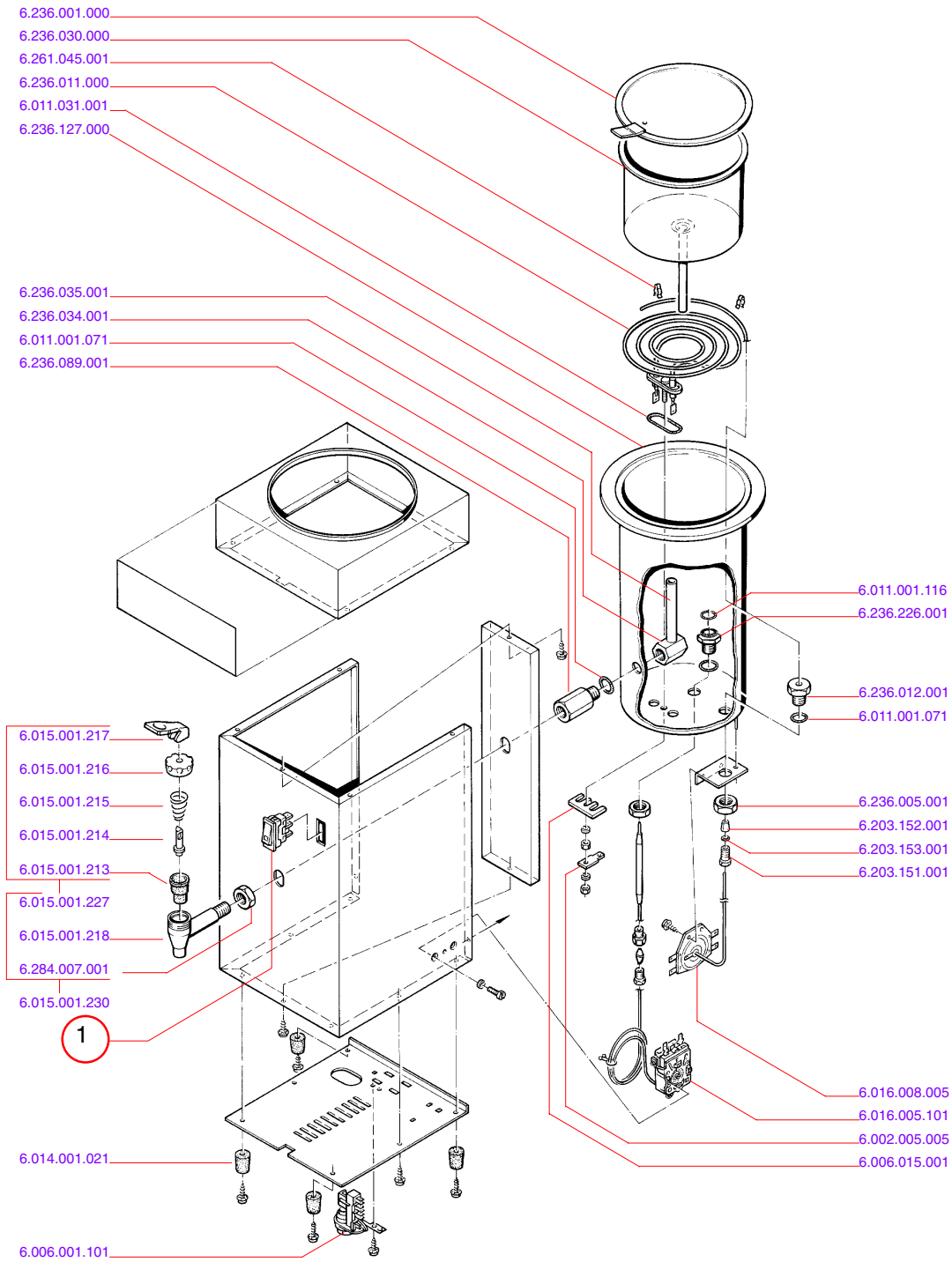


HW 10



		HW10
1.	STD	6.004.001.045
	D	6.004.001.051