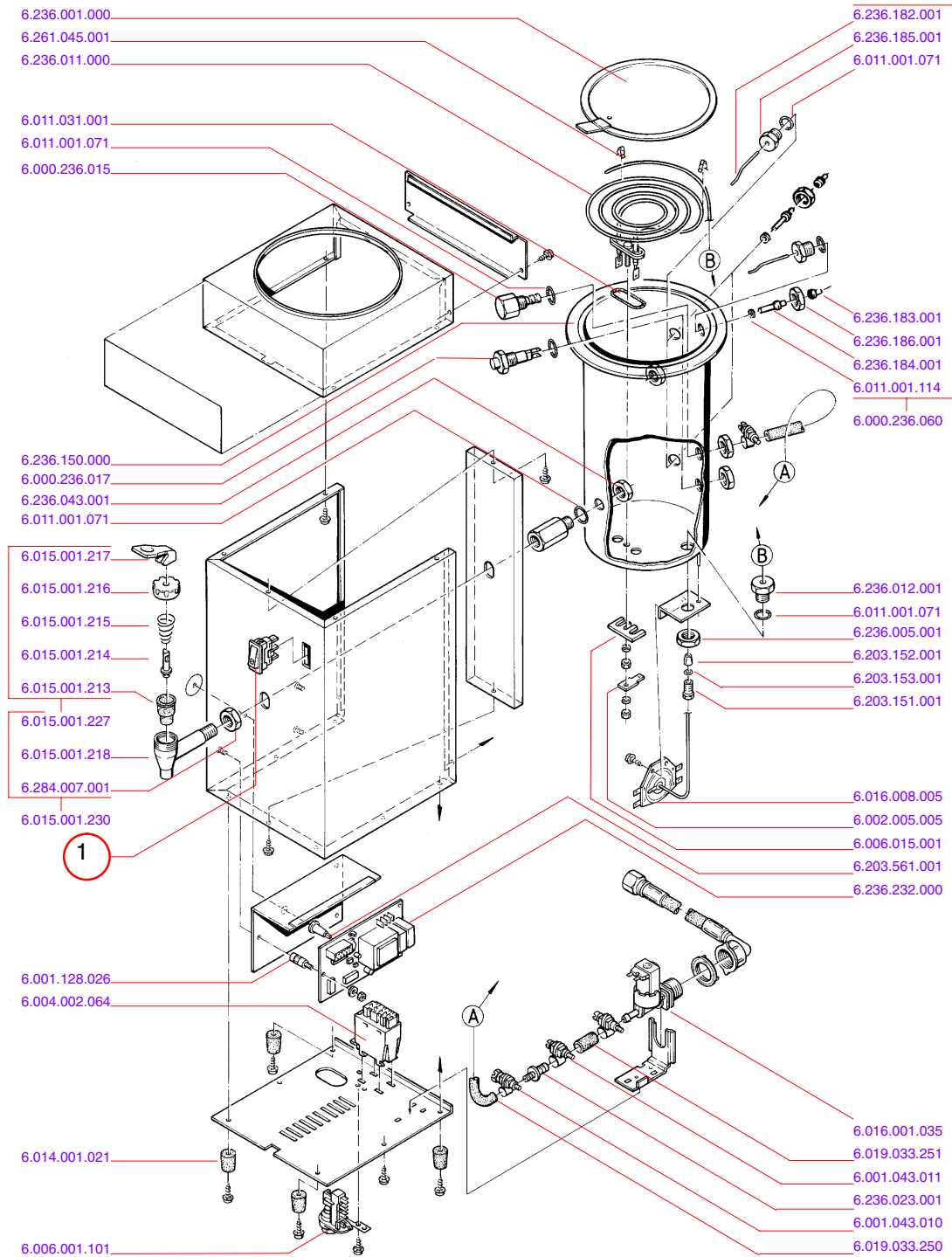


HWA 20



		HWA20
1.	STD	6.004.001.045
	D	6.004.001.051