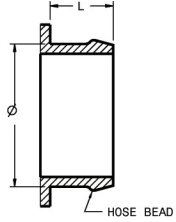


Compressor Inlet

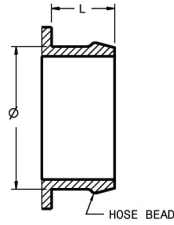
HOSE CONNECTIONS
TABULATED AS (\varnothing x L)



\varnothing 76.2 x 31.75

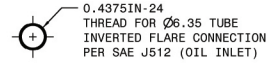
Compressor Outlet

HOSE CONNECTIONS
TABULATED AS (\varnothing x L)



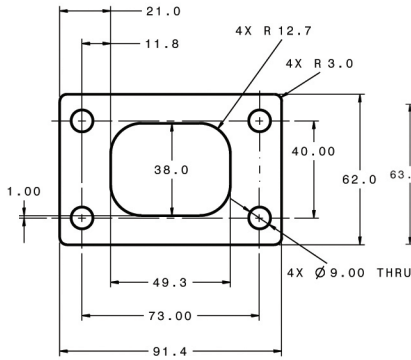
\varnothing 51 x 30

Oil Inlet



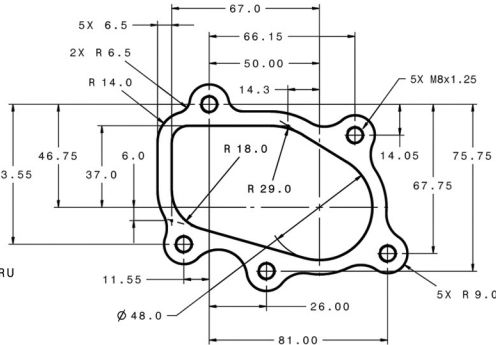
Turbine Inlet

"T25"

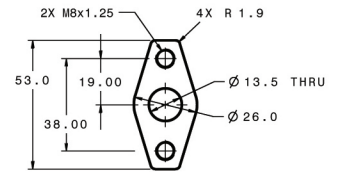


Turbine Outlet

"5 BOLT"

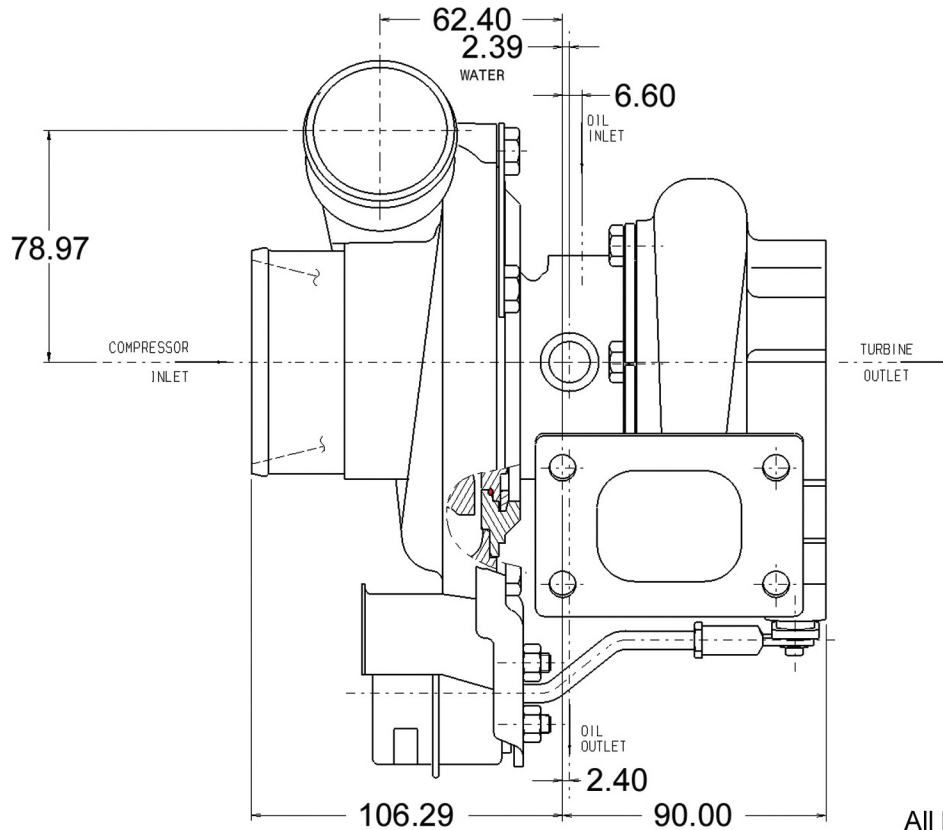


Oil Outlet



Water

M14 x 1.50



All Measurements in MM