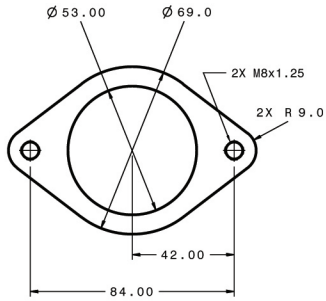
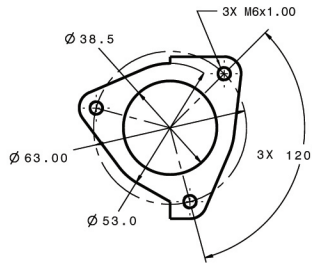


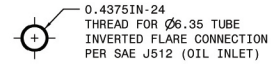
Compressor Inlet



Compressor Outlet

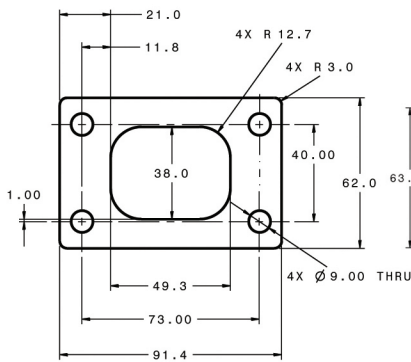


Oil Inlet



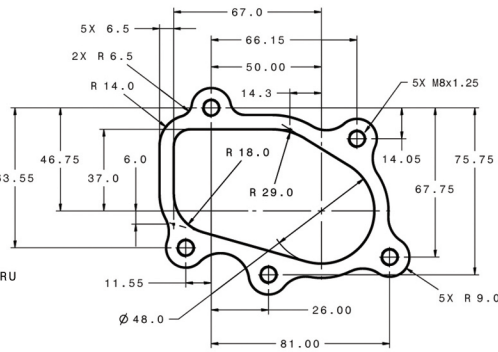
Turbine Inlet

"T25"

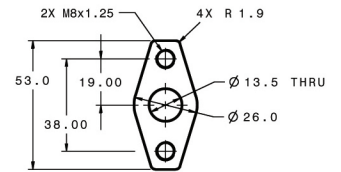


Turbine Outlet

"5 BOLT"

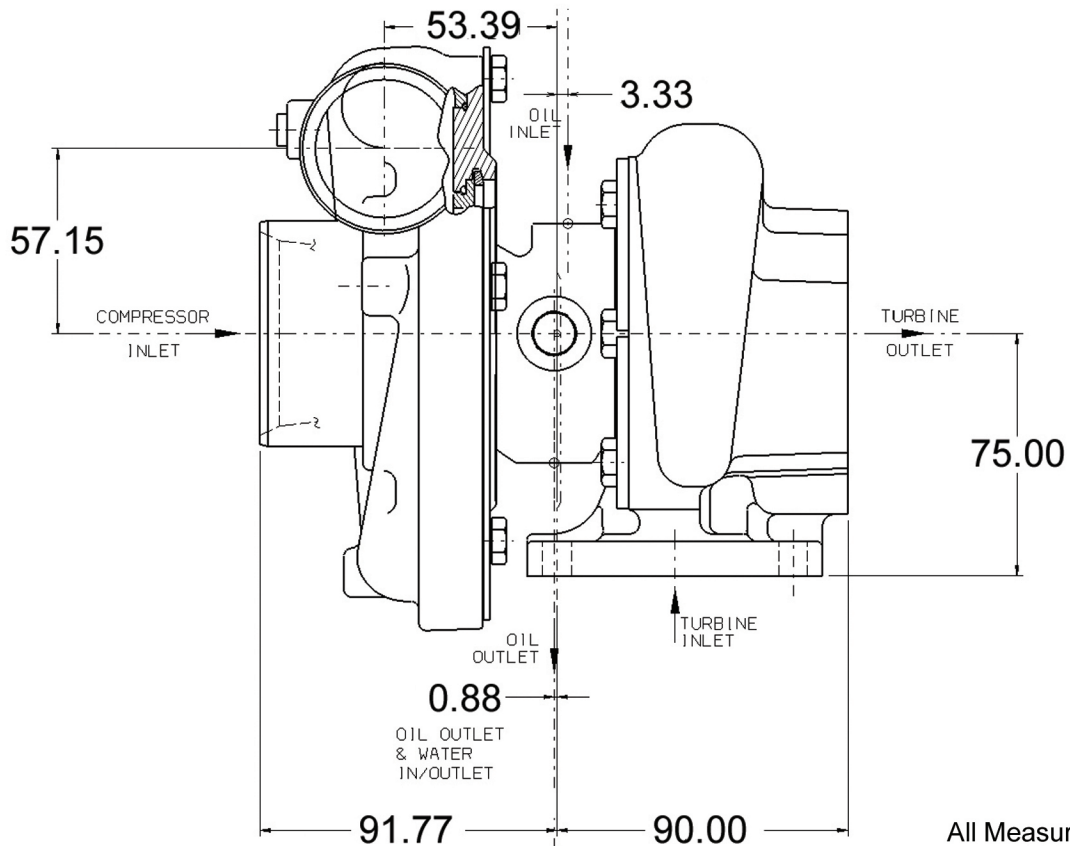


Oil Outlet



Water

M14 x 1.50



All Measurements in MM