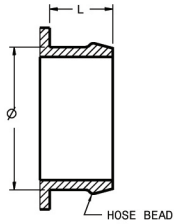


**Compressor Inlet**

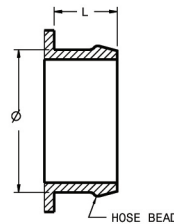
HOSE CONNECTIONS  
TABULATED AS ( $\varnothing$  x L)



$\varnothing$  76.2 x 31.75

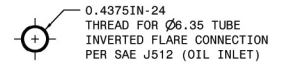
**Compressor Outlet**

HOSE CONNECTIONS  
TABULATED AS ( $\varnothing$  x L)



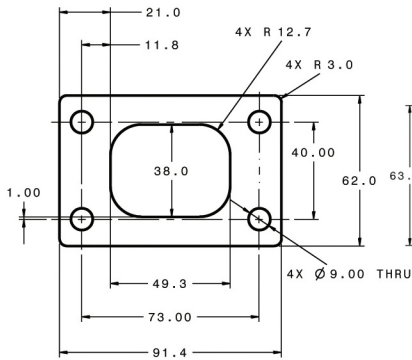
$\varnothing$  51 x 30

**Oil Inlet**



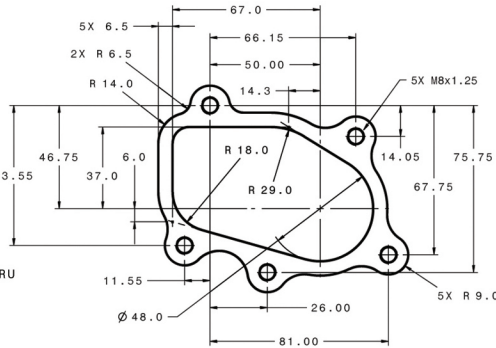
**Turbine Inlet**

"T25"

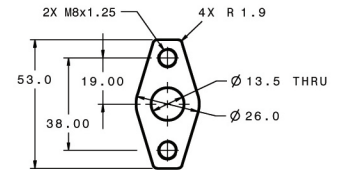


**Turbine Outlet**

"5 BOLT"



**Oil Outlet**



**Water**

M14 x 1.50

