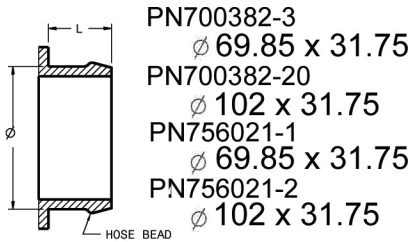


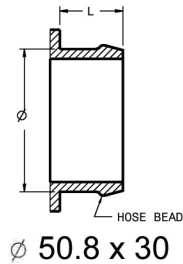
**Compressor Inlet**

HOSE CONNECTIONS  
TABULATED AS (Ø x L)

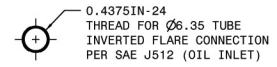


**Compressor Outlet**

HOSE CONNECTIONS  
TABULATED AS (Ø x L)

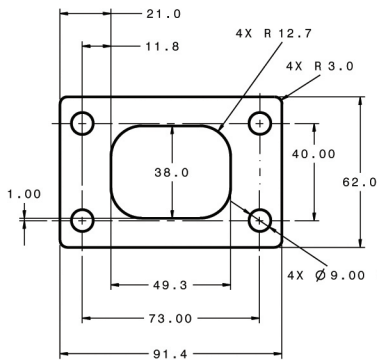


**Oil Inlet**



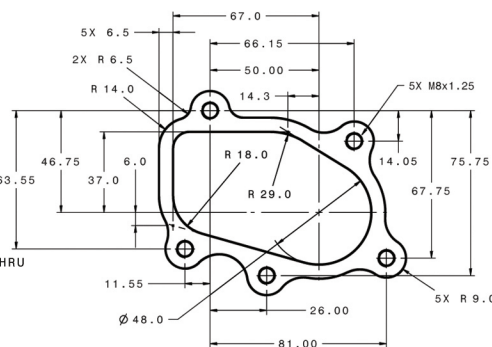
**Turbine Inlet**

"T25"

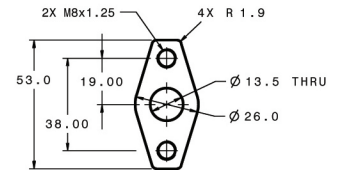


**Turbine Outlet**

"5 BOLT"



**Oil Outlet**



Water

M14 x 1.50

