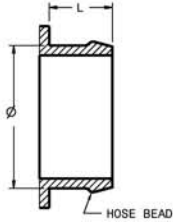


# Garrett<sup>®</sup> GTX3582R

by Honeywell 803715-1

## Compressor Inlet

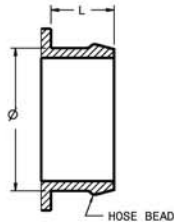
HOSE CONNECTIONS  
TABULATED AS (Ø x L)



Ø 103.6 x 31.75

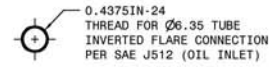
## Compressor Outlet

HOSE CONNECTIONS  
TABULATED AS (Ø x L)



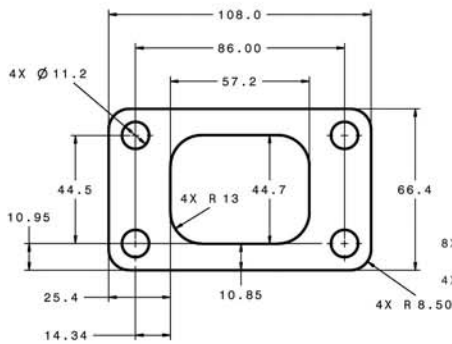
Ø 63.5 x 30

## Oil Inlet



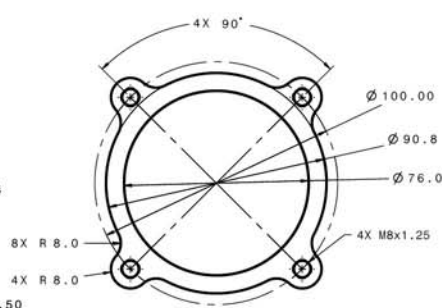
## Turbine Inlet

"T3" PN740902-4, 5, 6, 10, 11, 12

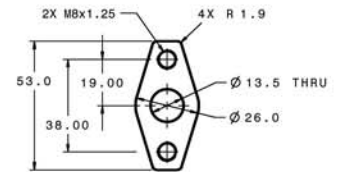


## Turbine Outlet

"3-INCH 4 BOLT" PN740902-4, 5, 6



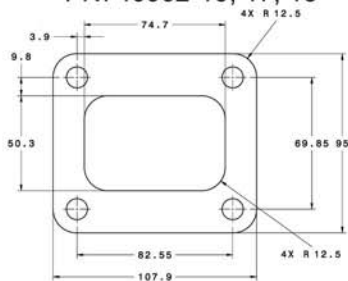
## Oil Outlet



## Water

M14 x 1.50

"T4 UNDIVIDED" PN740902-16, 17, 18



PN740902-10, 11, 12, 13, 14, 15, 16

