

# HYPHERPRO

## STEERING DAMPER MOUNTING KIT for HONDA ST1300 Pan European Model 2001➤

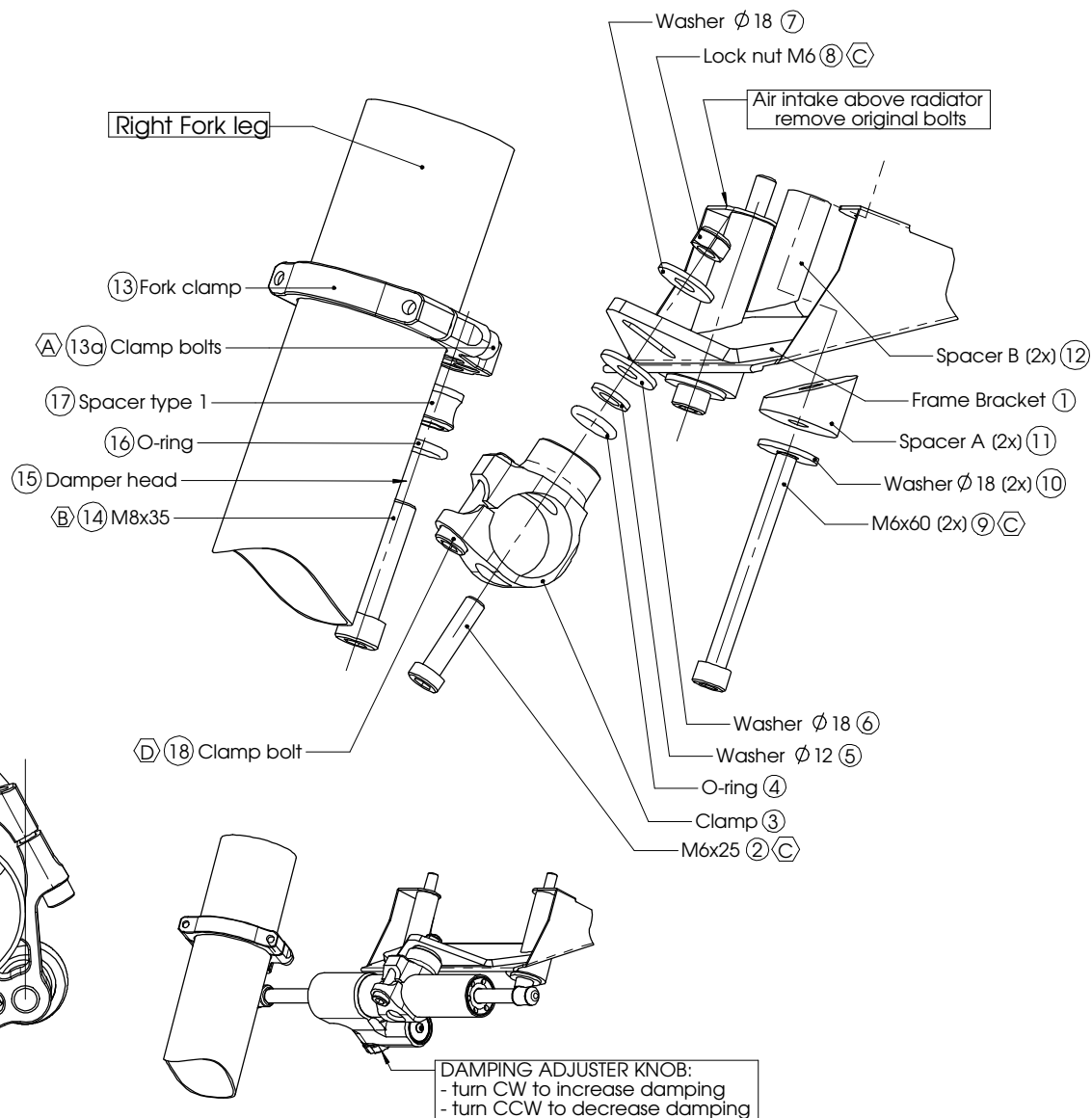
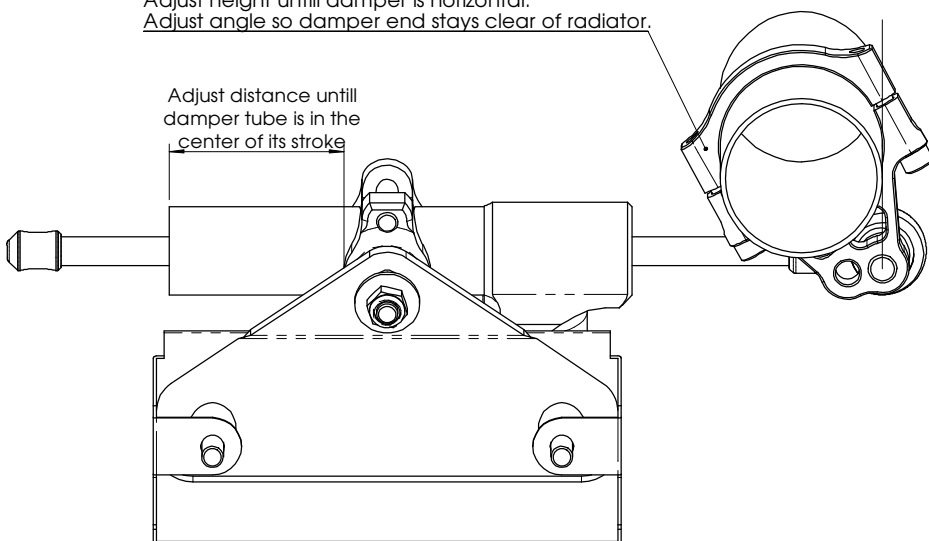
### MK-HO13-B001 PART LIST

|                         |   |                     |   |
|-------------------------|---|---------------------|---|
| SD stroke 75            | 1 | M6x25 Low head      | 1 |
| Tube Clamp TYPE 3       | 1 | M6x65               | 2 |
| Fork clamp $\phi$ 45    | 1 | M8x35               | 1 |
| Laser cut Frame Bracket | 1 | Lock nut M6         | 1 |
| Spacer Type 1           | 1 | Washer M6 $\phi$ 12 | 1 |
| Spacer A                | 2 | Washer M6 $\phi$ 18 | 4 |
| Spacer B                | 2 | -                   | - |
| O-ring                  | 2 | -                   | - |

ALL IDEAS, DESIGNS ARRANGEMENTS AND PLANS INDICATED OR REPRESENTED BY THIS DRAWING ARE OWNED BY HYPERPRO AND WERE CREATED, EVOLVED AND DEVELOPED FOR USE ON AND IN CONNECTION WITH THE SPECIFIC PROJECT. NONE SUCH IDEAS, DESIGNS, ARRANGEMENTS OR PLANS SHALL BE USED BY OR DISCLOSED TO ANY PERSON, FIRM OR CORPORATION FOR ANY PURPOSE WHATSOEVER WITHOUT THE WRITTEN PERMISSION OF HYPERPRO.

Adjust height until damper is horizontal.  
Adjust angle so damper end stays clear of radiator.

Adjust distance until damper tube is in the center of its stroke



1  
of 1

A 8Nm / 70Lbs.In / 5.9Lbs.Ft

C 5-9Nm / 44-80Lbs.In / 4.0-6.4Lbs.Ft

B 14-17Nm / 124-150Lbs.In / 10.3-12.5Lbs.Ft

D 6Nm / 53Lbs.In / 4.4Lbs.Ft

See [WWW.HYPERPRO.COM](http://WWW.HYPERPRO.COM) for the latest pictures, modifications, specs. and e-drawings of this steering damper kit.

# HYPERPRO

## STEERING DAMPER MOUNTING KIT

for

## HONDA ST1300 Pan European Model 2001➤

### MK-HO13-B001 INSTALLATION INSTRUCTIONS

#### In general:

HYPERPRO can not be held responsible in any way for any form of physical, material, financial or other damage arising from use, assembly or overhaul of HYPERPRO products. HYPERPRO reserves the right to make changes without prior notice.

This product is ONLY TO BE INSTALLED BY A PROFESSIONAL MECHANIC.

This product is only to be used for the motorcycle brand, model and year stated specifically on top of the pages of this manual.

DO NOT attempt to install this product on motorcycles from any different brand, model and/or year than stated on the pages of this manual.

DO NOT use this kit for cars, boats, jet-skies, snowmobiles, ATV's, aircraft, hovercrafts or any other vehicle and/or purpose.

HYPERPRO steering dampers are FOR RACE USE ONLY, NOT FOR HIGHWAY USE!

#### Before installation:

- Please read the entire manual carefully before starting the installation!
- Check if you have all the tools required. Good tools are a must.
- Protect your bike at the most important places in and around the work area (e.g. tank, fairing, frame, etc.) with a blanket, towel or similar.

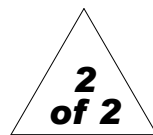
#### During installation:

- Check all operations and parts carefully before, during and after performing each step.
- Clean all surfaces that are required for fitting parts together or for applying self adhesives or loctite, thoroughly with contact cleaner or another degreaser, unless otherwise stated.
- Be careful not to damage or scratch any part of your bike.
- ALWAYS work relaxed and concentrated!! It is very easy to damage something or make a mistake.

#### After installation:

- Check and make sure that there is no contact between any part of the steering damper kit and any part of the motorcycle. The kit should not hit anything. Steering movement should not be limited by the steering damper. If the steering movement is limited, adjust the position of the tube in the clamp until steering movement is normal again. Do not forget to tighten the clamp bolt again!
- ALWAYS check the steering movement and feeling before each ride!
- FIRST RIDES: Start with the damper turned fully open (turn adjuster knob fully counter clockwise). Start adjusting in between rides with steps of MAX. 2 CLICKS (0.25 TURN) EACH TIME, until the damper is working satisfactory for your riding style.
- NEVER USE MAXIMUM SETTING, ALWAYS OPEN AT LEAST 2 CLICKS (0.25 TURN).

- WARNING ! DAMPER HAS AN ACTIVE / SPEEDSENSITIVE DAMPING SYSTEM;
  - Steering with NORMAL MOVEMENT should be FREE !!
  - Steering with FAST MOVEMENT should be CONTROLLED BY DAMPER !!
- HYPERPRO uses a special seal to reduce friction. The seal uses an oil film to work properly. It is normal that some oil can appear on the pistonrod.
- Damper works with oil: DAMPING CAN BE HARDER AT LOWER TEMPERATURES!



#### Step 1: frame bracket pre-assembly

Pre assemble the frame bracket using:

- Frame bracket (1)
- Bolt M6x25 low head (2)
- Tube Clamp (3)
- 1x O-ring (4)
- Washer M6 Ø 12 (5)
- 2x Washer M6 Ø 18 (6, 7)
- Lock nut M6 (8)

Fit the tube clamp (3) to the frame bracket (1), using the M6 bolt (2), o-ring (4), washers (5, 6, 7) and lock nut (8). Put the parts together in the correct order as shown on page 1. Position the assembly approx. in the middle of the slot of the frame bracket. Tighten the bolt and nut with a torque of approx. 5-9Nm/44-80Lbs.In/4.0-6.4Lbs.Ft

#### Step 2: installing the frame bracket assembly

Install the frame bracket assembly using:

- Frame bracket assembly (from step 1)
- 2x Bolt M6x65 (9)
- 2x Washer M6 Ø 18 (10)
- 2x Spacer A (11)
- 2x Spacer B (12)

Locate the air intake behind the front fork's lower triple tree, above the radiator. Remove the 2 rubber caps from the lower holes and remove the standard M6 bolts from the upper holes. Put the assembly together as shown on page 1: Place washers (10) and spacers A (11) over the M6 bolts (9). Place the frame bracket assembly on top of the bottom plane of the air intake. Place spacers B (12) on top of the frame bracket and use the bolts (9) in the original mount holes. Guide the cables on the right side (rider's view) around spacer B (12). Tighten the bolts with a torque of approx. 5-9Nm/44-80Lbs.In/4.0-6.4Lbs.Ft

#### Step 3: installing the fork clamp

Install the fork clamp using:

- Fork clamp assembly (13)

Make sure that the furthest M8 hole is on the outside and reassemble the fork clamp around the right fork leg (as shown on page 1). Height should be set at approximately 20mm below the lower triple tree. Once positioned correctly, fully tighten the bolts (13a) with a torque of approx. 8Nm/70Lbs.In/5.9Lbs.Ft.

#### Step 4: installing the steering damper

Install the steering damper using:

- Bolt M8x35 button head (14)
- Steering damper, stroke 75 (15)
- 1x O-ring (16)
- Spacer Type 1 (17)

Ensure that the clamp bolt of the Tube clamp is pointing forward in the riding direction. Shove the damper (15), with the end knob-side first, through the clamp until the ball joint can be fitted to the fork clamp (13). Use the M8 bolt (14), O-ring (16) and spacer (17) to fixate the balljoint to the fork clamp and tighten with a torque of approx. 14-17Nm/124-150Lbs.In/10.3-12.5Lbs.Ft. Position the damper tube until it is in the center of its stroke with handlebars straight. Then tighten the M6 clamp bolt (18) with a torque of approx. 6Nm/53Lbs.In/4.4Lbs.Ft. Check if the damper is level horizontally. Check if the damper does not touch anything (e.g. radiator) when steering from left to right. Check if the bike can make it's full steering angle from left to right.

Adjust the position of the fork clamp (13) or the tube clamp (3) if necessary.

**See [WWW.HYPERPRO.COM](http://WWW.HYPERPRO.COM) for the latest pictures, modifications, specs. and e-drawings of this steering damper kit.**