

# HYPHERPRO

## STEERING DAMPER MOUNTING KIT

for

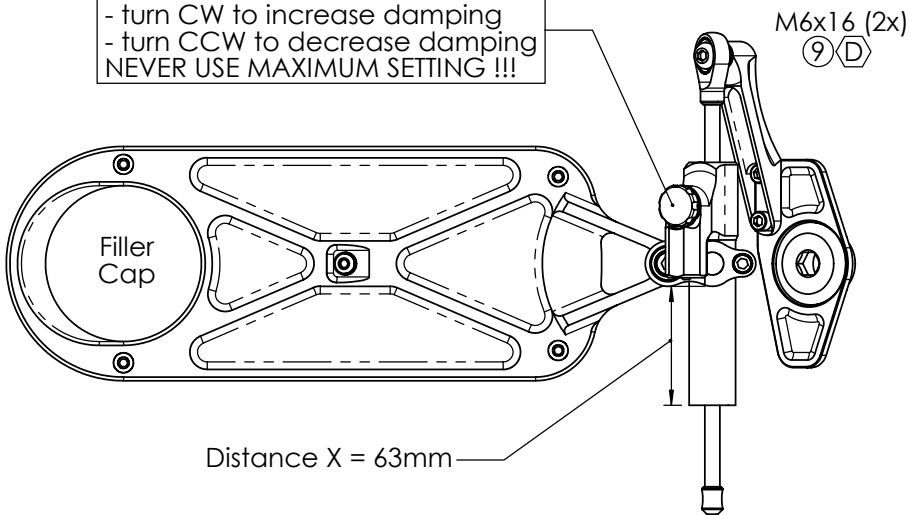
### KAWASAKI ZX-12R Model 2000 - 2001<

#### MK-KA12-T001 PART LIST

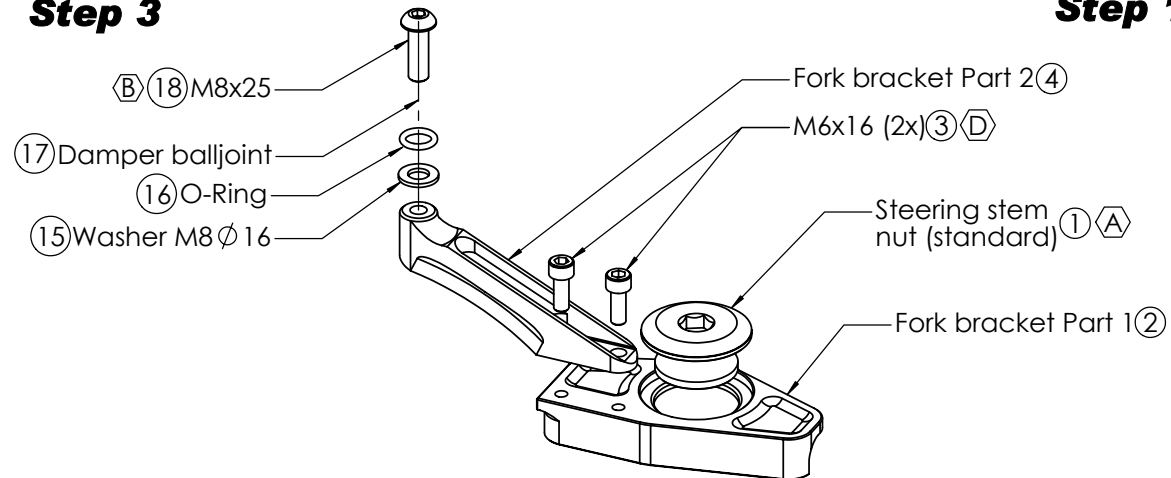
SD stroke 75	1	M6x16 Button head	4
Tube Clamp TYPE 1	1	M6x60 Button head	1
O-Ring 10 x 2	1	M6x16	2
O-Ring 10.3 x 2.4	1	M8x25 Button head	1
Fork Bracket Pt.1	1	M8x35 Low [special]	1
Fork Bracket Pt.2	1	Washer M8 Ø 16	1
CNC Tank Bracket	1	Washer M6 Ø 12	1
Spacer TYPE 1	1	Steel bracket Left	1
Spacer Ø 20 Ø 6.5 h=29.5	1	Steel bracket Right	1

ALL IDEAS, DESIGNS ARRANGEMENTS AND PLANS INDICATED OR REPRESENTED BY THIS DRAWING ARE OWNED BY HYPERPRO AND WERE CREATED, EVOLVED AND DEVELOPED FOR USE ON AND IN CONNECTION WITH THE SPECIFIC PROJECT. NONE SUCH IDEAS, DESIGNS, ARRANGEMENTS OR PLANS SHALL BE USED BY OR DISCLOSED TO ANY PERSON, FIRM OR CORPORATION FOR ANY PURPOSE WHATSOEVER WITHOUT THE WRITTEN PERMISSION OF HYPERPRO.

**DAMPING ADJUSTER KNOB:**  
- turn CW to increase damping  
- turn CCW to decrease damping  
**NEVER USE MAXIMUM SETTING !!!**

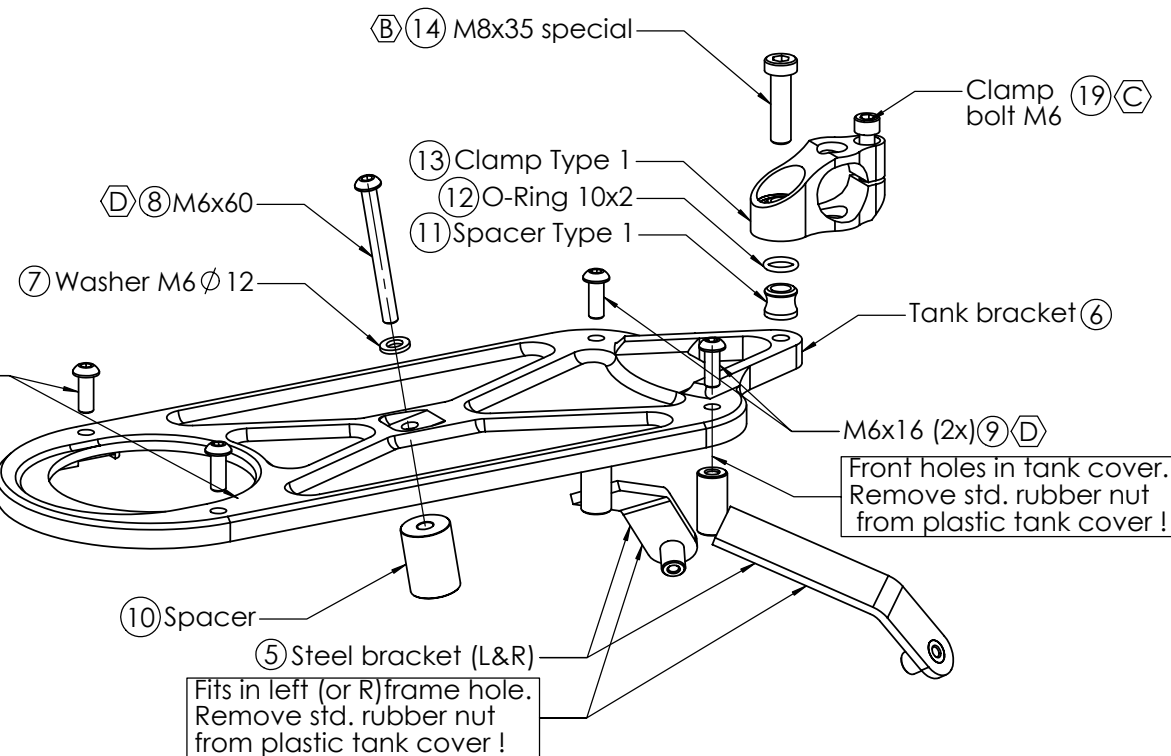


#### Step 3



#### Step 1

#### Step 2



Fits in left (or R) frame hole.  
Remove std. rubber nut  
from plastic tank cover !



- |   |   |
|---|---|
| (A) 55-75Nm / 486-663Lbs.In / 40-55Lbs.Ft     | (C) 6Nm / 53Lbs.In / 4.4Lbs.Ft          |
| (B) 14-17Nm / 124-150Lbs.In / 10.3-12.5Lbs.Ft | (D) 5-9Nm / 44-80Lbs.In / 4.0-6.4Lbs.Ft |

See [WWW.HYPERPRO.COM](http://WWW.HYPERPRO.COM) for the latest pictures, modifications, specs. and e-drawings of this steering damper kit.

# HYPERPRO

## STEERING DAMPER MOUNTING KIT

for

### KAWASAKI ZX-12R Model 2000 - 2001<

#### MK-KA12-T001 INSTALLATION INSTRUCTIONS

##### **In general:**

HYPERPRO can not be held responsible in any way for any form of physical, material, financial or other damage arising from use, assembly or overhaul of HYPERPRO products. HYPERPRO reserves the right to make changes without prior notice.

This product is ONLY TO BE INSTALLED BY A PROFESSIONAL MECHANIC.

This product is only to be used for the motorcycle brand, model and year stated specifically on top of the pages of this manual.

DO NOT attempt to install this product on motorcycles from any different brand, model and/or year than stated on the pages of this manual.

DO NOT use this kit for cars, boats, jet-skies, snowmobiles, ATV's, aircraft, hovercrafts or any other vehicle and/or purpose.

HYPERPRO steering dampers are FOR RACE USE ONLY, NOT FOR HIGHWAY USE!

##### **Before installation:**

- Please read the entire manual carefully before starting the installation!
- Check if you have all the tools required. Good tools are a must.
- Protect your bike at the most important places in and around the work area (e.g. tank, fairing, frame, etc.), with a blanket, towel or similar.

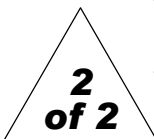
##### **During installation:**

- Check all operations and parts carefully before, during and after performing each step.
- Clean all surfaces that are required for fitting parts together or for applying self adhesives or loctite, thoroughly with contact cleaner or another degreaser, unless otherwise stated.
- Be careful not to damage or scratch any part of your bike.
- ALWAYS work relaxed and concentrated!! It is very easy to damage something or make a mistake.

##### **After installation:**

- Check and make sure that there is no contact between any part of the steering damper kit and any part of the motorcycle. The kit should not hit anything. Steering movement should not be limited by the steering damper. If the steering movement is limited, adjust the position of the tube in the clamp until steering movement is normal again. Do not forget to tighten the clamp bolt again!
- ALWAYS check the steering movement and feeling before each ride!
- FIRST RIDES: Start with the damper turned fully open (turn adjuster knob fully counter clockwise). Start adjusting in between rides with steps of MAX. 2 CLICKS (0.25 TURN) EACH TIME, until the damper is working satisfactory for your riding style.
- NEVER USE MAXIMUM SETTING, ALWAYS OPEN AT LEAST 2 CLICKS (0.25 TURN).

- WARNING ! DAMPER HAS AN ACTIVE / SPEEDSENSITIVE DAMPING SYSTEM;
  - Steering with NORMAL MOVEMENT should be FREE !!
  - Steering with FAST MOVEMENT should be CONTROLLED BY DAMPER !!
- HYPERPRO uses a special seal to reduce friction. The seal uses an oil film to work properly. It is normal that some oil can appear on the pistonrod.
- Damper works with oil: DAMPING CAN BE HARDER AT LOWER TEMPERATURES!



##### **Step 1: installing the fork bracket assembly**

- Fork bracket part 1 (2)
- 2x Bolt M6x16 (3)
- Fork bracket part 2 (4)

Remove the standard steering stem nut (1) from the top triple tree. Install bracket part 1 (2). Replace the standard steering stem nut (1) and tighten carefully to a torque of approx.

55-75Nm/489-663Lbs.In/40-55Lbs.Ft.

Install bracket part 2 (4) on part 1 (2), using the 2 supplied M6x16 bolts (3) and tighten the bolts with a torque of approx. 5-9Nm/44-80Lbs.In/4.0-6.4Lbs.Ft.

##### **Step 2: installing the tank bracket assembly**

- 2x (1x Left, 1x Right) Steel support bracket (5)
- Tank bracket (6)
- Washer M6  $\phi$  12 (7)
- 1x M6x60 Button head (8)
- 4x M6x16 Button head (9)
- Spacer (10)
- Spacer Type 1 (11)
- 1x O-Ring 10x2 (12)
- TubeClamp TYPE 1 (13)
- M8x35 Low head [Special] (14)

Remove the standard black tankcover using a #5 allen key. Remove the seat and the plastic tank cover off the bike.

Remove the standard M6 bolt, to be found in the centre of the tank underneath the black cover.

Place the steel brackets in the frame holes so that the M6 threaded spacers point straight up.

Remove the rubber nuts from the front of the plastic tank cover (2x top, 2x bottom) and reposition it over the steel brackets, tank and frame. Make sure that the M6 holes of the steel brackets are inline.

Place the bolts + washer (7,8,9) in the correct holes in the tank bracket (6) as shown on page 1.

Position spacer (10) under the bracket over the thread of the M6x60 bolt (8) and HOLD while placing the complete bracket in place of the standard tankcover. Tighten the bolts lightly and equally for positioning, check if you can open the filler cap, then use a torque of approx. 5-9Nm/44-80Lbs.In/

4.0-6.4Lbs.Ft on bolts (8) & (9). Reposition and tighten all the tank and seat bolts and washers.

Place the Spacer Type 1 (11), O-Ring 10x2 (12) and clamp type 1 (13) over the M8 hole and

tighten with the M8x35 (14). Use a torque of approx. 14-17Nm/124-150Lbs.In/10.3-12.5Lbs.Ft.

##### **Step 3: installing the steering damper**

- Washer M8  $\phi$  16 (15)
- 1x O-ring 10.3x2.4 (16)
- Steering damper (17)
- Bolt M8x25 button head (18)

Ensure that the clamp bolt of the Tube clamp is pointing forward. Shove the damper (17), with the end knob-side first, through the clamp until the ball joint can be fitted to the fork bracket.

Use the washer (15), O-ring (16) and M8 bolt (18) to fixate the balljoint to the fork bracket and

tighten with a torque of approx. 14-17Nm/124-150Lbs.In/10.3-12.5Lbs.Ft.

Position the damper tube until the distance "X" (=63mm) stated on page 1 is reached, then tighten the M6 clamp bolt (19) with a torque of approx. 6Nm/53Lbs.In/4.4Lbs.Ft.

Check if the damper is level horizontally and aligned to the bike. Check if the damper does not touch anything (e.g. tank) when steering from left to right. Check if the bike can make it's full steering angle from left to right.

See [WWW.HYPERPRO.COM](http://WWW.HYPERPRO.COM) for the latest pictures, modifications, specs. and e-drawings of this steering damper kit.