

# HYPHERPRO

## STEERING DAMPER MOUNTING KIT

for

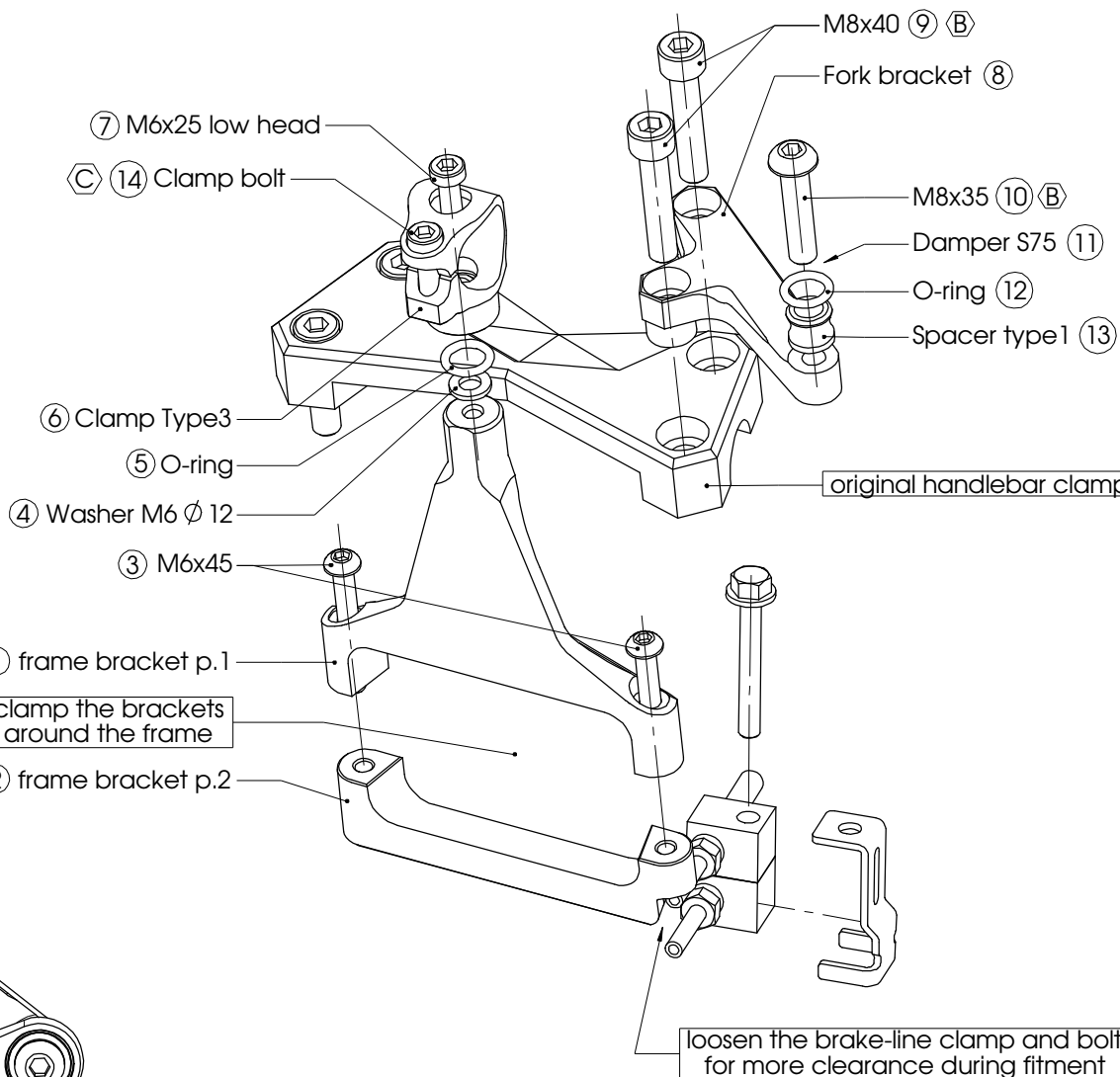
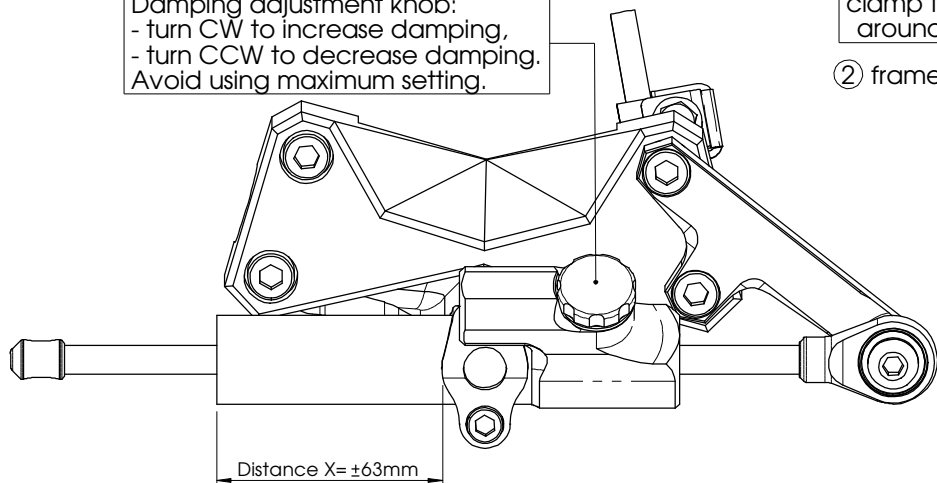
**KAWASAKI Z750 '04>  
& Z1000 '03> incl. ABS**

### MK-KA10-T005 PART LIST

SD stroke 75	1	M8x35 Button head	1
Tube Clamp Type 3	1	M8x40	2
O-Ring	2	Washer M6 Ø 12	1
Fork Bracket (FOMK49)	1	Spacer Type1	1
Tank Bracket 1 (TAMK42-1)	1	-	-
Tank Bracket2 (TAMK42-2A)	1	-	-
M6x25 Low head	1	-	-
M6x45 Button head	2	-	-

ALL IDEAS, DESIGNS ARRANGEMENTS AND PLANS INDICATED OR REPRESENTED BY THIS DRAWING ARE OWNED BY HYPERPRO AND WERE CREATED, EVOLVED AND DEVELOPED FOR USE ON AND IN CONNECTION WITH THE SPECIFIC PROJECT. NONE SUCH IDEAS, DESIGNS, ARRANGEMENTS OR PLANS SHALL BE USED BY OR DISCLOSED TO ANY PERSON, FIRM OR CORPORATION FOR ANY PURPOSE WHATSOEVER WITHOUT THE WRITTEN PERMISSION OF HYPERPRO.

Damping adjustment knob:  
- turn CW to increase damping,  
- turn CCW to decrease damping.  
Avoid using maximum setting.



1  
of 2

Ⓐ 5-9Nm / 44-80Lbs.In / 4.0-6.4Lbs.Ft	Ⓒ 6Nm / 53Lbs.In / 4.4Lbs.Ft
Ⓑ 14-17Nm / 124-150Lbs.In / 10.3-12.5Lbs.Ft	

# HYPERPRO

## STEERING DAMPER MOUNTING KIT

for

**KAWASAKI Z750 '04>  
& Z1000 '03> incl. ABS**

### **MK-KA10-T005 INSTALLATION INSTRUCTIONS**

#### ***In general:***

HYPERPRO can not be held responsible in any way for any form of physical, material, financial or other damage arising from use, assembly or overhaul of HYPERPRO products. HYPERPRO reserves the right to make changes without prior notice.

This product is ONLY TO BE INSTALLED BY A PROFESSIONAL MECHANIC.

This product is only to be used for the motorcycle brand, model and year stated specifically on top of the pages of this manual.

DO NOT attempt to install this product on motorcycles from any different brand, model and/or year than stated on the pages of this manual.

DO NOT use this kit for cars, boats, jet-skies, snowmobiles, ATV's, aircraft, hovercrafts or any other vehicle and/or purpose.

HYPERPRO steering dampers are FOR RACE USE ONLY, NOT FOR HIGHWAY USE!

#### ***Before installation:***

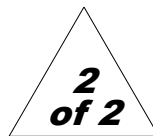
- Please read the entire manual carefully before starting the installation!
- Check if you have all the tools required. Good tools are a must.
- Protect your bike at the most important places in and around the work area (e.g. tank, fairing, frame, etc.) with a blanket, towel or similar.

#### ***During installation:***

- Check all operations and parts carefully before, during and after performing each step.
- Clean all surfaces that are required for fitting parts together or for applying self adhesives or loctite, thoroughly with contact cleaner or another degreaser, unless otherwise stated.
- Be careful not to damage or scratch any part of your bike.
- ALWAYS work relaxed and concentrated!! It is very easy to damage something or make a mistake.

#### ***After installation:***

- Check and make sure that there is no contact between any part of the steering damper kit and any part of the motorcycle. The kit should not hit anything. Steering movement should not be limited by the steering damper. If the steering movement is limited, adjust the position of the tube in the clamp until steering movement is normal again. Do not forget to tighten the clamp bolt again!
- ALWAYS check the steering movement and feeling before each ride !
- FIRST RIDES: Start with the damper turned fully open (turn adjuster knob fully counter clockwise). Start adjusting in between rides with steps of MAX. 2 CLICKS (0.25 TURN) EACH TIME, until the damper is working satisfactory for your riding style.
- NEVER USE MAXIMUM SETTING, ALWAYS OPEN AT LEAST 2 CLICKS (0.25 TURN).
- WARNING ! DAMPER HAS AN ACTIVE / SPEEDSENSITIVE DAMPING SYSTEM;
  - Steering with NORMAL MOVEMENT should be FREE !!
  - Steering with FAST MOVEMENT should be CONTROLLED BY DAMPER !!
- HYPERPRO uses a special seal to reduce friction. The seal uses an oil film to work properly. It is normal that some oil can appear on the pistonrod.
- Damper works with oil: DAMPING CAN BE HARDER AT LOWER TEMPERATURES!



#### ***Step 1: installing the tank bracket***

Install the tank bracket using:

- Tank bracket 1 (1)
- Tank bracket 2 (2)
- 2x Bolt M6x45 Button head (3)

Loosen the brake-line mounting bolt and clamp from the right side of the frame, in front of the tank. Place the lower tank bracket (2) underneath the frame tubes in front of the tank. Place the top tank bracket (1) over the frame in front of the tank. Use the supplied M6x45 bolts (3) to clamp both parts around the frame. Tighten the bolts with a torque of approx. 5-9Nm/44-80Lbs.In/4.0-6.4Lbs.Ft. Refit the brake-line mounting bolt and clamp.

#### ***Step 2: installing the damper clamp***

Install the damper clamp using:

- Washer M6  $\phi$  12 (4)
- 1x O-Ring (5)
- TubeClamp TYPE 3 (6)
- Bolt M6x25 Low head (7)

Put the assembly together as shown on page 1: put the M6 bolt (7) through the tube clamp (6), the O-ring (5) and the washer (4) and screw it into the threaded hole on top of the bracket (1). Tighten the bolt with a torque of approx. 5-9Nm/44-80Lbs.In/4.0-6.4Lbs.Ft.

#### ***Step 3: installing the fork bracket***

Install the fork bracket pre-assembly using:

- Fork bracket (8)
- 2x Bolt M8x40 (9)

Remove the protection caps from the right-hand handlebar clamp bolts. Loosen and remove the M8 clamp bolts. Place the fork bracket over the handlebar clamp (see picture on page 1) and use the supplied M8x40 bolts (9) instead of the original bolts. Tighten the bolts with a torque of approx. 14-17Nm/124-150Lbs.In/10.3-12.5Lbs.Ft. Replace the protection caps on the heads of the bolts.

#### ***Step 4: installing the steering damper***

Install the steering damper using:

- Bolt M8x35 button head (10)
- Steering damper, stroke 75 (11)
- 1x O-ring (12)
- Spacer Type1 (13)

Ensure that the clamp bolt of the Tube clamp is pointing backwards. Shove the damper (14), with the end-knob side first, through the clamp until the ball joint end can be fitted to the fork bracket. Use the M8 bolt (10) to fixate the balljoint to the fork bracket, with the O-ring (12) and spacer (13) in between (see picture on page 1). Tighten with a torque of approx. 14-17Nm/124-150Lbs.In/10.3-12.5Lbs.Ft. Position the damper tube until the distance "X" stated on page 1 is reached, then tighten the M6 clamp bolt (14) with a torque of approx. 6Nm/53Lbs.In/4.4Lbs.Ft. Check if the damper is level horizontally and aligned to the bike. Check if the damper does not touch anything (e.g. tank) when steering from left to right. Check if the bike can make it's full steering angle from left to right.