

HYPERPRO

STEERING DAMPER MOUNTING KIT

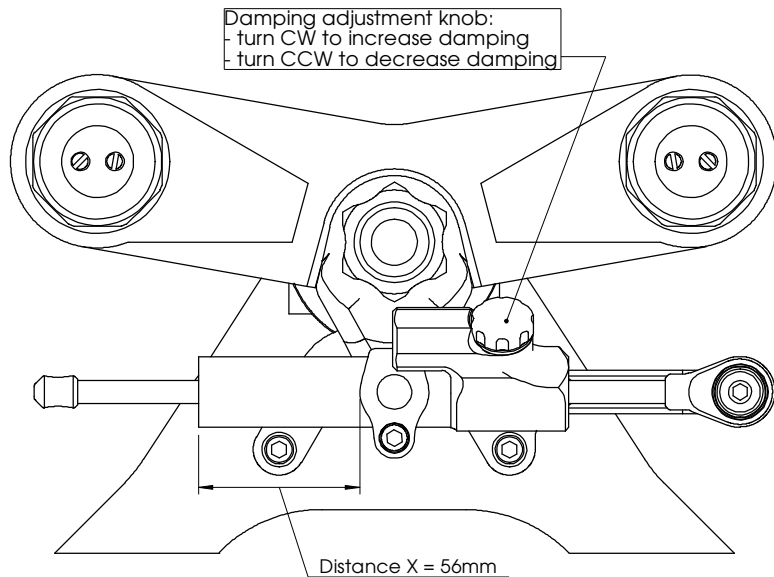
for

SUZUKI GSX-R 1000 Model 2009>

MK-SU10-T009 PART LIST

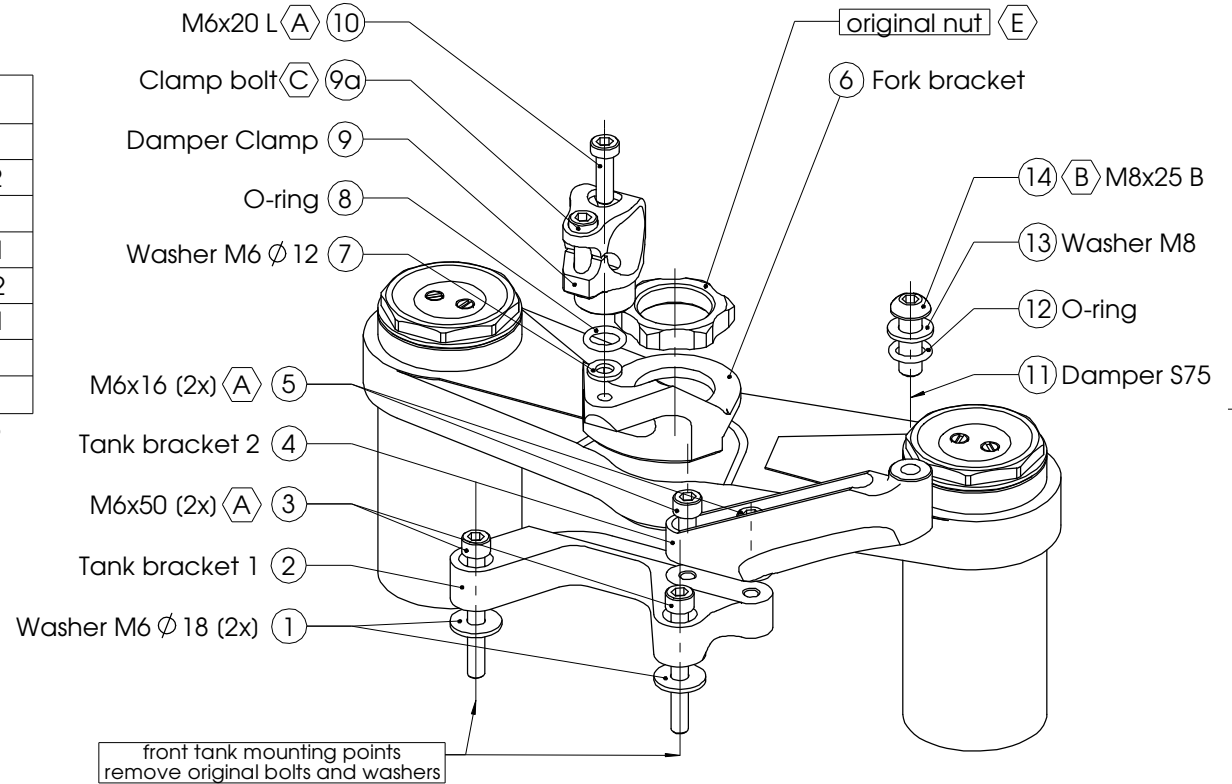
SD stroke 75	1	M6x20 Low head	1
Damper Clamp (DB0003)	1	M6x50	2
Elec. resistor (ELEC01)	1	M8x25 Button head	1
Fork Bracket (FOMK80)	1	Washer M6 Ø 12	1
Tank Bracket 1 (TAMK71)	1	Washer M6 Ø 18	2
Tank Bracket 2 (TAMK27-2)	1	Washer M8 Ø 16	1
O-ring	2	-	-
M6x16	2	-	-

ALL IDEAS, DESIGNS ARRANGEMENTS AND PLANS INDICATED OR REPRESENTED BY THIS DRAWING ARE OWNED BY HYPERPRO AND WERE CREATED, EVOLVED AND DEVELOPED FOR USE ON AND IN CONNECTION WITH THE SPECIFIC PROJECT. NONE SUCH IDEAS, DESIGNS, ARRANGEMENTS OR PLANS SHALL BE USED BY OR DISCLOSED TO ANY PERSON, FIRM OR CORPORATION FOR ANY PURPOSE WHATSOEVER WITHOUT THE WRITTEN PERMISSION OF HYPERPRO.



Step 1 : remove original steering damper

Step 2 : fit Hyperpro electrical resistor



* TORQUES

A: 5-9Nm / 44-80Lbs.In / 4.0-6.4Lbs.Ft

B: 14-17Nm / 124-150Lbs.In / 10.3-12.5Lbs.Ft

C: 6Nm / 53Lbs.In / 4.4Lbs.Ft

D: 8Nm / 70Lbs.In / 5.9Lbs.Ft

E: 55Nm / 486Lbs.In / 40Lbs.Ft

F: Factory torque (see owners manual)

HYPERPRO

STEERING DAMPER MOUNTING KIT

for

SUZUKI GSX-R 1000 Model 2009>

MK-SU10-T009 INSTALLATION INSTRUCTIONS

In general:

HYPERPRO can not be held responsible in any way for any form of physical, material, financial or other damage arising from use, assembly or overhaul of HYPERPRO products. HYPERPRO reserves the right to make changes without prior notice.

This product is ONLY TO BE INSTALLED BY A PROFESSIONAL MECHANIC.

This product is only to be used for the motorcycle brand, model and year stated specifically on top of the pages of this manual.

DO NOT attempt to install this product on motorcycles from any different brand, model and/or year than stated on the pages of this manual.

DO NOT use this kit for cars, boats, jet-skies, snowmobiles, ATV's, aircraft, hovercrafts or any other vehicle and/or purpose.

HYPERPRO steering dampers are FOR RACE USE ONLY, NOT FOR HIGHWAY USE!

Before installation:

- Please read the entire manual carefully before starting the installation!
- Check if you have all the tools required. Good tools are a must.
- Protect your bike at the most important places in and around the work area (e.g. tank, fairing, frame, etc.), with a blanket, towel or similar.

During installation:

- Check all operations and parts carefully before, during and after performing each step.
- Clean all surfaces that are required for fitting parts together or for applying self adhesives or loctite, thoroughly with contact cleaner or another degreaser, unless otherwise stated.
- Be careful not to damage or scratch any part of your bike.
- ALWAYS work relaxed and concentrated!! It is very easy to damage something or make a mistake.

After installation:

- Check and make sure that there is no contact between any part of the steering damper kit and any part of the motorcycle. The kit should not hit anything. Steering movement should not be limited by the steering damper. If the steering movement is limited, adjust the position of the tube in the clamp until steering movement is normal again. Do not forget to tighten the clamp bolt again!
- ALWAYS check the steering movement and feeling before each ride!
- FIRST RIDES: Start with the damper turned fully open (turn adjuster knob fully counter clockwise). Start adjusting in between rides with steps of MAX. 2 CLICKS (0.25 TURN) EACH TIME, until the damper is working satisfactory for your riding style.
- NEVER USE MAXIMUM SETTING, ALWAYS OPEN AT LEAST 2 CLICKS (0.25 TURN).
- WARNING ! DAMPER HAS AN ACTIVE / SPEEDSENSITIVE DAMPING SYSTEM;
 - Steering with NORMAL MOVEMENT should be FREE !!
 - Steering with FAST MOVEMENT should be CONTROLLED BY DAMPER !!
- HYPERPRO uses a special seal to reduce friction. The seal uses an oil film to work properly. It is normal that some oil can appear on the pistonrod.
- Damper works with oil: DAMPING CAN BE HARDER AT LOWER TEMPERATURES!

Step 1: remove the original steering damper

Step 2: install Hyperpro electrical connector

Install the Hyperpro electrical resistor to the original steering damper connector. This will prevent the "SD" warning to go on.

Step 3: install the tank brackets

Install the tank brackets using:

- Tank bracket parts 1 and 2 (2 & 4)
- 2x Washer M6 \varnothing 18 (1)
- 2x Bolt M6x50 (3)
- 2x Bolt M6x16 (5)

Remove the 2 tank mounting bolts from the front of the tank.

Install Tank bracket 1 (2) to the front tank mounts using the washers (1) and the M6x50 bolts (3). Tighten the bolts with a torque of approx. 5-9Nm/44-80Lbs.In/4.0-6.4Lbs.Ft

Install Tank bracket 2 (4) on top of bracket 1 (2) using the M6x16 bolts (5). Tighten the bolts with a torque of approx. 5-9Nm/44-80Lbs.In/4.0-6.4Lbs.Ft

Step 4: install the fork bracket

Install the fork bracket using:

- Fork bracket (6)
- Washer M6 \varnothing 12 (7)
- 1x O-Ring (8)
- Damper Clamp (9)
- Bolt M6x20 Low head (10)

Loosen and remove the steering stem nut and standard washer.

Place the fork bracket (6) over the steering stem and align to the top yoke. Replace the nut on top of the fork bracket and tighten carefully with a torque of approx. 55Nm/486Lbs.In/40Lbs.Ft.

Use the M6 bolt (10) to fit the damper clamp (9), O-ring (8) and washer (7) to the fork bracket (6). Tighten the bolt with a torque of approx. 5-9Nm/44-80Lbs.In/4.0-6.4Lbs.Ft.

Step 5: installing the steering damper

Install the steering damper using:

- Steering damper, stroke 75 (11)
- 1x O-ring (12)
- Washer M8 \varnothing 16 (13)
- Bolt M8x25 button head (14)

Ensure that the clamp bolt of the damper clamp is pointing backward. Shove the damper (11), with the knob-end first, through the clamp until the ball joint can be fitted to the tank bracket (4). Use the M8 bolt (14), washer (13) and O-ring (12) to fit the balljoint to the tank bracket and tighten with a torque of approx. 14-17Nm/124-150Lbs.In/10.3-12.5Lbs.Ft. Position the damper tube until the distance "X" stated on page 1 is reached, then tighten the M6 clamp bolt (9a) with a torque of approx. 6Nm/53Lbs.In/4.4Lbs.Ft. Check if the damper is level horizontally and aligned to the bike. Check if the damper does not touch anything (e.g. tank) when steering from left to right. Check if the bike can make it's full steering angle from left to right.