

HYPHERPRO

STEERING DAMPER MOUNTING KIT

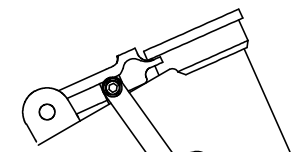
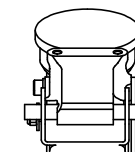
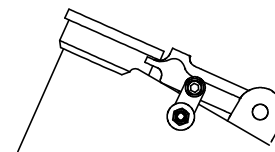
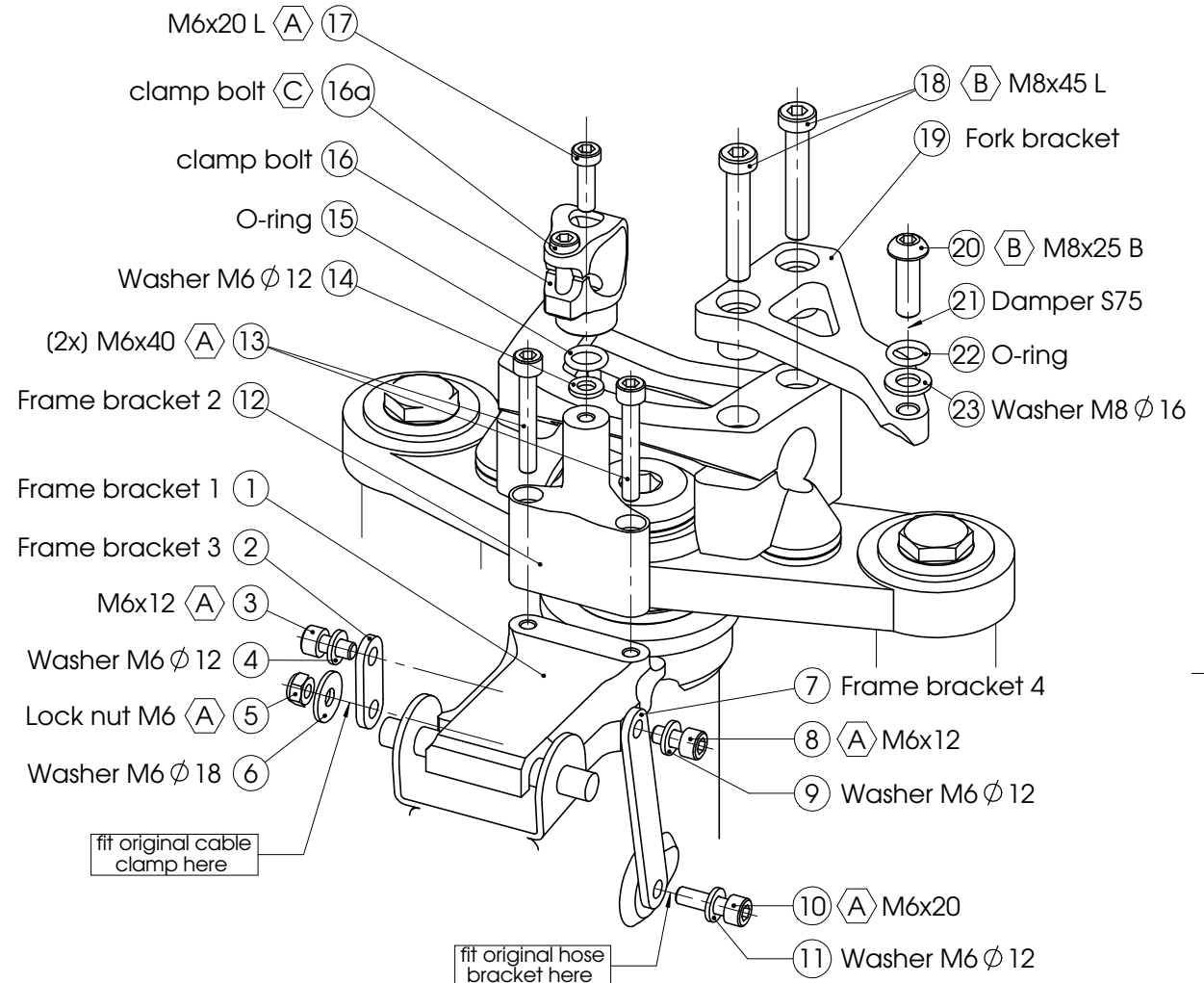
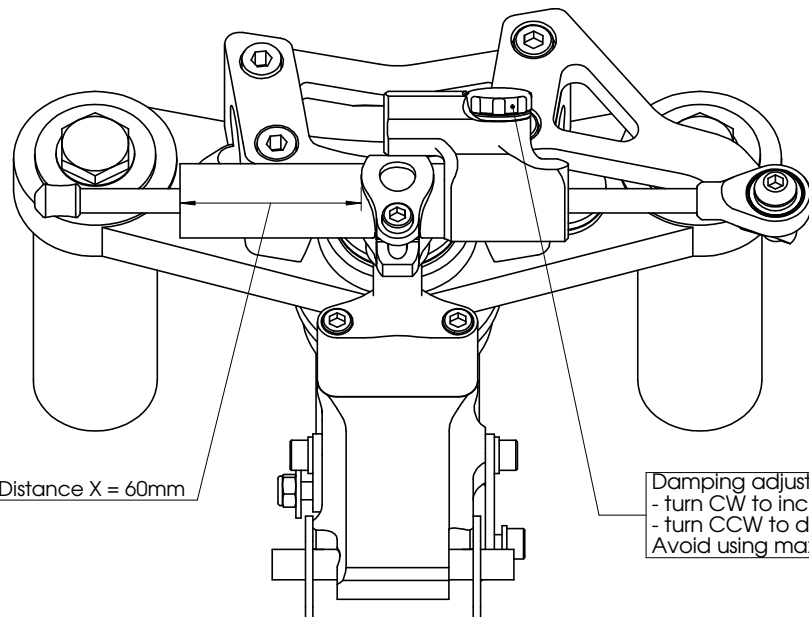
for

KAWASAKI ER-6 N / F Model 2009>

MK-KA06-T007 PART LIST

SD stroke 75	1	M6x20	1
Tube Clamp TYPE 3	1	M6x20 Low head	1
O-Ring	2	M6x40	2
Fork Bracket (FOMK83)	1	M8x25 Button head	1
Frame Bracket 1 (TAMK73-1)	1	M8x45 Low head	2
Frame Bracket 2 (TAMK73-2)	1	Lock nut M6	1
Frame Bracket 3 (TAMK73-3)	1	Washer M6 ϕ 12	4
Frame Bracket 4 (TAMK73-4)	1	Washer M6 ϕ 18	1
M6x12	2	Washer M8 ϕ 16	1

ALL IDEAS, DESIGNS ARRANGEMENTS AND PLANS INDICATED OR REPRESENTED BY THIS DRAWING ARE OWNED BY HYPERPRO AND WERE CREATED, EVOLVED AND DEVELOPED FOR USE ON AND IN CONNECTION WITH THE SPECIFIC PROJECT. NONE SUCH IDEAS, DESIGNS, ARRANGEMENTS OR PLANS SHALL BE USED BY OR DISCLOSED TO ANY PERSON, FIRM OR CORPORATION FOR ANY PURPOSE WHATSOEVER WITHOUT THE WRITTEN PERMISSION OF HYPERPRO.



* TORQUES	
A: 5-9Nm / 44-80Lbs.In / 4.0-6.4Lbs.Ft	D: 8Nm / 70Lbs.In / 5.9Lbs.Ft
B: 14-17Nm / 124-150Lbs.In / 10.3-12.5Lbs.Ft	E: 55Nm / 486Lbs.In / 40Lbs.Ft
C: 6Nm / 53Lbs.In / 4.4Lbs.Ft	F: Factory torque (see owners manual)

HYPERPRO

STEERING DAMPER MOUNTING KIT

for

KAWASAKI ER-6 N / F Model 2009>

MK-KA06-T007 INSTALLATION INSTRUCTIONS

In general:

HYPERPRO can not be held responsible in any way for any form of physical, material, financial or other damage arising from use, assembly or overhaul of HYPERPRO products. HYPERPRO reserves the right to make changes without prior notice.

This product is ONLY TO BE INSTALLED BY A PROFESSIONAL MECHANIC.

This product is only to be used for the motorcycle brand, model and year stated specifically on top of the pages of this manual.

DO NOT attempt to install this product on motorcycles from any different brand, model and/or year than stated on the pages of this manual.

DO NOT use this kit for cars, boats, jet-skies, snowmobiles, ATV's, aircraft, hovercrafts or any other vehicle and/or purpose.

HYPERPRO steering dampers are FOR RACE USE ONLY, NOT FOR HIGHWAY USE!

Before installation:

- Please read the entire manual carefully before starting the installation!
- Check if you have all the tools required. Good tools are a must.
- Protect your bike at the most important places in and around the work area (e.g. tank, fairing, frame, etc.), with a blanket, towel or similar.

During installation:

- Check all operations and parts carefully before, during and after performing each step.
- Clean all surfaces that are required for fitting parts together or for applying self adhesives or loctite, thoroughly with contact cleaner or another degreaser, unless otherwise stated.
- Be careful not to damage or scratch any part of your bike.
- ALWAYS work relaxed and concentrated!! It is very easy to damage something or make a mistake.

After installation:

- Check and make sure that there is no contact between any part of the steering damper kit and any part of the motorcycle. The kit should not hit anything. Steering movement should not be limited by the steering damper. If the steering movement is limited, adjust the position of the tube in the clamp until steering movement is normal again. Do not forget to tighten the clamp bolt again!
- ALWAYS check the steering movement and feeling before each ride !
- FIRST RIDES: Start with the damper turned fully open (turn adjuster knob fully counter clockwise). Start adjusting in between rides with steps of MAX. 2 CLICKS (0.25 TURN) EACH TIME, until the damper is working satisfactory for your riding style.
- NEVER USE MAXIMUM SETTING, ALWAYS OPEN AT LEAST 2 CLICKS (0.25 TURN).
- WARNING ! DAMPER HAS AN ACTIVE / SPEEDSENSITIVE DAMPING SYSTEM;
 - Steering with NORMAL MOVEMENT should be FREE !!
 - Steering with FAST MOVEMENT should be CONTROLLED BY DAMPER !!
- HYPERPRO uses a special seal to reduce friction. The seal uses an oil film to work properly. It is normal that some oil can appear on the pistonrod.
- Damper works with oil: DAMPING CAN BE HARDER AT LOWER TEMPERATURES!

Step 1: install the frame bracket

Install the tank bracket using:

- Tank brackets 1, 2, 3, 4 (1, 2, 7, 12)
- 2x Bolt M6x12 (3, 8)
- Bolt M6x20 (10)
- 2x Bolt M6x40 (13)
- Lock nut M6 (5)
- 3x Washer M6 ϕ 12 (4, 9, 11)
- Washer M6 ϕ 18 (6)

Remove the seat and the tank.

Fit tank bracket 1 (1) to the frame, by first shoving the rounded front end against the steering head and then pushing down on the back.

Fit frame brackets 3 (2) to the left side of the main bracket and the frame. Remove the original nut and the "cable clip" from the frame. Fit the frame bracket (2) directly against the frame and use the supplied M6x12 bolt (3) + washer ϕ 12 (4) and M6 lock nut (5) + washer ϕ 18 (6).

Fit frame brackets 4 (7) to the right side of the main bracket and the frame. Remove the original hose clamp bolt and fit the bracket (7) directly against the frame, under the hose clamp plate. Use the supplied M6x12 bolt (3) + washer ϕ 12 (4) and M6 lock nut (5) + washer ϕ 18 (6).

Tighten the bolts and nut to a torque of approx. 5-9Nm/44-80Lbs.In/4.0-6.4Lbs.Ft

Step 2: install the damper clamp

Install the damper clamp using:

- Washer M6 ϕ 12 (14)
- O-Ring (15)
- Damper Clamp (16)
- Bolt M6x20 Low head (17)

Put the assembly together as shown on page 1: put the M6 bolt (17) through the damper clamp (16), the O-ring (15) and the washer (14) and screw it into the threaded hole on top of the bracket (12). Tighten the bolt with a torque of approx. 5-9Nm/44-80Lbs.In/4.0-6.4Lbs.Ft.

Step 3: install the fork bracket

Install the fork bracket using:

- 2x Bolt M8x45 L (18)
- Fork bracket (19)

Loosen and remove the right-hand handlebar clamp bolts. Install the fork bracket (19) and use the supplied M8x45 bolts (18) instead of the original bolts. Tighten the bolts to a torque of approx. 14-17Nm/124-150Lbs.In/10.3-12.5Lbs.Ft.

Step 4: install the steering damper

Install the steering damper using:

- Bolt M8x25 button head (20)
- Steering damper, stroke 75 (21)
- 1x O-ring (22)
- Washer M8 ϕ 16 (23)

Ensure that the clamp bolt (16a) is pointing to the rear. Shove the damper (21), with the knob-end first, through the clamp until the ball joint can be fitted to the fork bracket. Use the M8 bolt (20), O-ring (22) and washer (23) to mount the balljoint to the fork bracket and tighten to a torque of approx. 14-17Nm/124-150Lbs.In/10.3-12.5Lbs.Ft.

Position the damper tube until the distance "X" stated on page 1 is reached, then tighten the clamp bolt (15) with a torque of approx. 6Nm/53Lbs.In/4.4Lbs.Ft. Check if the damper is level horizontally and aligned to the bike. Check if the damper does not touch anything (e.g. tank) when steering from left to right. Check if the bike can make it's full steering angle from left to right.