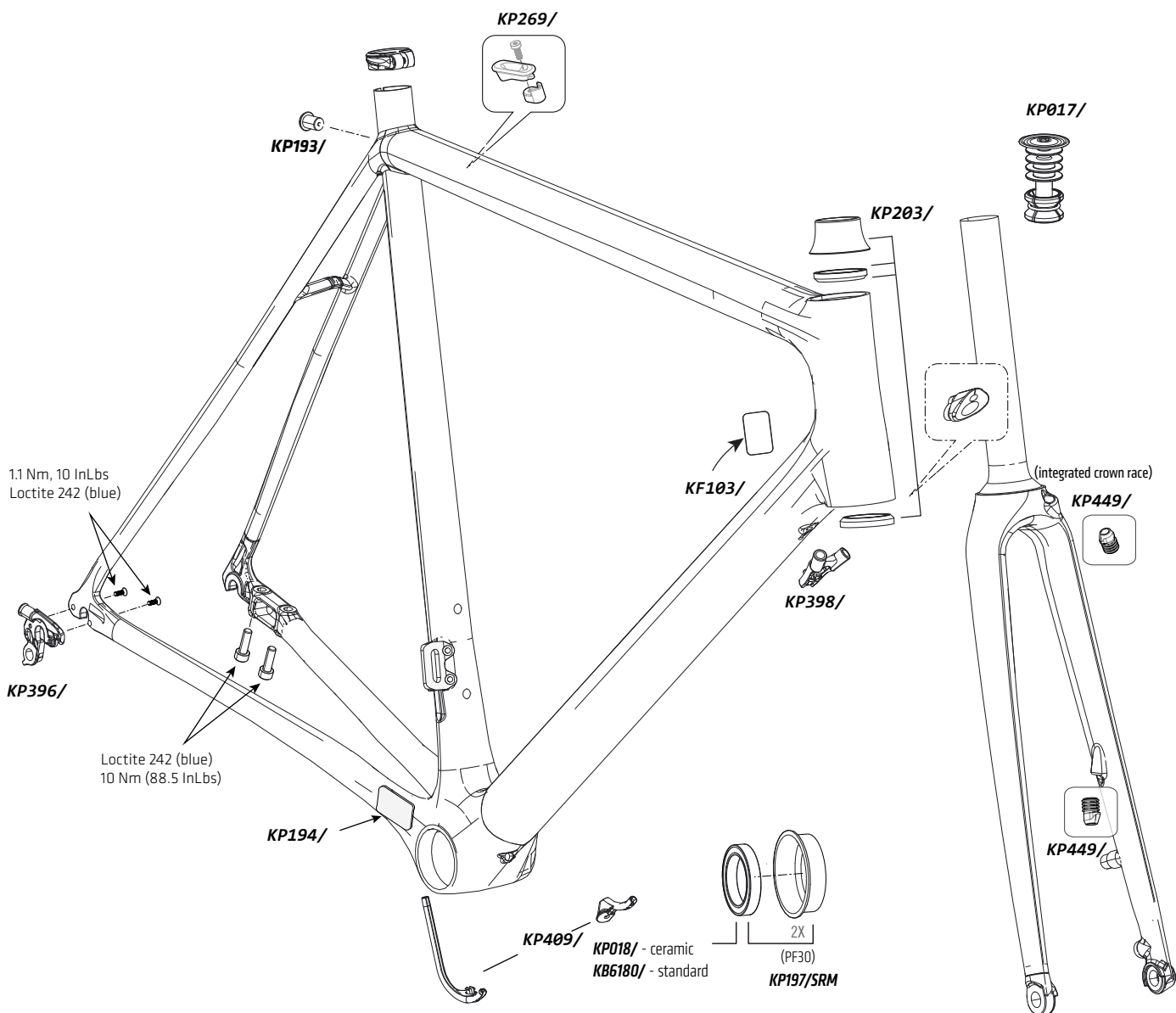


SUPERSIX EVO HM (DISC 2017)

SUPERSIX EVO (DISC 2017)

HEAD TUBE	Upper 1 1/8" Campagnolo Hiddesenset, Lower 1 1/4"		
BB SHELL TYPE-WIDTH	BB30A - 73 mm		
SEAT POST DIAMETER	25.4mm		
FRONT DERAILLEUR	Braze-On		
REAR DROPOUT SPACING	130 mm		
INTENDED USE	ASTM Condition 1, High-Performance Road		
MINIMUM SEAT POST INSERT	90mm		
MAXIMUM WEIGHT LIMIT (LBS/KG)	Rider	LUGGAGE*	TOTAL
*(SEAT BAG ONLY)	275/125	10/4.5	285/129



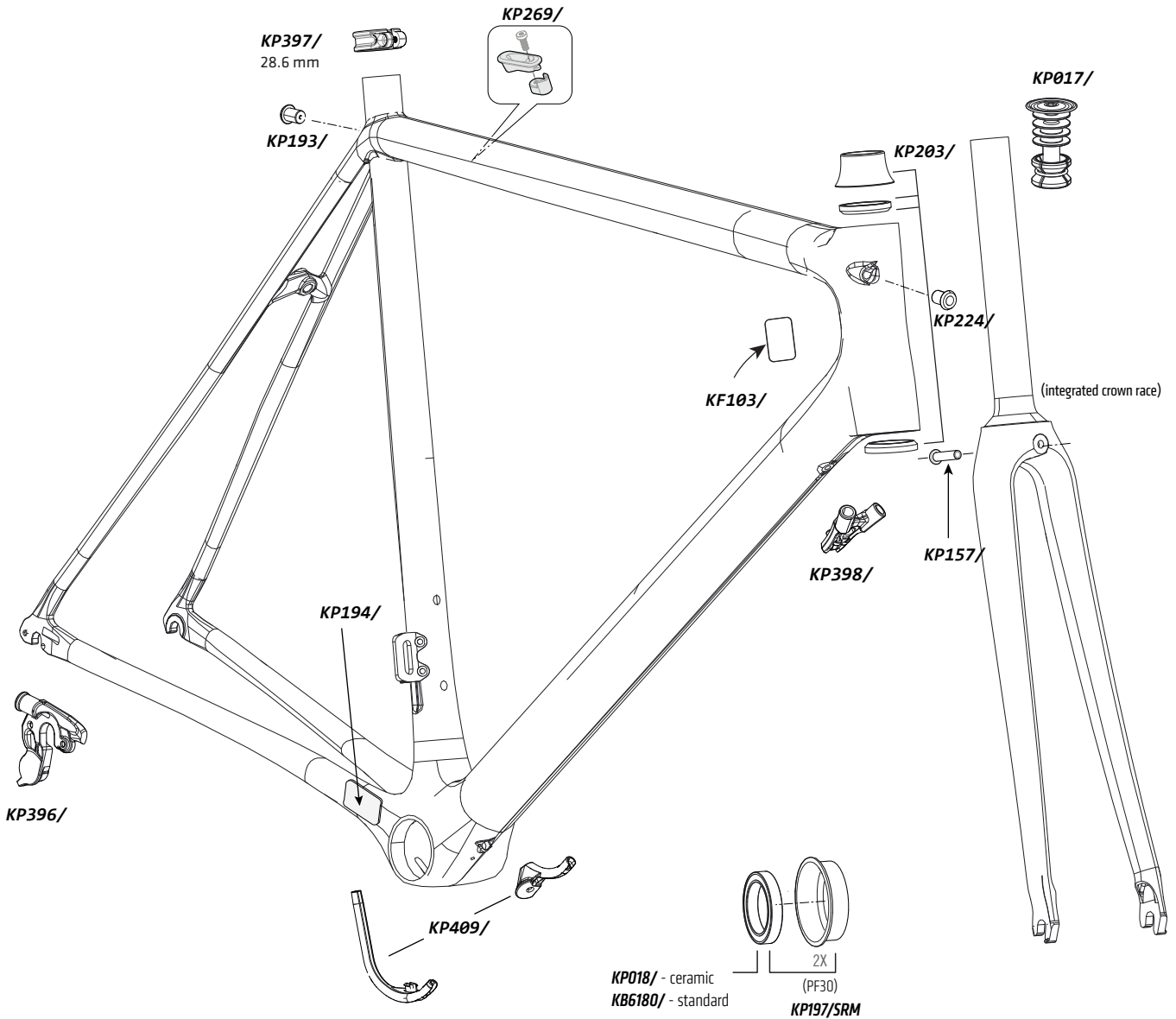
CODE	DESCRIPTION
KF115/	KIT GEL DYNAMIC CARBN SEATPOST
KP203/	KIT HEADSET SUPERSIX EVO CRB
KP395/	KIT, DER HANGER , EVO II, MECH
KP396/	KIT, DER HANGER , EVO II, DI2
KP397/	KIT, SEATBINDER, ROAD, 28.6
KP398/	KIT, DOWNTUBE CABLE STOP, EVO II

CODE	DESCRIPTION
KP409/	KIT, CABLE GUIDES, EVO II
KP193/	KIT GUIDE BRAKE SUPERSIX EVO
KP269/	KIT GUIDE BRAKE SUPERSIX EVO WMNS 44-48
KF103/	KIT GUARD SCUFFGUARD 8PK
KP197/SRM	KIT BEARING BB-PRESFIT30 SRM
KP449/	KIT RUBBER PLUGS

SUPERSIX EVO HM (RIM 2016-2017)

SUPERSIX EVO (RIM 2017)

HEAD TUBE	Upper 1 1/8" Campagnolo Hiddesenset, Lower 1 1/4"		
BB SHELL TYPE/WIDTH	BB30A-73 mm		
SEAT POST DIAMETER	25.4mm		
FRONT DERAILLEUR	Braze-On		
REAR DROPOUT SPACING	130 mm		
INTENDED USE	ASTM Condition 1, High-Performance Road		
MINIMUM SEAT POST INSERT	90mm		
MAXIMUM WEIGHT LIMIT (LBS/KG)	Rider	LUGGAGE*	TOTAL
*(SEAT BAG ONLY)	275/125	10/4.5	285/129



CODE	DESCRIPTION
KF115/	KIT GEL DYNAMIC CARBN SEATPOST
KP203/	KIT HEADSET SUPERSIX EVO CRB
KP395/	KIT, DER HANGER , EVO II, MECH
KP396/	KIT, DER HANGER , EVO II, DI2
KP397/	KIT, SEATBINDER, ROAD, 28.6
KP398/	KIT, DOWNTUBE CABLE STOP, EVO II

CODE	DESCRIPTION
KP409/	KIT, CABLE GUIDES, EVO II
KP193/	KIT GUIDE BRAKE SUPERSIX EVO
KP269/	KIT GUIDE BRAKE SUPERSIX EVO WMNS 44-48
KP224/	KIT GUIDE BRAKE H-TUBE SUPERSIX EVO
KF103/	KIT GUARD SCUFFGUARD 8PK
KP197/SRM	KIT BEARING BB-PRESFIT30 SRM