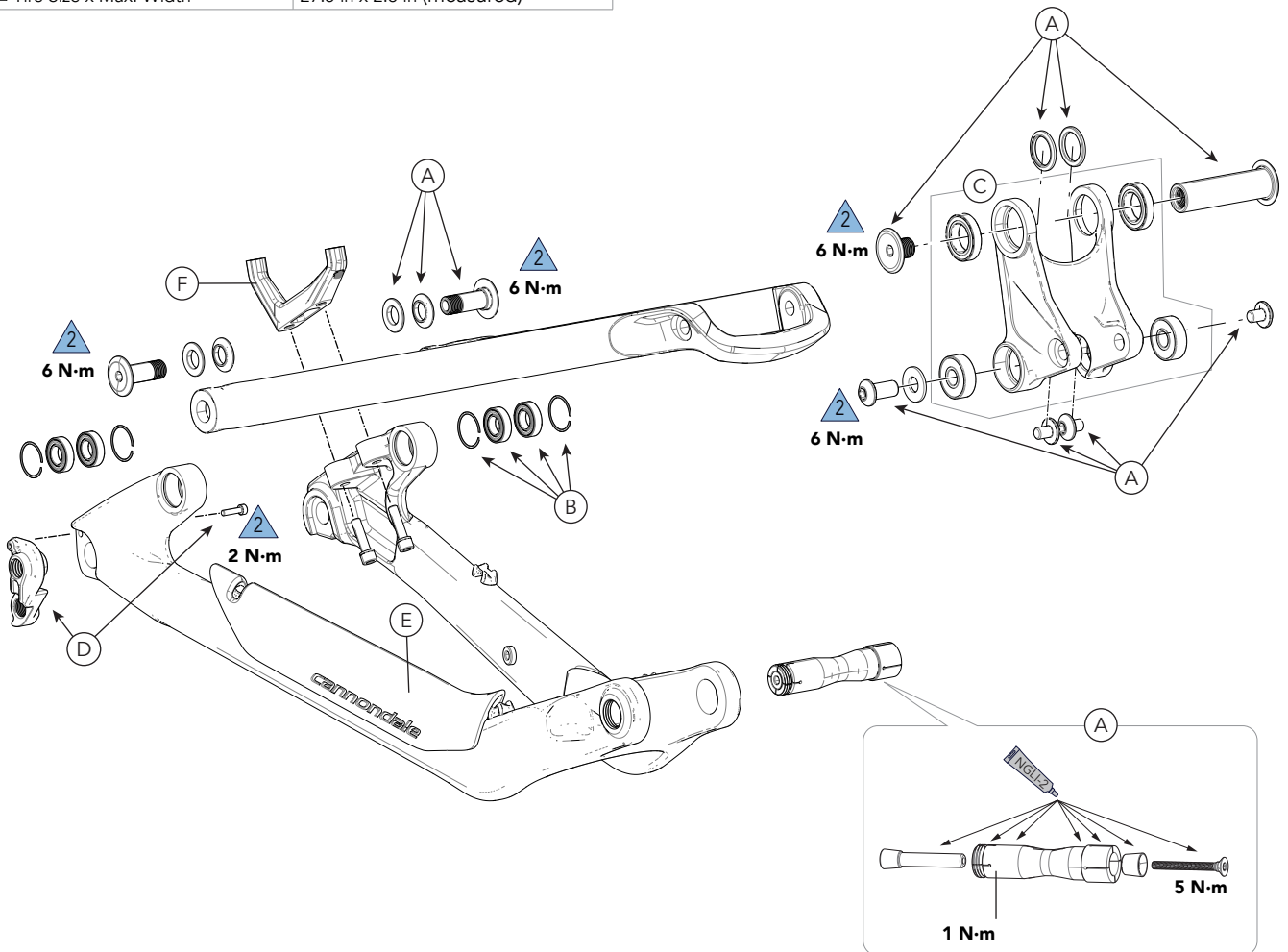


Cujo NEO 130 (2019)

Item	Specification
Drive System	Shimano E8000 Drive Unit
Battery	Shimano BT-E8020 504Wh
Drive-Assist Owners Manual	http://si.shimano.com
Rear Travel	130 mm
Head Tube	UPR: 1-1/8 in LWR: 1-1/2 in
Headset	FSA Orbit C-40-ACB 9.1 mm stack
Bottom Bracket: Type/ Width	Shimano E8000 Drive unit
Front Derailleur	N/A
Seat Post: Dia./Binder	31.6 mm / 34.9 mm
▲ Min. Seat Post Insert	100 mm
▲ Tire Size x Max. Width	27.5 in x 2.8 in (measured)

▲ Max. Fork Length:	525 mm
Rear Shock: Eye-To-Eye / Stroke / Bushing Width	210 mm / 50 mm / 30 mm
Recommended Sag:	30%
Chain Guide	N/A
Brakes: Mount Type / Min/Max Rotor Dia.	RR: Flat Mount / 180 mm
Axles: Type/Length	RR: Maxle TA / 148 x 12 mm
Ai Offset:	N/A
▲ Intended Use:	ASTM CONDITION 4, All Mountain, Trails
▲ Max. Weight Limit: Total (rider+all equipment):	330 lbs / 150 kg

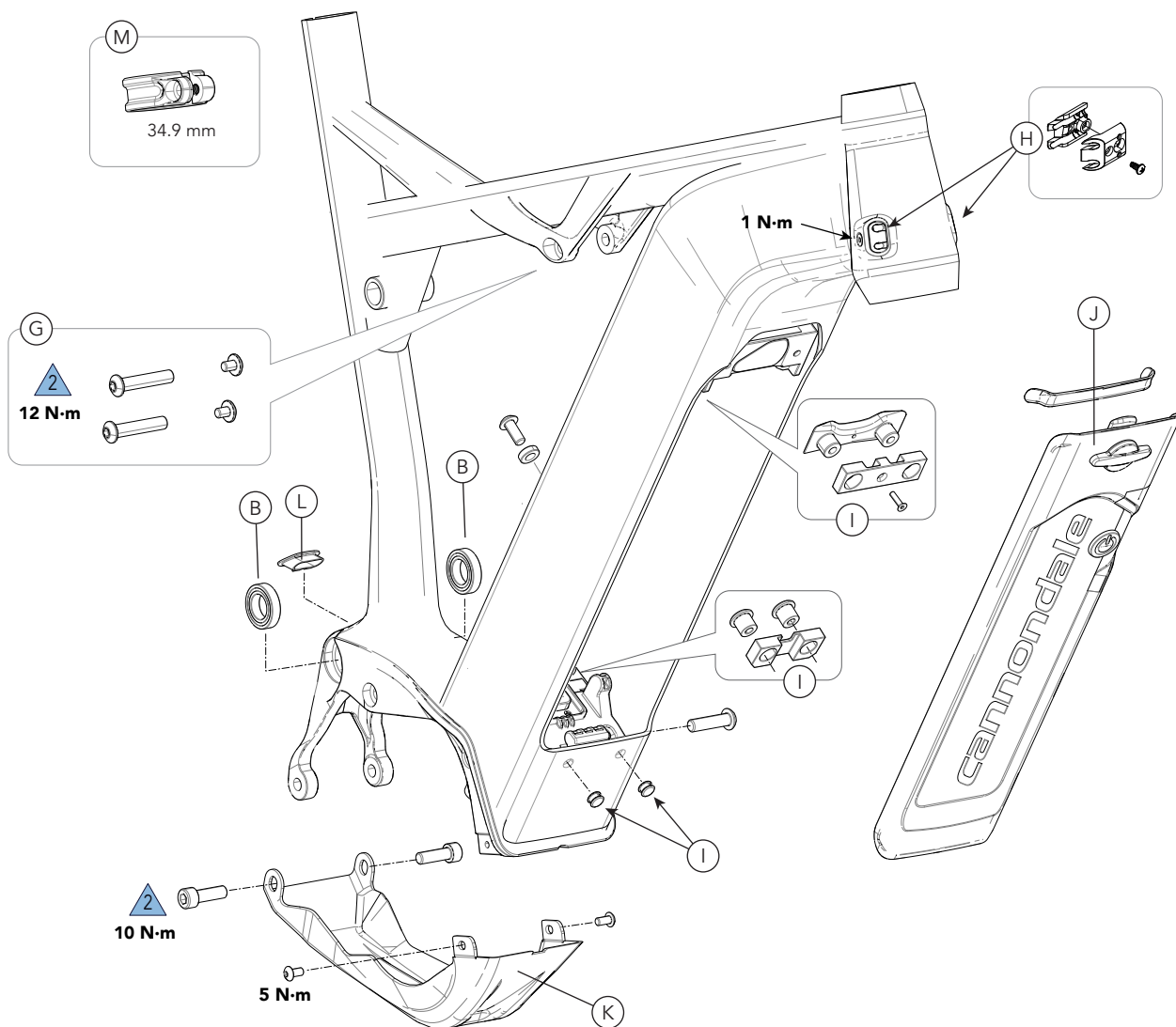


See **LOCKR** for instructions.

ID	Part Number	Description
A	K36149	Cujo NEO Pivot Hardware
B	K36159	Cujo NEO Pivot SS Link Bearings
C	K91029	Cujo NEO Suspension Link 27.5+ BLK
D	CK3257U00OS	Derailleur Hanger TA ST SS 015

ID	Part Number	Description
E	K34109	NEO FS Chainstay Protector
F	KP421/180	Brake Mount Flat 180 mm

Cujo NEO 130 (2019)



ID	Part Number	Description
G	K36018	AL Frame Shock Hardware
H	KP456/	Modular Cable Guides Headtube
I	K91019	NEO Battery Mounting Kit
J	K34089	NEO Battery Cover BLK

ID	Part Number	Description
K	K34099	Cujo NEO Skidplate w/ Hardware
L	K32029	NEO Cable Exit Port
M	KP388/	Seatbinder MTN Bolt 34.9