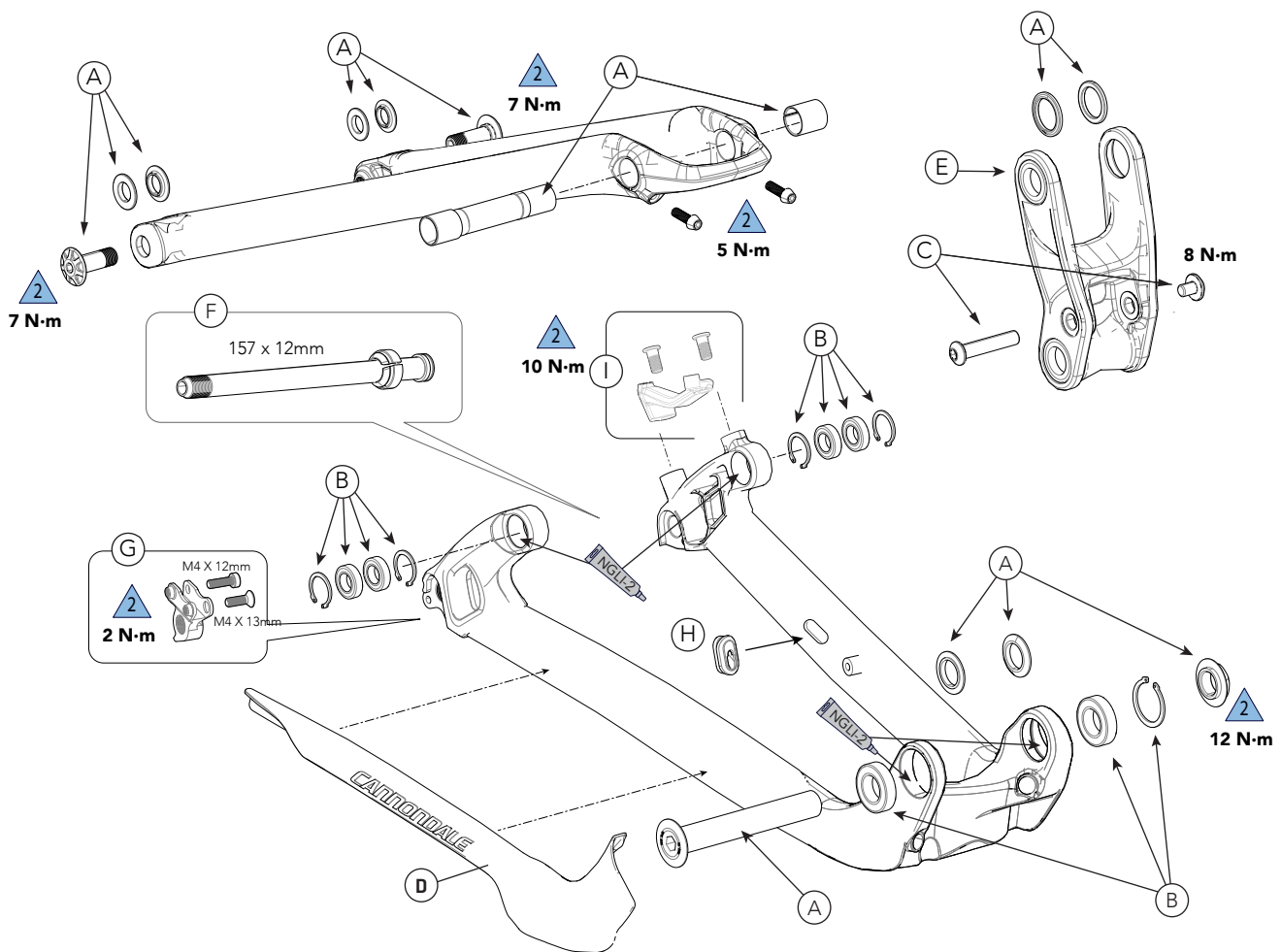


Moterra NEO (2019)

Item	Specification
Drive System	Bosch Performance CX
Battery	Bosch Powertube 500Wh
Drive-Assist Owners Manual	https://www.bosch-ebike.com
Rear Travel	130 mm
Head Tube	UPR: 1-1/8 in LWR: 1-1/2 in
Headset	Integrated, 1-1/8 in - 1-1/2 in
Bottom Bracket: Type/ Width	Bosch Drive Unit
Front Derailleur	N/A
Seat Post: Dia./Binder	31.6 mm / 34.9 mm
▲ Min. Seat Post Insert	100 mm

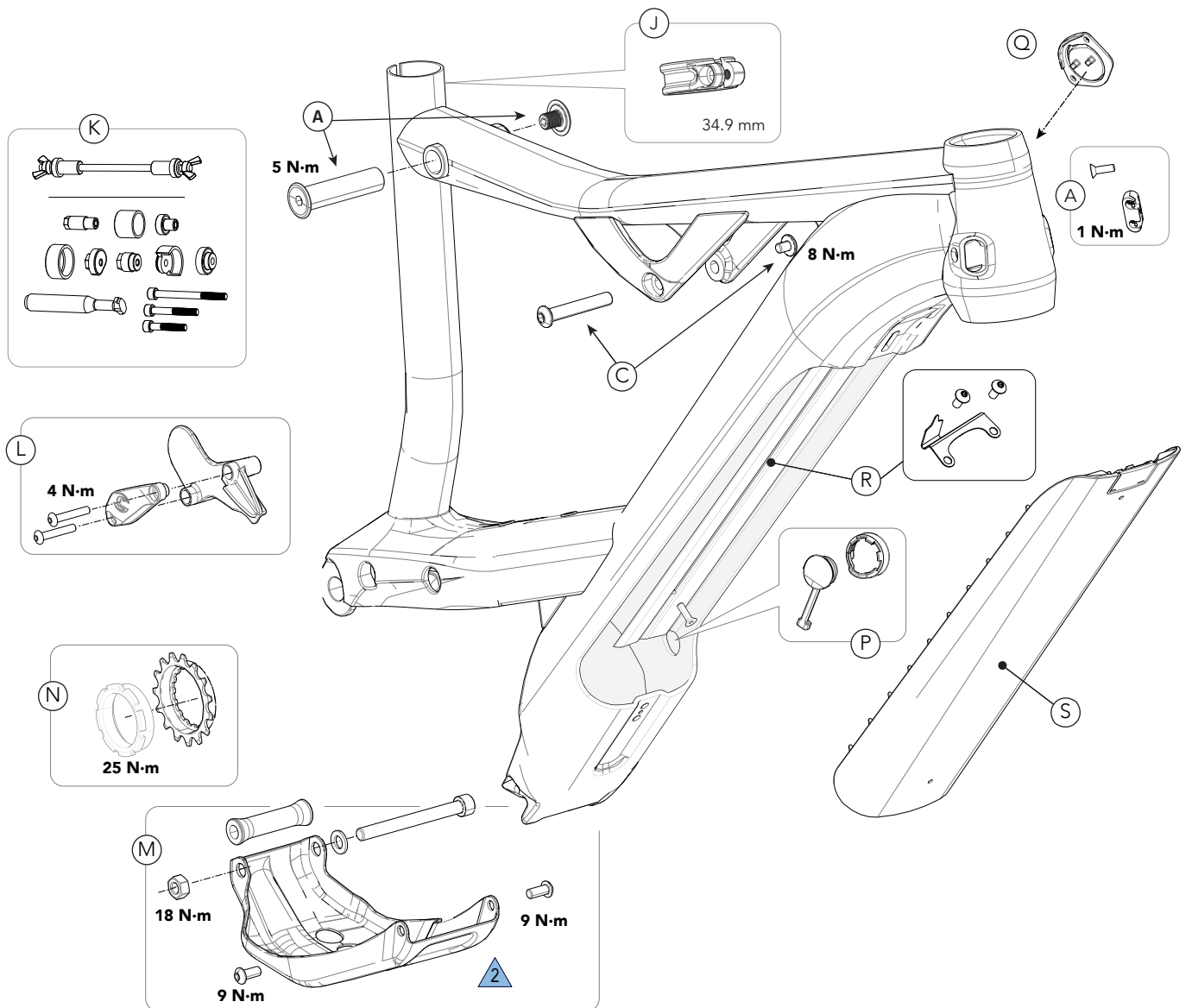
▲ Tire Size x Max. Width	27.5 in x 2.8 in (measured)
▲ Max. Fork Length:	541 mm
Rear Shock: Eye-To-Eye / Stroke / Bushing Width	210 x 50 mm
Recommended Sag:	36 mm
Chain Guide	Cannondale Chain Guide
Brakes: Mount Type / Min/Max Rotor Dia.	RR: Post Mount /180 mm / 200 mm (SRAM), 203 mm (Shimano)
Axles: Type / Length	RR: Syntace TA / 157 x 12 mm
▲ Intended Use:	ASTM CONDITION 4, All-Mountain
▲ Max. Weight Limit: Total (rider+all equipment):	330 lbs / 150 kg



ID	Part Number	Description
A	CK3067U10OS	Moterra Link Hardware BLK
B	CK3047U00OS	Moterra Pivot Bearings
C	CK3057M00OS	Moterra Shock Mount Hardware
D	CK3037U10OS	Moterra Chainstay Protector BLK
E	CK3297U00OS	Moterra CRB Link, w/brgs
F	K83037	Syntace Thru Axle X12 157x12

ID	Part Number	Description
G	KP173/	Derailleur Hanger TA ST DS 026
H	KP312/	Open Oval Grommet (QTY 10)
I	KP176/X	Brake Adapter Post Mount 180 mm
	KP177/X	Brake Adapter Post Mount 185 mm
	KP178/X	Brake Adapter Post Mount 203 mm

Moterra NEO (2019)



ID	Part Number	Description
J	KP388/	Seatbinder MTN Bolt 34.9
K	KP169/	Tool Jekyll Pivot
L	CK2017U10OS	Moterra Chainguide BLK
M	CK3017U10OS	Moterra Skid Plate BLK
N	CK2047U00OS	Moterra Sprocket and Lockring
O	KP456/	Modular Cable Guides HT

ID	Part Number	Description
P	K34249	Battery Key Seal
Q	K34159	Charge Port Cover PT
R	K32089	DT Cable Guide Internal Channel
S	K3425910	Battery Cover DT Bottom Exit SGG
	K3425920	Battery Cover DT Bottom Exit GRA
	K3425930	Battery Cover DT Bottom Exit BPL
--	KP205/	Headset Integrated Headshok To Taper