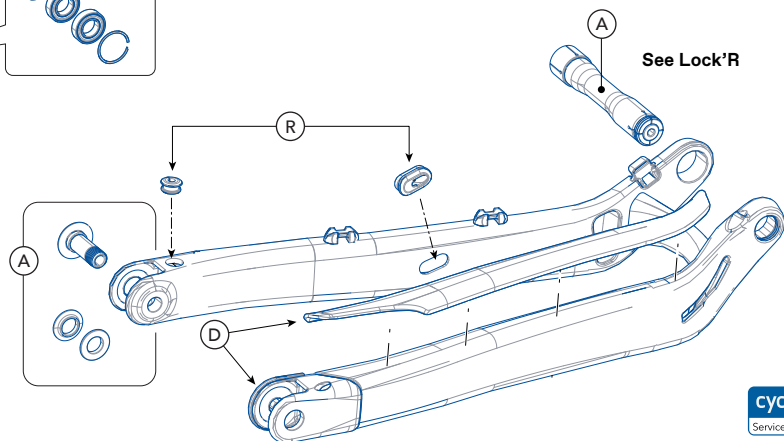
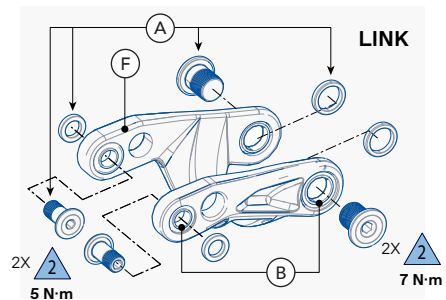
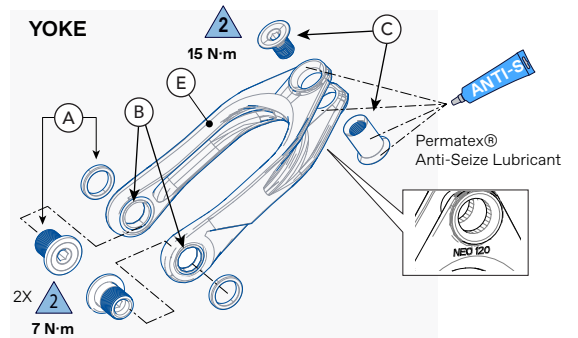
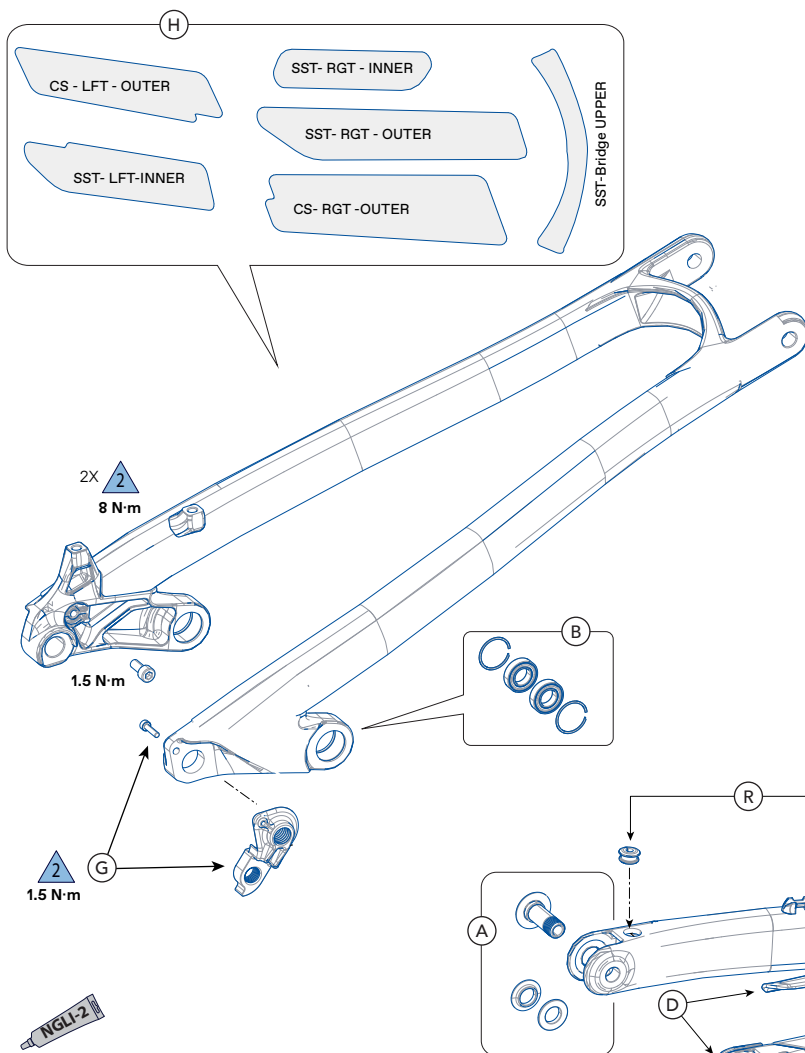


Habit Neo

2020-2021

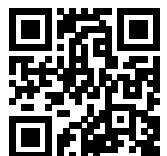
Item	Specification
Drive System:	Bosch Performance Line CX
Battery:	Bosch PowerTube 625Wh Bosch PowerTube 500Wh
Rear Travel	130 mm
Head Tube	UPR: 1-1/8 in LWR: 1-1/2 in
Headset	FSA Orbit C-40-ACB
Bottom Bracket: Type/ Width	Bosch Drive Unit
Front Derailleur	N/A
Seat Post: Dia./Binder	31.6 mm / 34.9 mm
▲ Min. Seat Post Insert	100 mm
▲ Tire Size x Max. Width (measured)	29 in x 2.6 in
▲ Max. Fork Length:	547 mm

Item	Specification
Rear Shock:	210 × 50 mm / FT: 8×20mm
Eye-To-Eye / Stroke / Bushing Width	RR: Bare
Recommended Sag:	30%, 14mm
Chain Guide	N/A
Brakes:	Post Mount /180 mm / 220mm
Mount Type / Min/Max Rotor Dia.	
Rear Hub	Maxle TA / 148 × 12mm/ 180 mm length
Ai Offset	Rear Wheel: 3 mm offset to NDS, SRAM Chaining: +6 mm offset, Hollowgram SpideRing: Ai Offset
▲ Intended Use ¹	ASTM CONDITION 4, All-Mountain
▲ Max. Weight Limit Total (rider+all equipment):	305 lbs / 138 kg



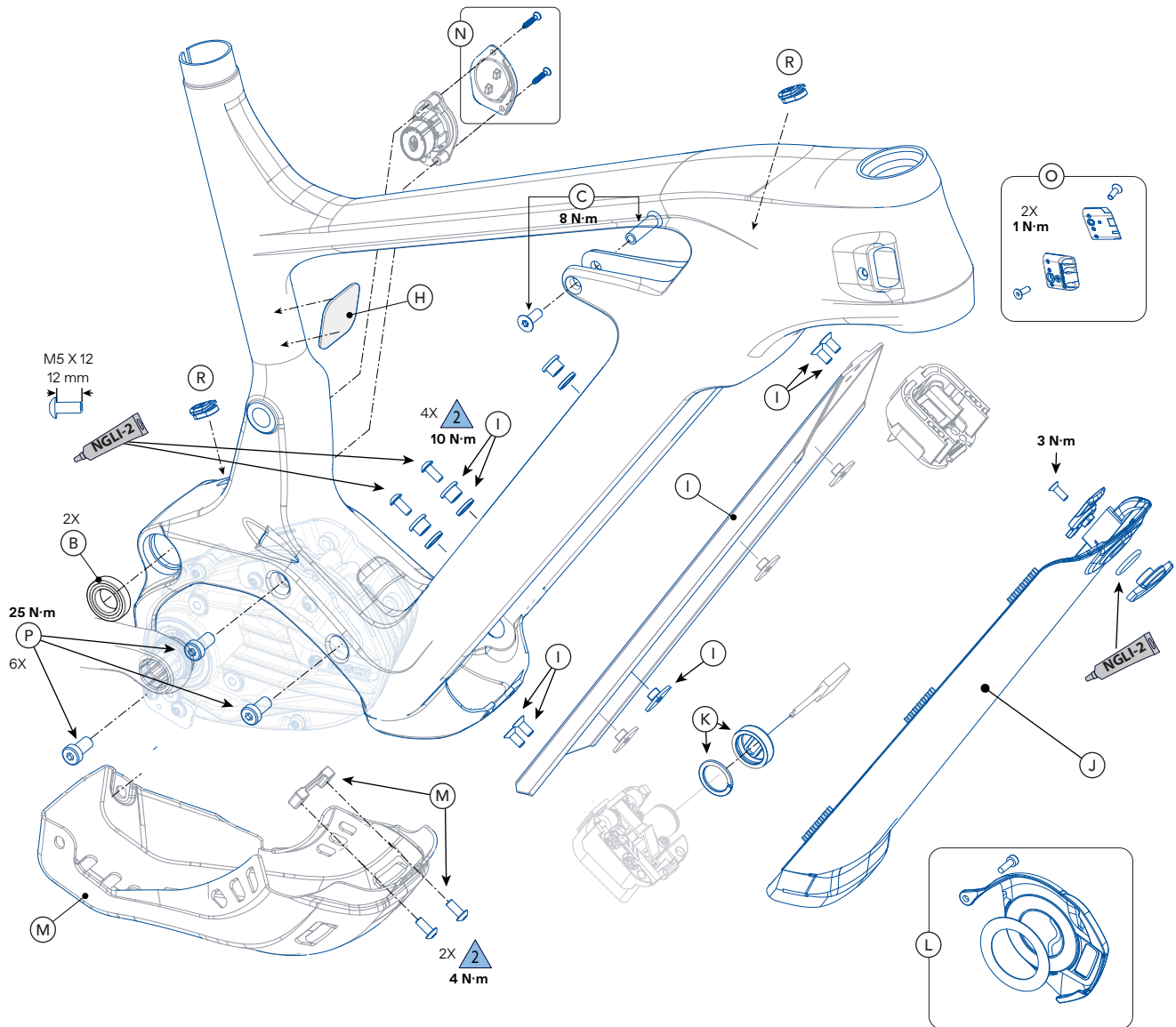
Apply light grease to bore of all press fit bearings during installation

cycling prophet
Service Videos Available Online



Habit Neo

2020-2021



ID	Part Number	Description
A	K36060	Habit Neo/Moterra Pivot Hardware
B	K36020	Habit Neo/Moterra MP CS SS Link Brgs.
C	K36079	Yoke Driven Shock Hardware
D	K34129	Chainstay and Horst Pivot Protectors
E1	K91030	Habit Neo/Moterra Yoke 120mm w/ BRGS Sizes: MD/LG/XL
E2	K91040	Habit Neo/Moterra Yoke 110mm w/ BRGS Size: S
F	K91050	Habit Neo Suspension Link 29
G	CK3257U000S	Derailleur Hanger TA ST SS 015
H	K34220	Habit Neo/Moterra Clear Frame Protectors

ID	Part Number	Description
I	K76000	Battery Rail DT Bottom Exit
J	K34040	Battery Cover DT Bottom Exit V2
K	K34050	Key Lock Cylinder
L	K34060	NDS Adhesive Motor Cover
M	K34070	Alloy Skid Plate w/Cover
N	K34159	Charge Port Cover V2
O	K32250	Modulator Cable Guides 4-5-5
P	K76010	Motor Mount Screws M8X16mm (QTY = 6)
Q	K76020	Skidplate/DT Battery Cover Catch
R	K32260	Habit Neo/Moterra Frame Grommets