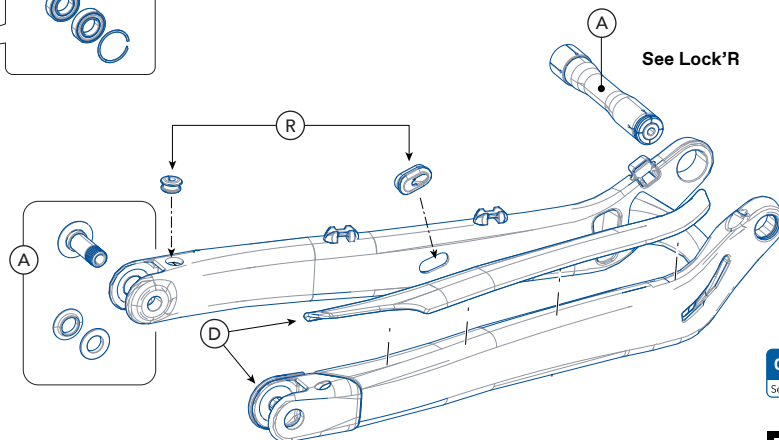
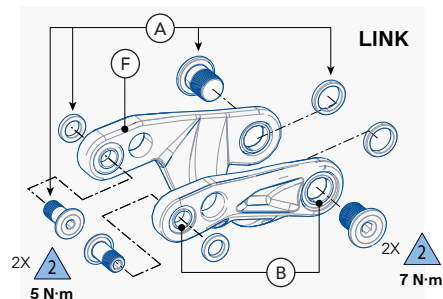
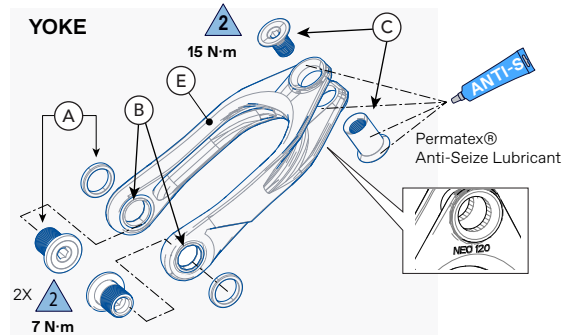
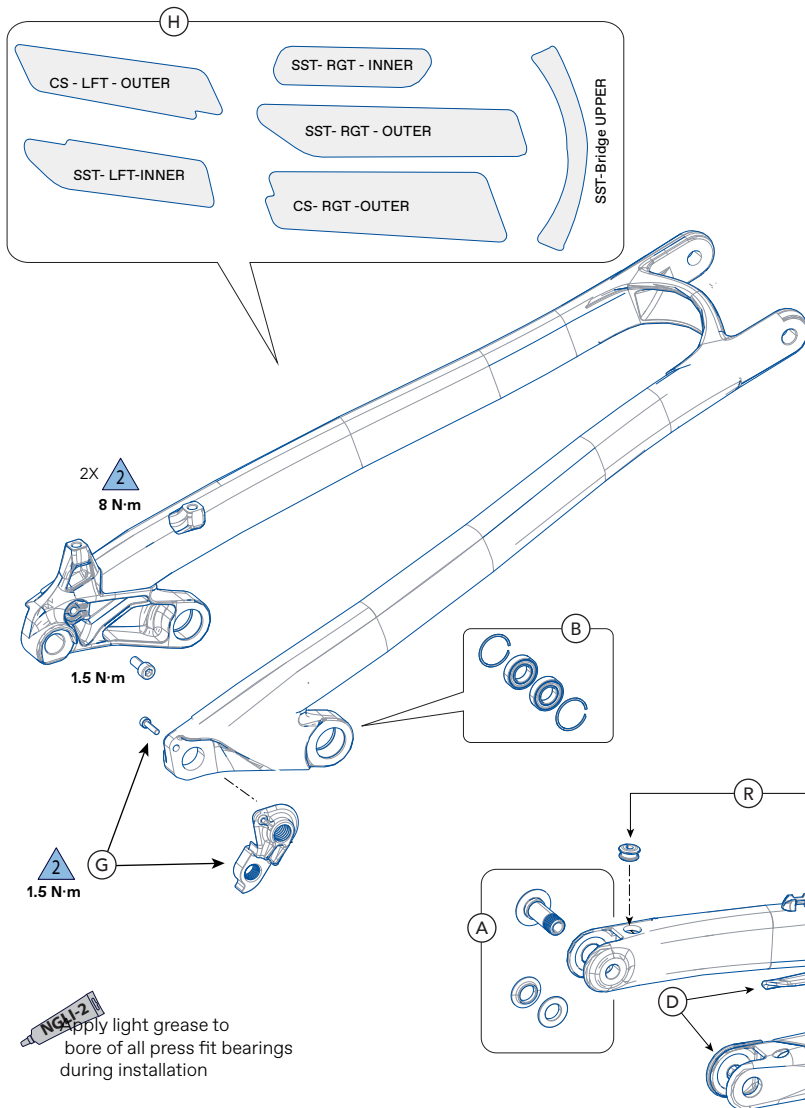


# Moterra Neo

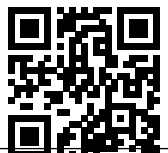
2020-2021

| Item                                | Specification  |
|-------------------------------------|--|
| Drive System:                       | Bosch Performance Line CX  |
| Battery:                            | Bosch PowerTube 625Wh Bosch PowerTube 500Wh  |
| Rear Travel                         | 160 mm   |
| Head Tube                           | UPR: 1-1/8 in LWR: 1-1/2 in  |
| Headset                             | FSA Orbit C-40-ACB, No. 42   |
| Bottom Bracket: Type/ Width         | Bosch Drive Unit   |
| Front Derailleur / Chain Ring       | N/A / 34T Max.   |
| Rear Derailleur                     | Shimano Standard   |
| Seat Post: Dia./Binder              | 31.6 mm / 34.9 mm  |
| ▲ Min. Seat Post Insert             | 100 mm   |
| ▲ Tire Size x Max. Width (measured) | S: 27.5 in x 2.8 in<br>MD-XL: 29 in x 2.6 in<br>MOTERRA SE: S: 27.5 in x 2.5 in<br>MOTERRA SE: MD-XL: 29 in x 2.5 in |

| Item   | Specification  |
|--|--|
| ▲ Max. Fork Length:                                | S: 561 mm, MD-XL : 582 mm  |
| Rear Shock:<br>Eye-To-Eye / Stroke / Bushing Width | 230 mm / 65 mm / FT: 8x20mm,<br>RR: Bare   |
| Recommended Sag:                                   | 30%, 18mm  |
| Chain Guide  | N/A  |
| Brakes:<br>Mount Type / Min/Max Rotor Dia.         | Post Mount /180 mm / 220 mm  |
| Rear Hub   | 148 mm, M12 x 1.75 x 180 mm  |
| Ai Offset  | Rear Wheel: 3 mm offset to NDS<br>SRAM Chaining: +6 mm offset<br>Hollowgram SpideRing: Ai Offset |
| ▲ Intended Use <sup>1</sup>                        | ASTM CONDITION 4, All-Mountain   |
| ▲ Max. Weight Limit (Total rider+all equipment):   | 305 lbs / 138 kg   |

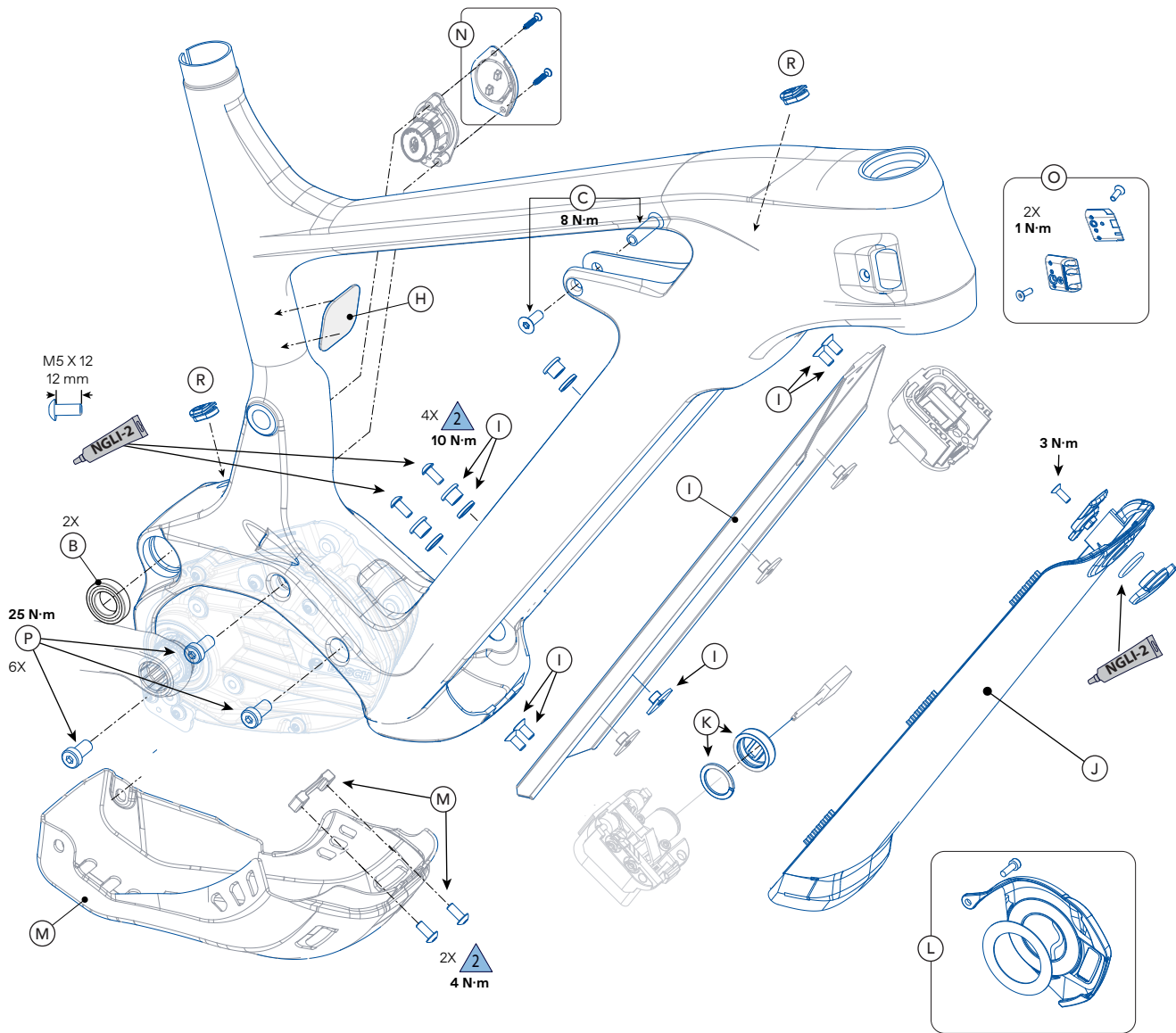


**cycling prophet**  
Service Videos Available Online



# Moterra Neo

2020-2021



| ID | Part Number | Description   |
|----|-------------|---|
| A  | K36060      | Habit Neo/Moterra Pivot Hardware                        |
| B  | K36020      | Habit Neo/Moterra MP CS SS Link Brgs.                   |
| C  | K36079      | Yoke Driven Shock Hardware                              |
| D  | K34129      | Chainstay and Horst Pivot Protectors                    |
| E1 | K91030      | Habit Neo/Moterra Yoke 120mm w/ BRGS<br>Sizes: MD/LG/XL |
| E2 | K91040      | Habit Neo/Moterra Yoke 110mm w/ BRGS<br>Size: S         |
| F  | K91060      | Moterra Suspension Link 27.5/29                         |
| G  | CK3257U000S | Derailleur Hanger TA ST SS 015                          |
| H  | K34220      | Habit Neo/Moterra Clear Frame Protectors                |

| ID | Part Number | Description                          |
|----|-------------|--------------------------------------|
| I  | K76000      | Battery Rail DT Bottom Exit          |
| J  | K34040      | Battery Cover DT Bottom Exit V2      |
| K  | K34050      | Key Lock Cylinder                    |
| L  | K34060      | NDS Adhesive Motor Cover             |
| M  | K34070      | Alloy Skid Plate w/Cover             |
| N  | K34159      | Charge Port Cover V2                 |
| O  | K32250      | Modulator Cable Guides 4-5-5         |
| P  | K76010      | Motor Mount Screws M8X16mm (QTY = 6) |
| Q  | K76020      | Skidplate/DT Battery Cover Catch     |
| R  | K32260      | Habit Neo/Moterra Frame Grommets     |