

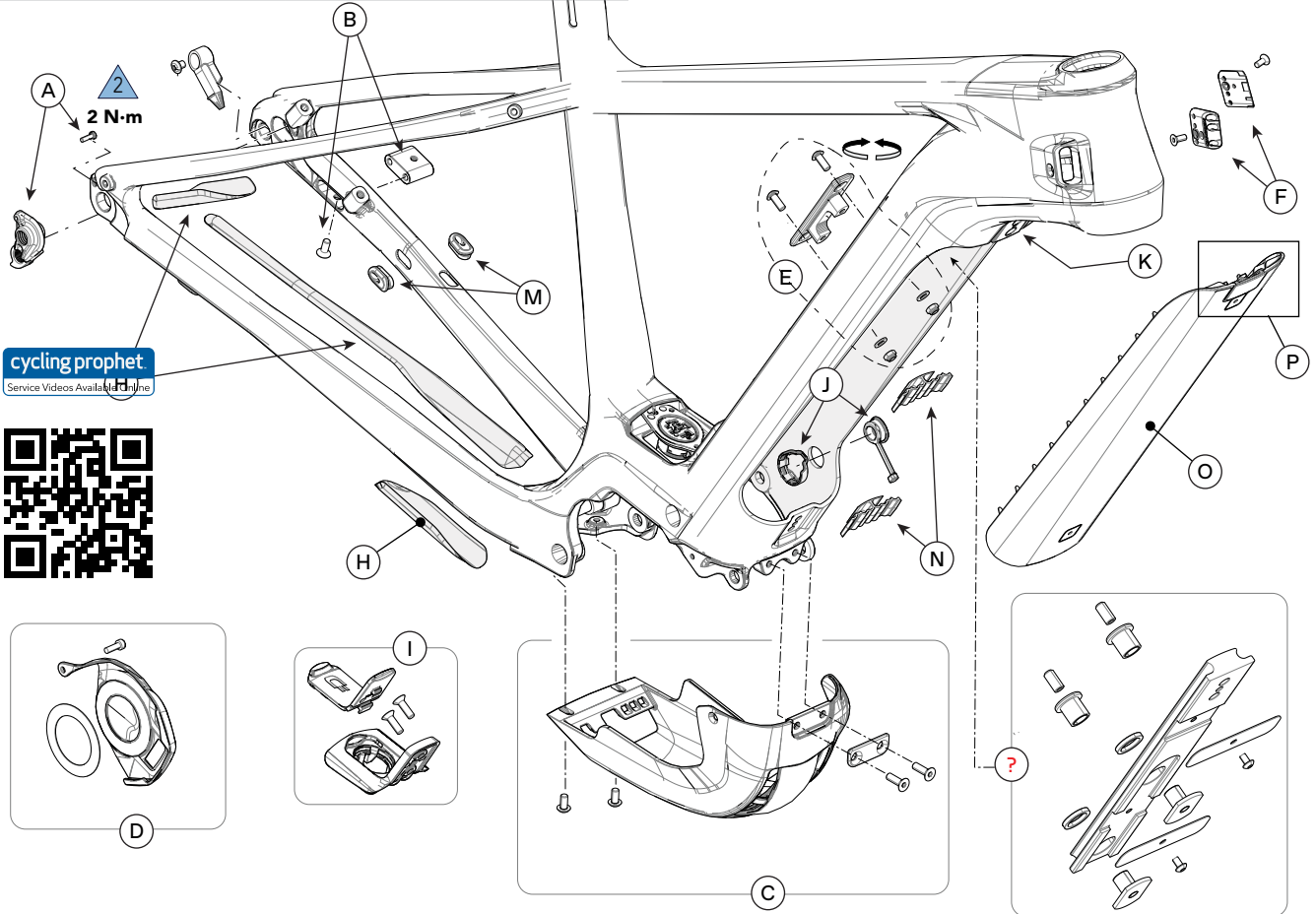
Canvas/Tesoro Neo X/Trail Neo

2021

Bosch Gen 4 625Wh

Item	Specification
Drive System	Bosch Performance Line CX Bosch Performance Line Speed
Battery	Bosch PowerTube 625wh
Drive-Assist Owner's Manual	https://www.bosch-ebike.com/
Head Tube	UPR: 1-1/8 in LWR: 1-1/2 in
Headset	Integrated 1-1/8 in - 1-1/2 in
Bottom Bracket: Type/Width	Bosch Drive Unit
Front Derailleur	N/A
Seat Post: Dia./Binder	31.6mm/34.9mm
▲ Min. Seat Post Insert	100mm
Seat post Maximum Insert	Check frame
Tire Size x Max. Tire Width	27.5 x 2.6 in / 29x2.6 in

Item	Specification
Brakes: Mount Type / Min./ Max. Rotor Dia.	Post Mount / 180 mm/203 mm
Axles: Type/Length	RR: Maxle TA/148x12 mm, 188 mm Overall Length FR: (Canvas Only): Maxle TA/110x15, 148 mm Overall Length
Intended Use	ASTM Condition 2, General Purpose Riding
Max. Weight Limit: Total (Rider+All Equipment)	330 lbs/150 kg
▲ Max. Weight Limit: Total (Rider+All Equipment)	305 lbs/ 138 kg



cycling prophet
Service Videos Available Online



ID	Part Number	Description
A	CK3257U000S	Derailleur Hanger TA ST SS 015
B	K31010	Flip Chip Kickstand Bracket
C	K34080	Motor Skid Plate Hardtail v2
D	K34060	NDS Adhesive Motor Cover
E	K76080	DT Powerpack Flip Bracket
F	K32250	Modular Cable Guides 4-5-5 Qty 2
G	K3441110	Battery Cover DT Bottom Exit 625Wh BLK
H	K34340	E Hardtail CS SS Protectors
I	K76030	COB DT Battery Holder Bracket
J	K34140	Key Cover w/ Leash

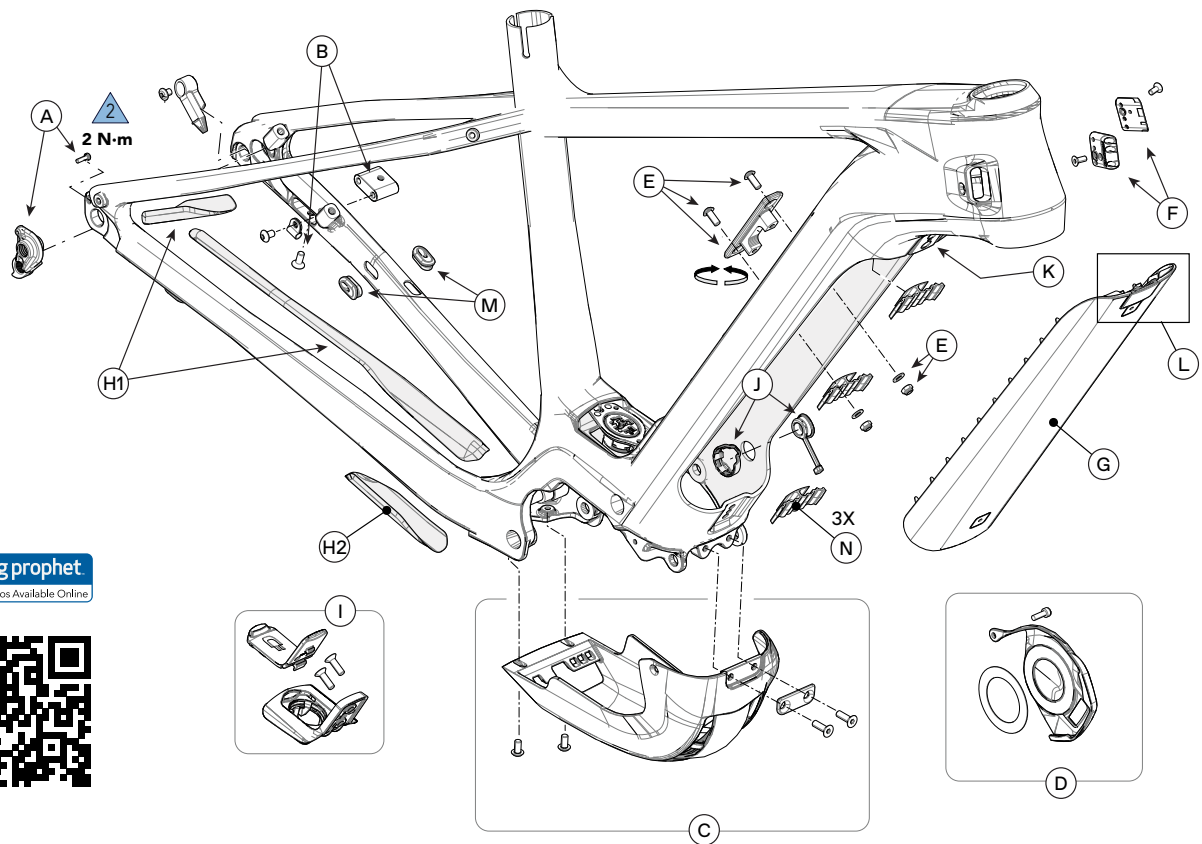
ID	Part Number	Description
K	K76070	Battery Cover Mounting Washer Qty 1
L	K76081	Battery Rail DT Bottom Exit 625Wh
M	KP312/	Open Oval Grommet x10 (QTY 10)
N	K32040	DT Adhesive Cable Guide (QTY 3)
O	K34321	E-Hardtail Battery Cover Protector
P	K34150	DT Bottom Exit Latch v1.2

Canvas Neo/Tesoro Neo X/Trail Neo Performance 2020

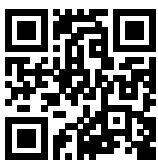
Bosch Gen 4 Models

Item	Specification
Drive System	Bosch Performance Line CX
Battery	Bosch PowerTube 500wh
Drive-Assist Owner's Manual	https://www.bosch-ebike.com/
Head Tube	UPR: 1-1/8in LWR: 1-1/2in
Headset	Integrated 1-1/8in - 1-1/2in
Bottom Bracket: Type/Width	Bosch Drive Unit
Front Derailleur	N/A
Seat Post: Dia./Binder	31.6mm/34.9mm
▲ Min. Seat Post Insert	100mm
▲ Tire Size x Max. Tire Width	27.5 x 2.6in, 29x2.6in
▲ Max. Fork Length:	SM: 512mm MD, LG, XL: 531mm

Item	Specification
Brakes: Mount Type / Min./ Max. Rotor Dia.	Post Mount / 180mm/203mm
Axles: Type/Length	RR: Maxle TA/148x12mm, 188mm Overall Length
	FR (Canvas Only): Maxle TA/110x15, 148mm Overall Length
▲ Intended Use	ASTM Condition 2, General Purpose Riding
▲ Max. Weight Limit Total (Rider+All Equipment):	330lbs/150kg



cycling prophet
Service Videos Available Online



ID	Part Number	Description
A	CK3257U000S	Derailleur Hanger TA ST SS 015
B	K31010	Flip Chip Kickstand Bracket
C	K34080	Motor Skid Plate Hardtail v2
D	K34060	NDS Adhesive Motor Cover
E	K76080	DT Powerpack Flip Bracket
F	K32250	Modular Cable Guides 4-5-5 (QTY 2)
G	K3416010	Battery Cover DT Bottom Exit v1.2 BPL
	K3416020	Battery Cover DT Bottom Exit v1.2 GRA
	K3416030	Battery Cover DT Bottom Exit v1.2 MAT

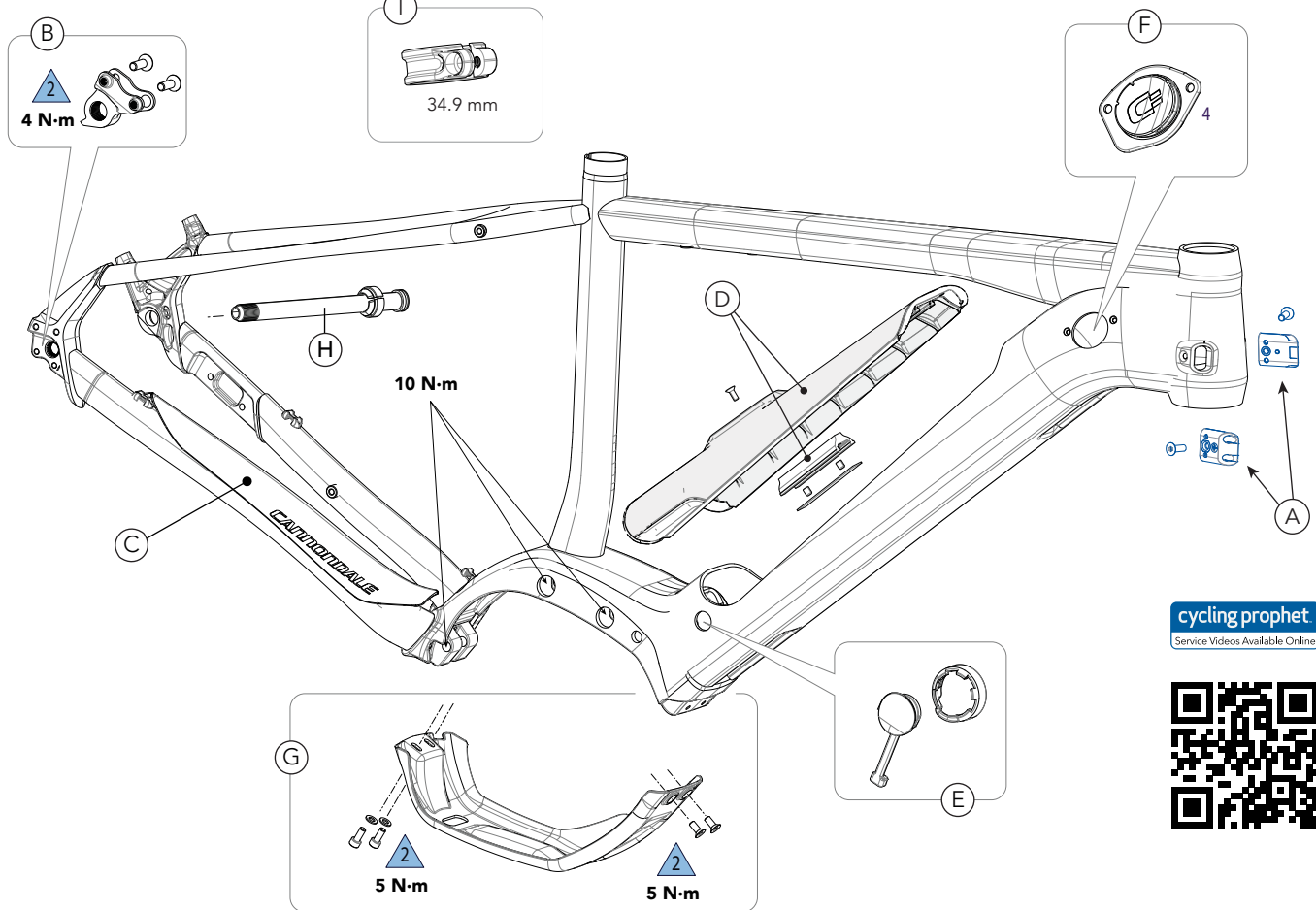
ID	Part Number	Description
G	K3416040	Battery Cover DT Bottom Exit v1.2 GRY
	K3416050	Battery Cover DT Bottom Exit v1.2 BLK
	K3416060	Battery Cover DT Bottom Exit v1.2 MTG
H1	K34340	E Hardtail CS SS Protectors
H2	K34230	E-Hardtail CS Lower Protector
I	K76030	COB DT Battery Holder Bracket
J	K34140	Key Cover w/ Leash
K	K76070	Battery Cover Mounting Washer (QTY 1)
L	K34150	DT Bottom Exit Latch v1.2
M	KP312/	Open Oval Grommet x10 (QTY 10)
N	K32040	DT Adhesive Cable Guide (QTY 3)

Canvas Neo/Tesoro Neo X/Trail Neo Performance

Bosch Gen 2/3 Models

Item	Specification
Drive System	Bosch Performance CX Bosch Active Line Plus
Battery	Bosch Powertube 500Wh
Drive-Assist Owners Manual	https://www.bosch-ebike.com
Head Tube	UPR: 1-1/8 in LWR: 1-1/2 in
Headset	Integrated, 1-1/8in - 1-1/2 in
Bottom Bracket: Type/ Width	Bosch Drive Unit
Front Derailleur	N/A
Seat Post: Dia./Binder	31.6 mm / 34.9 mm
▲ Min. Seat Post Insert	100 mm

Item	Specification
▲ Tire Size x Max. Width	29 in x 2.6 in
▲ Max. Fork Length:	530 mm
Chain Guide	N/A
Brakes: Mount Type / Min/Max Rotor Dia.	RR: Post Mount / 160 mm / 203 mm
Axles: Type / Length	RR: Syntace TA / 148 x 12 mm
▲ Intended Use	ASTM Condition 2, General Purpose Riding
▲ Max. Weight Limit Total (Rider+All Equipment):	330 lbs / 150 kg



cycling prophet
Service Videos Available Online



ID	Part Number	Description
A	KP456/	Modular Cable Guides Headtube
B	KP173/	Derailleur Hanger TA ST DS 026
C	CK3618U000S	NEO Chain Stay Protector
D	K3420910	Battery Cover DT Top Exit BLK
	K3420940	Battery Cover DT Top Exit SGY
E	K34249	Battery Key Seal

ID	Part Number	Description
F	K34159	Charge Port Cover PT
G	K34309	Motor Skid Plate Hardtail
H	K83078	Syntace X-12 Thru Axle 148 x 12 168 mm
I	KP388/	Seatbinder MTN Bolt 34.9
--	K34329	Gen 3 Motor Covers