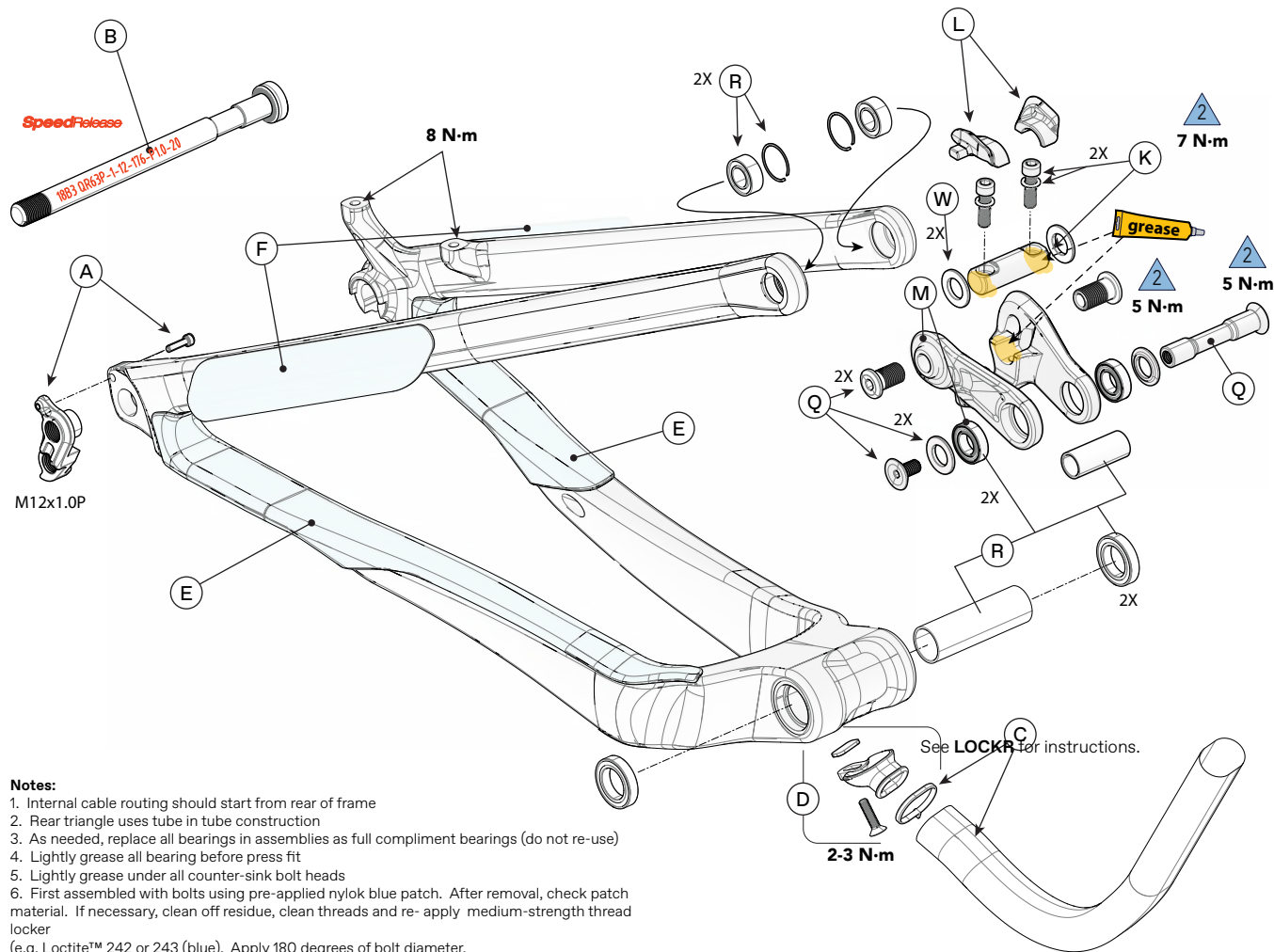


# Scalpel

2020-2021

Item	Specification
Rear Travel	100 mm, SE: 120 mm
Head Tube	UPR: 1-1/8", LWR: 1-1/2"
Headset	FSA Orbit C-40-ACB No. 42
Bottom Bracket: Type/ Width	PF30 / 83 mm
Front Derailleur	N/A
Seat Post: Dia./Binder	31.6 mm / 34.9 mm
▲ Min. Seat Post Insert	100 mm
▲ Tire Size x Max. Width	622 x 61 mm
▲ Max. Fork Length	532 mm
Rear Shock: Eye-To-Eye / Stroke / Bushing Width	190 mm / 40 mm / FT: M8 x 25 mm, RR: None SE: 190 mm / 45 mm / FT: M8 x 25 mm, RR: None

Item	Specification
Sag	25%, 10 mm SE: 25%, 11 mm
Chain Guide	Integrated w/ Main Pivot
Rear Brake: Mount Type / Min/Max Rotor Dia	Post Mount / 160 mm / 180 mm
Rear Axle: Type/Length	148x12 Speed Release TA M12 x 1.0p x 176 mm Overall Length
Ai Offset:	Rear Wheel: 3 mm Boost Ai Offset to NDS Hollowgram SpideRing: Ai Offset SRAM Chainring: +6 mm Offset
▲ Intended Use	ASTM Condition 3, Cross Country, Marathon, Hardtails
▲ Max. Weight Limit Total (rider+all equipment):	305 lbs. / 138 kg.



- Notes:**
1. Internal cable routing should start from rear of frame
  2. Rear triangle uses tube in tube construction
  3. As needed, replace all bearings in assemblies as full compliment bearings (do not re-use)
  4. Lightly grease all bearing before press fit
  5. Lightly grease under all counter-sink bolt heads
  6. First assembled with bolts using pre-applied nylok blue patch. After removal, check patch material. If necessary, clean off residue, clean threads and re-apply medium-strength thread locker (e.g. Loctite™ 242 or 243 (blue). Apply 180 degrees of bolt diameter.

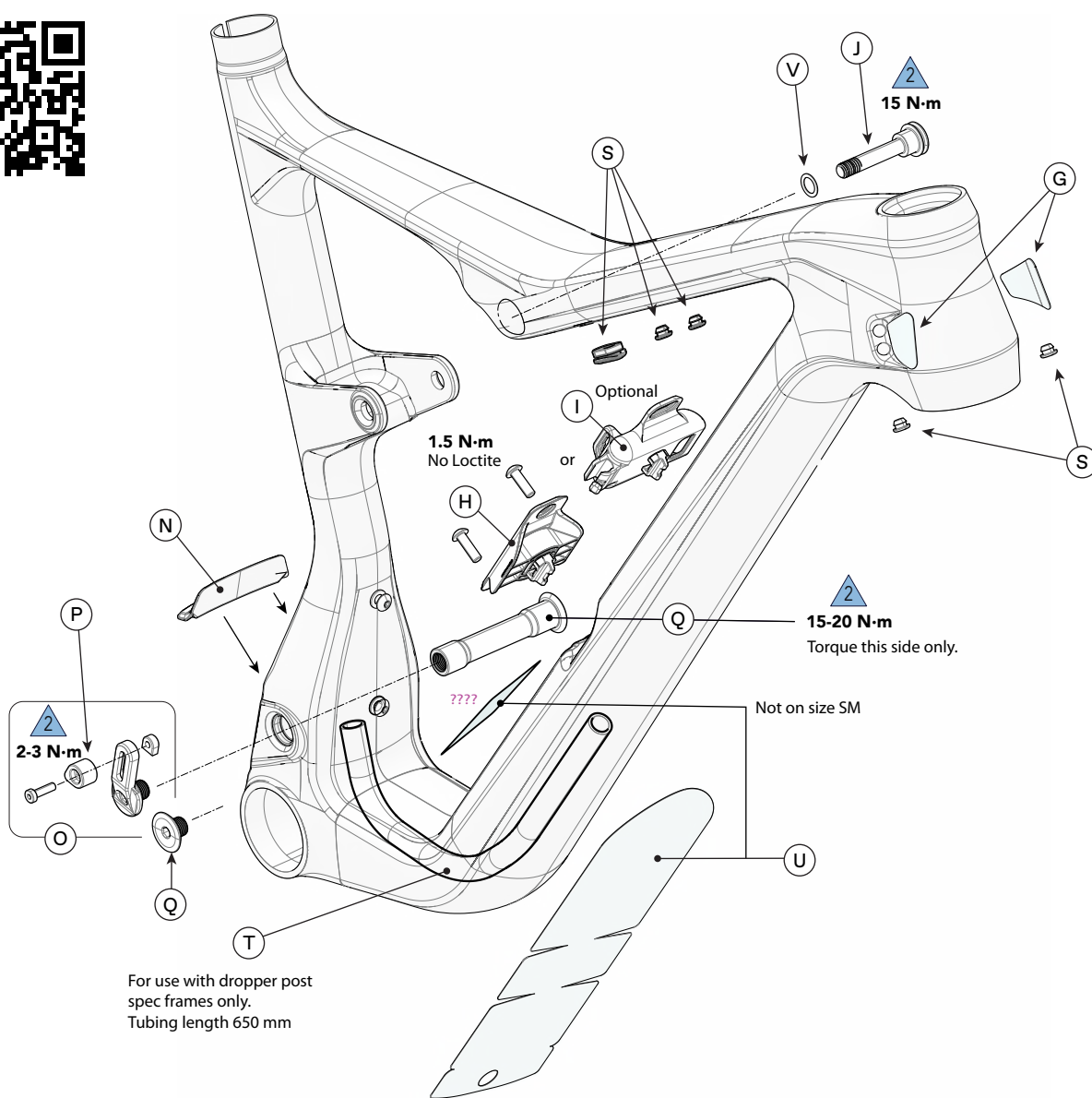
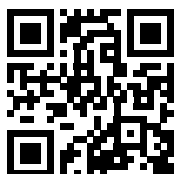
ID	Part Number	Description
A	K33001	Derailleur Hanger TA ST SS 078
B	K83061	Speed Release Ta 148x12 176 Mm M12x1.0p
C	K32011	Cable Funnel Tubing And Tie
D	K32001	Cable Funnel W/ Bolt
E	K34001	CS Flex Covers NDS And DS
F	K34021	SS Inboard Frame Protector

ID	Part Number	Description
G	K34031	HT Rub Guard Clear Protectors
H	K32021	DT Blank Cable Guide
I	K32031	DT Tool Cable Guide W/ CO2 Retainers
J	K91001	Scalpel Shock Bolt Upper
K	K91011	Scalpel Shock Reducer Lower
L	K34011	Scalpel Link Covers Right And Left

# Scalpel

2020-2021

**cyclingprophet.**  
Service Videos Available Online



ID	Part Number	Description
M	K91021	Scalpel Suspension Link 29 /W Brgs
N	K11001	Scalpel Rear Fender
O	K11011	Scalpel Chainguide Complete
P	K11021	Scalpel Chainguide Top
Q	K91031	Scalpel Pivot Hardware
R	K91041	Scalpel Pivot Cs Ss Link Bearings
S	K32041	Scalpel Frame Grommets
T	K32051	Scalpel Dropper Tubing

ID	Part Number	Description
U	K34051	DT Frame Protector
V	K91081	Scalpel Shock Bolt Washer
W	K36041	Scalpel Shock Pin Spacers Qty 2