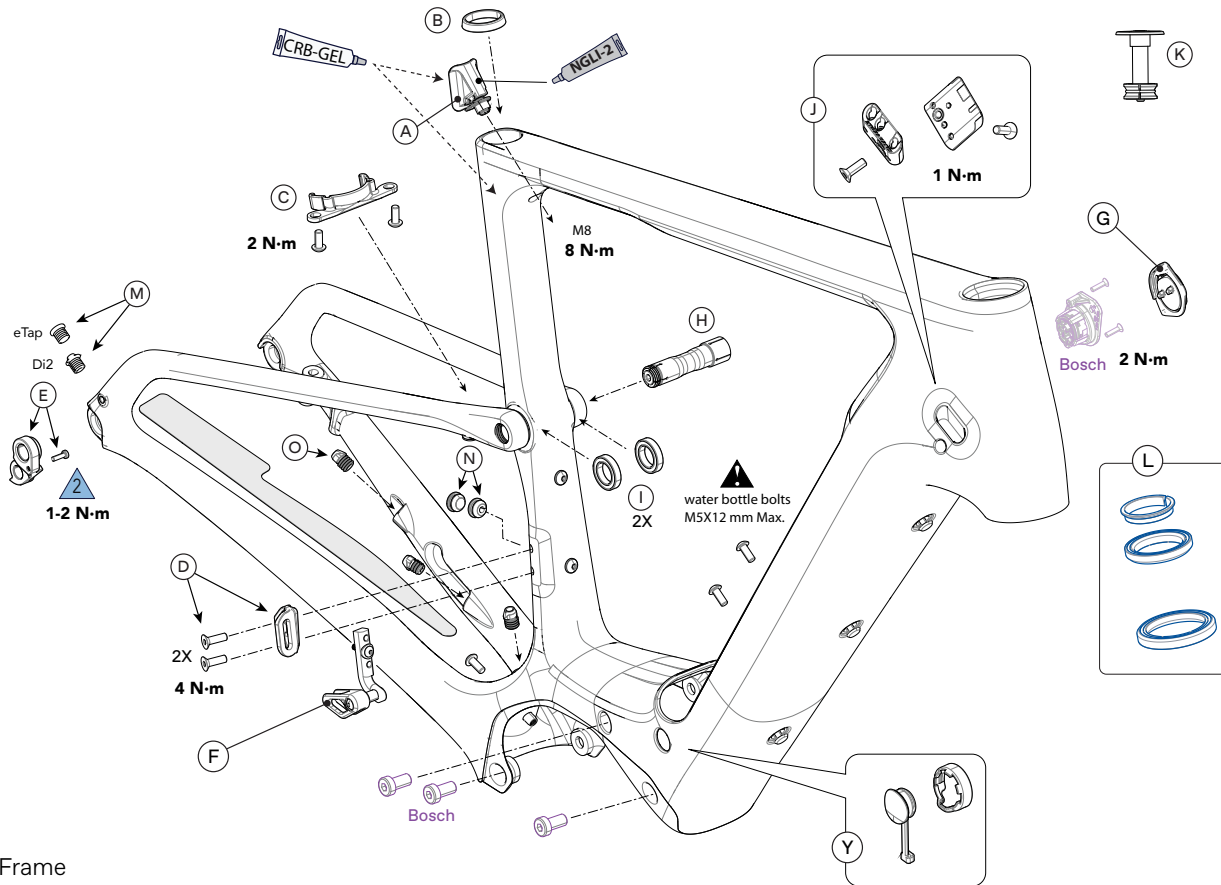


# Topstone Neo Carbon

2020 - 2021

Item	Specification
Drive System	Bosch Performance Line CX
Battery	Bosch PowerTube 500Wh
Drive-Assist Owner's Manual	<a href="https://www.bosch-ebike.com/">https://www.bosch-ebike.com/</a>
Head Tube	UPR: 1-1/8in LWR: 1-1/2in
Headset	Integrated, 1-1/8in-1-1/2in
Bottom Bracket: Type/Width	Bosch Drive unit
Front Derailleur	Braze-on
Seat Post: Dia./Binder	27.2mm/Internal Wedge
Min. Seat Post Insert	80mm
Max. Seat Post Insert	Size-specific, SM: 170mm, MD: 185mm, LG:205mm XL:215mm
Tire Size x Max. Tire Width (measured)	650b x 47mm (treadless,) 700c x 37mm

Item	Specification
Maximum. Fork Length	405mm
Brakes: Mount Type / Min./ Max. Rotor Dia.	Rigid Fork FR: Flat Mount+20mm / 160/180mm RR: Flat Mount / 160/180mm
Axles: Type/Length	RR: Syntace 148x12mm, 168mm length FR: Maxle 110x12mm, 135mm length
Intended Use	ASTM CONDITION 2: General Purpose Riding
Max. Weight Limit: Total (Rider+All Equipment)	305lbs / 138kg



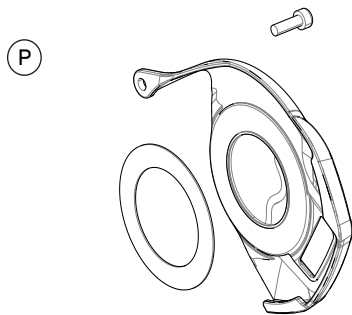
Frame

ID	Part Number	Description
A	K26001	Seat Binder
B	K26011	Seatpost Grommet Round 27.2
C	K11000	Rear Fender Mount
D	K33041	FD Mount
E	K33049	Derailleur Hanger TA ST SS 073
F	K11141	Chainguide
G	K34159	Charge Port Cover V2
H	K91000	LockR Pivot Hardware 65mm
I	K36087	Pivot Bearing 6802 x2
J	K32250	Modular Cable Guides 4-5-5 Qty 2

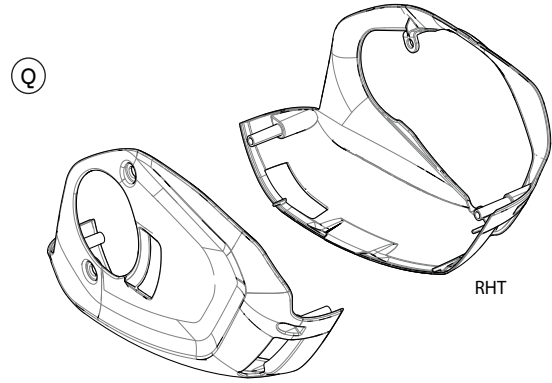
ID	Part Number	Description
K	K35009	SL Compression Plug w/ Top Cap
L	K35010	1-1/8-1.5 Int Hdset w/ 36 Deg CR 25/5 TC
--	K91010	Kingpin Bearing Tool
--	K83011	Maxle TA Bolt , 110x12 135mm
M	K32280	Di2 & Wireless Plugs 5.5mm
N	K32340	FD Grommets Open & Closed 7.5mm
O	KP449/	Rubber Brake Housing Grommets

# Topstone Neo Carbon

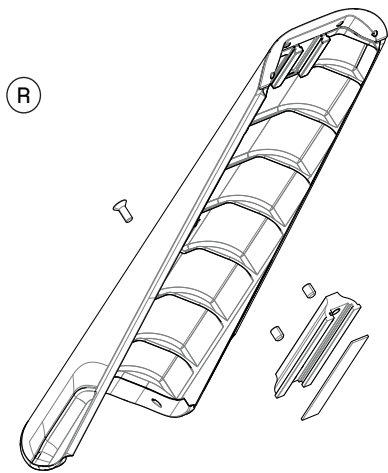
2020 - 2021



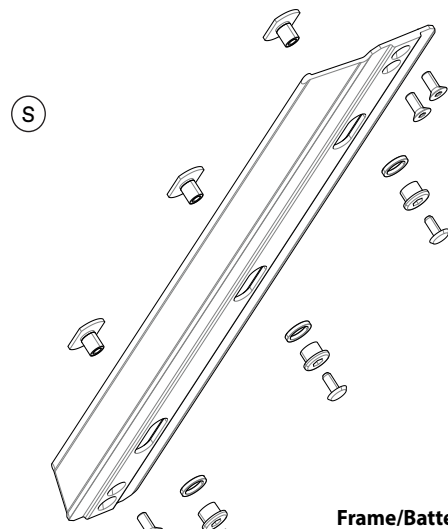
**Heat Shield**



**Motor Covers**



**Battery Cover**



**Frame/Battery Rail**

Battery / Motor Covers

ID	Part Number	Description
P	K34060	NDS Adhesive Motor Cover
R	K3420930	Battery Cover DT Top Exit BPL
	K3420970	Battery Cover DT Top Exit CHP
	K3420980	Battery Cover DT Top Exit GRY
	K3420990	Battery Cover DT Top Exit EMR

ID	Part Number	Description
Q	K3415110	Motor Cover BPL
	K3415120	Motor Cover CHP
	K3415130	Motor Cover GRY
	K3415140	Motor Cover EMR
S	K34141	Battery Rail Mounting Kit