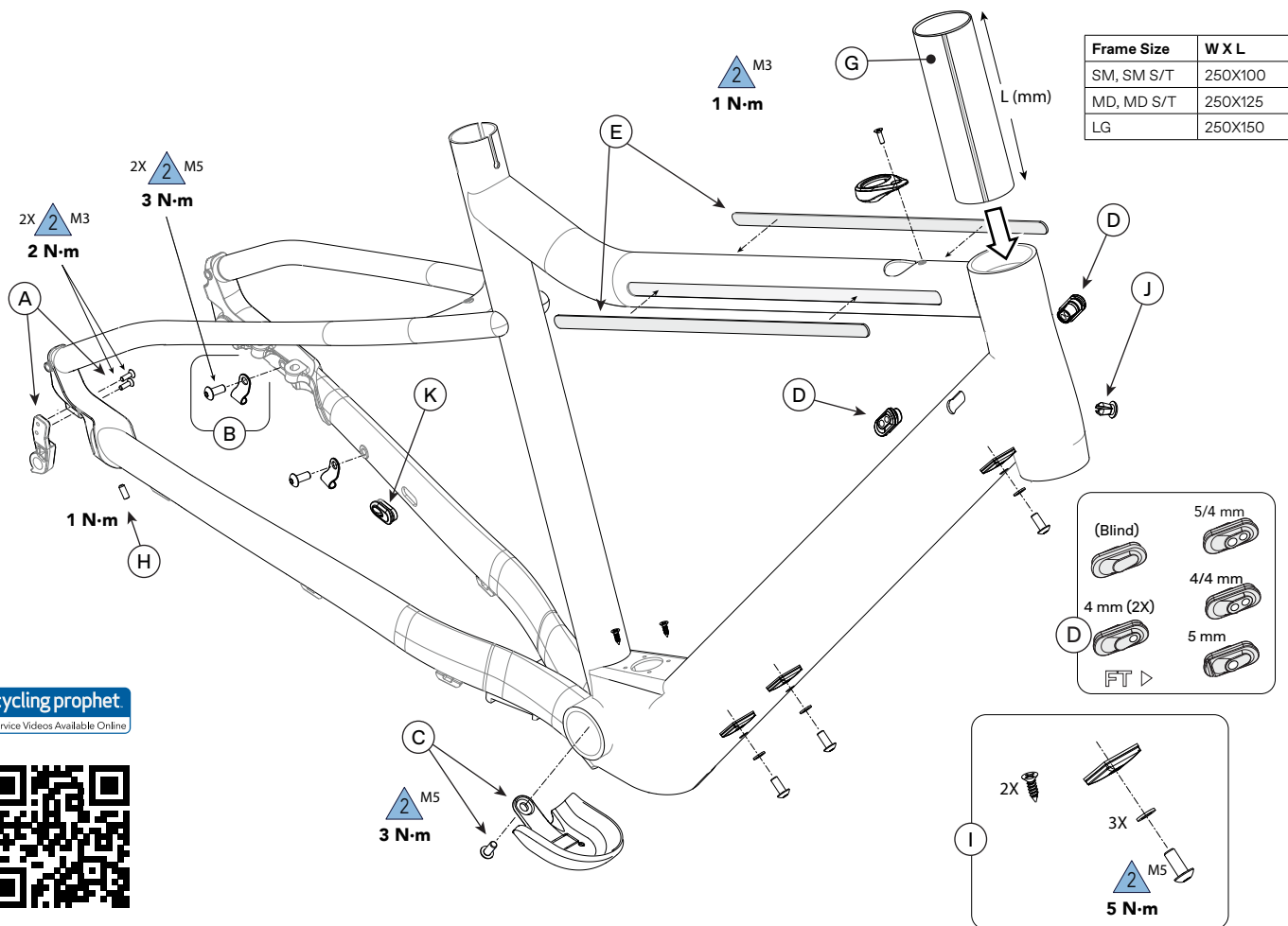


MAHLE ebikemotion® X35 Models

Item	Specification
Drive System	E-Bike Motion X35 M1-C
Battery	E-Bike Motion X35 B1-C
Drive-Assist Owner's Manual	https://www.ebikemotion.com/web/
Head Tube	UPR: 1-1/8in LWR: 1-1/8in
Headset	Semi-integrated, 1 1/8in -1 1/8in
Bottom Bracket: Type/Width	BSA/73mm
Front Derailleur	N/A
Seat Post: Dia./Binder	31.6mm/34.9mm

Item	Specification
▲ Min. Seat Post Insert	65mm
▲ Tire Size x Max. Tire Width	650b x 48mm
Brakes: Mount Type / Min./Max. Rotor Dia.	RR: Flat Mount/160mm/160mm, FT: Flat Mount/140mm/160mm
Axles: Type/Length	RR: EBM X35 FR: QR /100 x 9mm"
▲ Intended Use	ASTM CONDITION 2: General Purpose Riding
▲ Max. Weight Limit: Total (Rider+All Equipment)	305lbs/138kg

Frame Size	W X L
SM, SM S/T	250X100
MD, MD S/T	250X125
LG	250X150



cycling prophet
Service Videos Available Online



ID	Part Number	Description
A	K33050	Derailleur Hanger BT ST SS 077
B	K32240	NDS EBM Cable Clips (QTY 2)
C	K34030	Alloy Frame Battery Door
D	K32000	Shift/Brake Keyhole Grommets
E	K34000	Treadwell Top Tube Scuff Guard
F	K32230	Treadwell Neo Bezel
G	K34020	HT Plastic Cable Sheet
H	K33080	Dropout Bolts M4x10mm (QTY 2)
I	K76040	X35 Battery/Charge Mounting Hardware
J	K34090	DT Light Cable Grommet

ID	Part Number	Description
K	KP312/	Open Oval Grommet x10 (QTY 10)
--	K13000	Treadwell Front Rack w/ Bamboo Tray
--	K14040	Herrmans H-Trace E-Bike Rear Light
--	K21000	Cruise Control Handlebar 740 x 31.8mm
--	K83038	Ratchet Lever Maxle 100x12 125mm

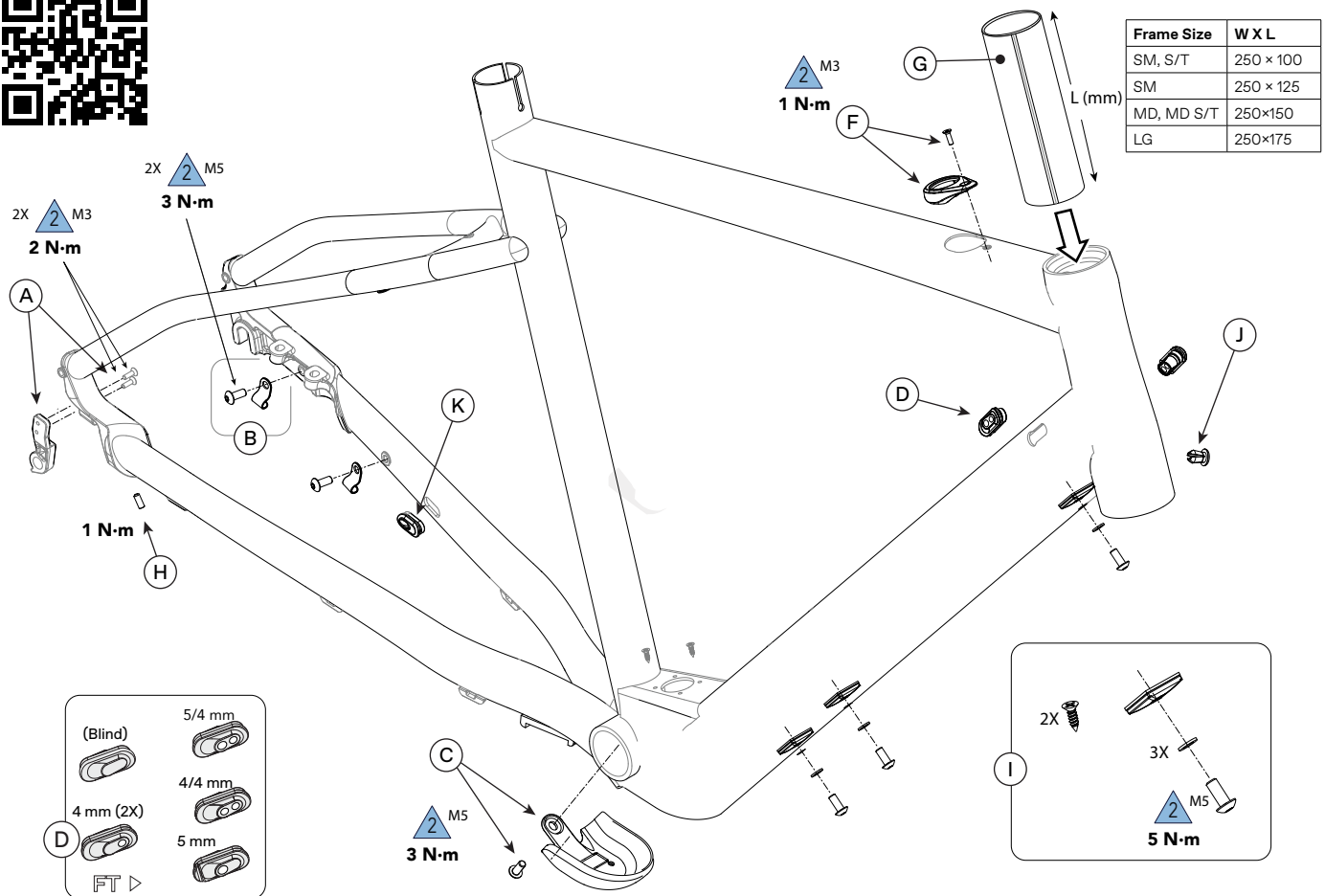
See also : "MAHLE ebikemotion® X35" common parts page.

Quick Neo SL

Item	Specification
Drive System	E-Bike Motion X35 M1-C
Battery	E-Bike Motion X35 B1-C
Drive-Assist Owner's Manual	https://www.ebikemotion.com/web/
Head Tube	UPR: 1-1/8in, LWR: 1-1/4in
Headset	Integrated, 1-1/8in - 1-1/4in
Bottom Bracket: Type/Width	BSA/73mm
Front Derailleur	N/A
Seat Post: Dia./Binder	31.6mm/34.9mm
▲ Min. Seat Post Insert	65mm

Item	Specification
▲ Tire Size x Max. Tire Width	700c x 42mm
Brakes: Mount Type / Min./Max. Rotor Dia.	RR: Flat Mount/160mm/160mm, FT: Flat Mount/140mm/160mm
Axles: Type/Length	RR: EBM X35 FR: Maxle TA/ 100×12 125mm length
▲ Intended Use	ASTM CONDITION 2: General Purpose Riding
▲ Max. Weight Limit: Total (Rider+All Equipment)	305lbs/138kg

cycling prophet
Service Videos Available Online



ID	Part Number	Description
A	K33050	Derailleur Hanger BT ST SS 077
B	K32240	NDS EBM Cable Clips Qty 2
C	K34030	Alloy Frame Battery Door
D	K32000	Shift/Brake Keyhole Grommets
G	K34020	HT Plastic Cable Sheet
H	K33080	Dropout Bolts M4×10mm Qty 2

ID	Part Number	Description
I	K76040	X35 Battery/Charge Mounting Hardware
J	K34090	DT Light Cable Grommet
K	KP312/	Open Oval Grommet x10 (QTY 10)
--	K14040	Herrmans H-Trace E-Bike Rear Light
--	K83038	Ratchet Lever Maxle 100×12 125mm

MAHLE ebikemotion® X35

2020

**OE Service And Replacement Parts Common To Bikes Equipped with
MAHLE Ebikemotion® X35 Drive System:**

Cannondale Part Number	Cannondale Part Description
K71000	EBM X35 B1-C Battery -6,9A
K74000	EBM Charger-C Without Wire - MDA
K74010	EBM Charging Point - Round Conn.
K75000	EBM Charger Wire For Europe
K75010	EBM Charger Wire For UK
K75020	EBM Charger Wire For USA Canada
K75030	EBM Charger Wire For Australia
K72000	EBM Hub Motor Drive Unit-M1-C UE
K72010	EBM Hub Motor Drive Unit-M1-C US
K76110	EBM Holder One - Curved
K76120	EBM Holder One - Flat
K76130	EBM Freewheel Nut
K76140	EBM Magnet Lock Nut
K76150	EBM Motor Lock Nut
K76160	EBM Torque Washer Nut
K76170	EBM Shield M1
K73000	EBM iWoc One Remote
K77000	EBM PAS Sensor B-Rround Conn.
K71010	EBM External Battery SP1 Holder Wire
K77010	EBM Wire L2 (Head+Rear)
K92000	EBM Tool X35 GCU
K92010	EBM Tool DUC Extension Wire With Diode
K92020	EBM Tool USB Stick
K92030	EBM X35 Tool Kit