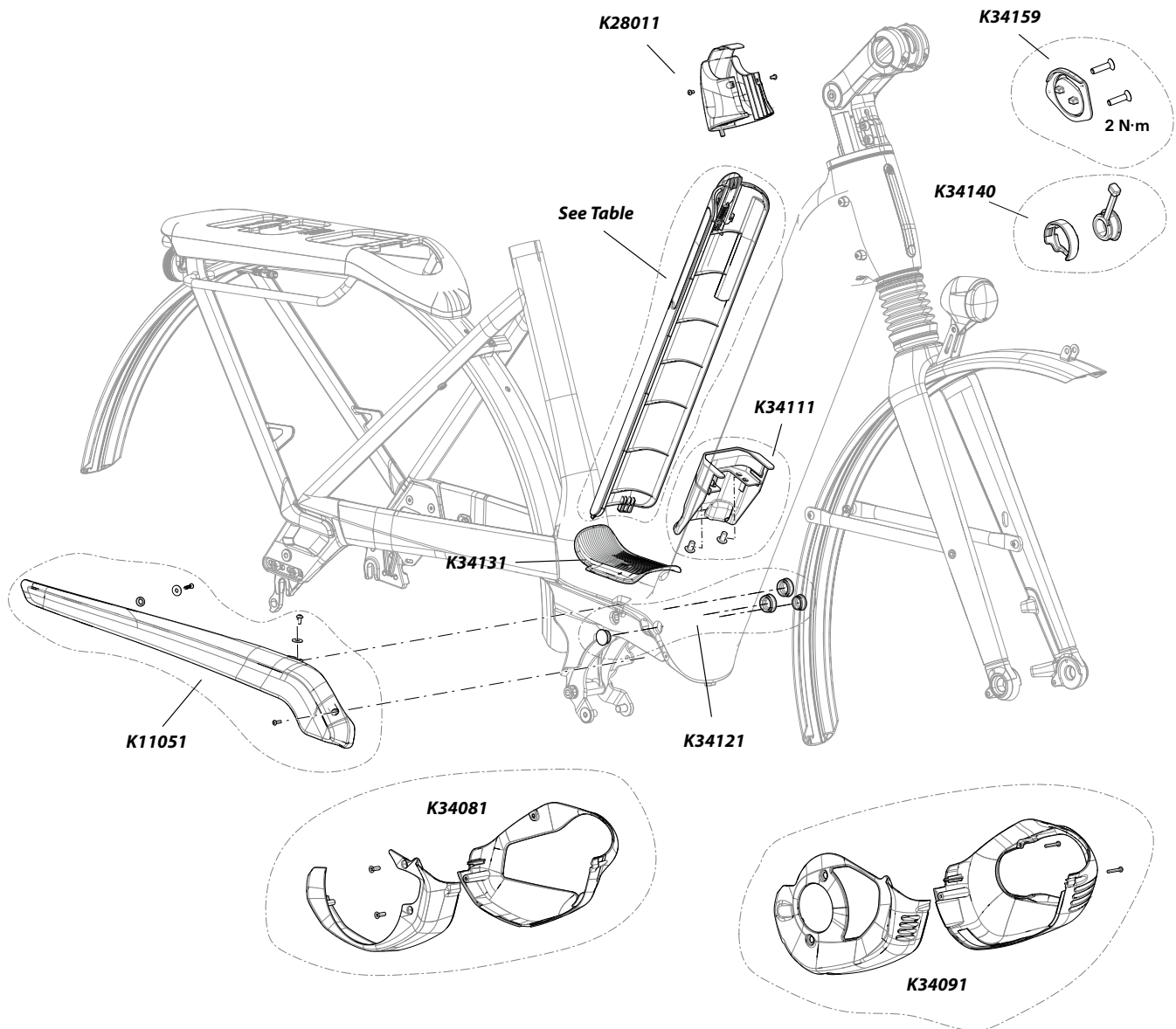


Mavaro Neo

2021



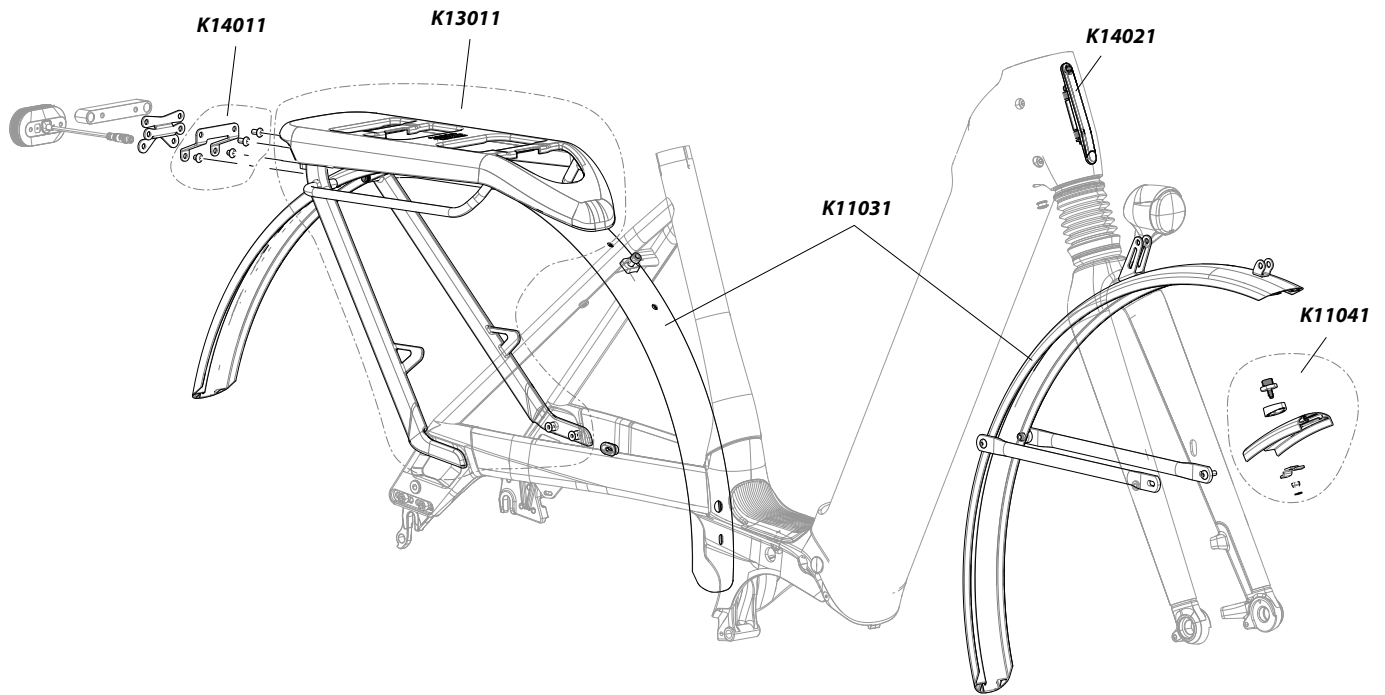
Guards/Covers

ID	Part Number	Description
	K34121	Node Plugs
	K11051	Mavaro Neo Chainguard
	K34131	Remixte DT Guard
	K28011	Mavaro Neo Stem Cover
	K34159	Charge Port Cover V2
	K34140	Key Hole Cover w/ Leash
	K34111	Gen 3 Battery Gap Cover

ID	Part Number	Description
	K3410110	Battery Cover Top Exit GRY
	K3410130	Battery Cover Top Exit CHP
	K3410140	Battery Cover Top Exit MDN
	K3410150	Battery Cover Top Exit CRD
	K34081	Mavaro Neo Gen 3 Motor Cover
	K34091	Mavaro Neo Gen 4 Motor Cover
	K3410170	Battery Cover Top Exit BLK

Mavaro Neo

2021



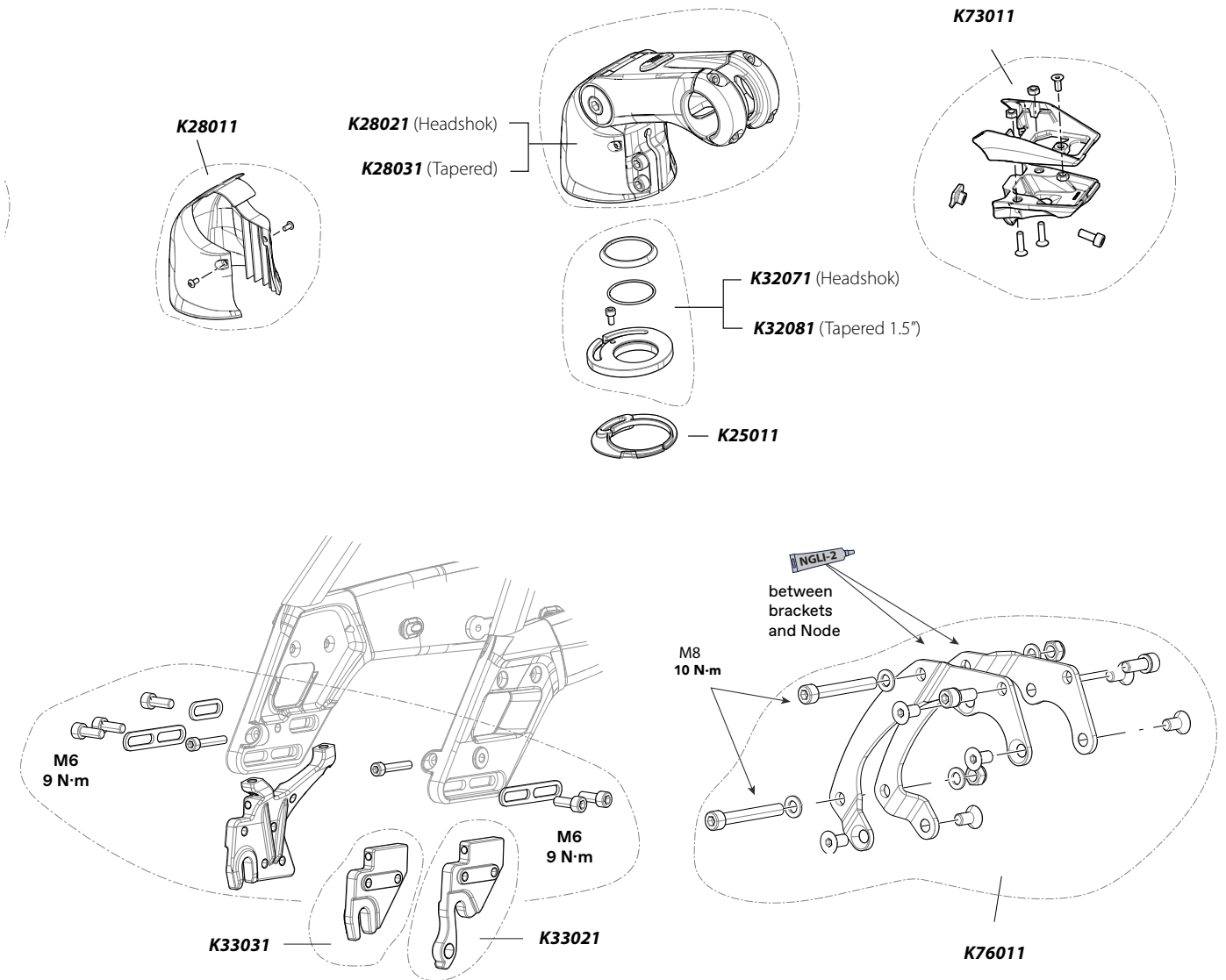
Rear Rack/ Lighting/Fenders (Mud Guards)

ID	Part Number	Description
	K13011	Mavaro Neo Rear Rack
	K14011	Mavaro Neo Light and Radar Mount
	K11031	Mavaro Neo Fender Set

ID	Part Number	Description
	K11041	Mavaro Neo Front Fender Mount Hardware
	K14021	Mavaro Neo Headtube Light

Mavaro Neo

2021



Frame/Stem/Dropouts

ID	Part Number	Description
	K32071	Mavaro Neo Headshok Steerer Cable Guide
	K32081	Mavaro Neo 1.5" Steerer Cable Guide
	K25011	Mavaro Neo Steerer Stop
	K28021	Mavaro Neo Headshok Stem
	K28031	Mavaro Neo 1.5" Stem
	K28011	Mavaro Neo Stem Cover
	K73011	Mavaro Neo Kiox Display mount

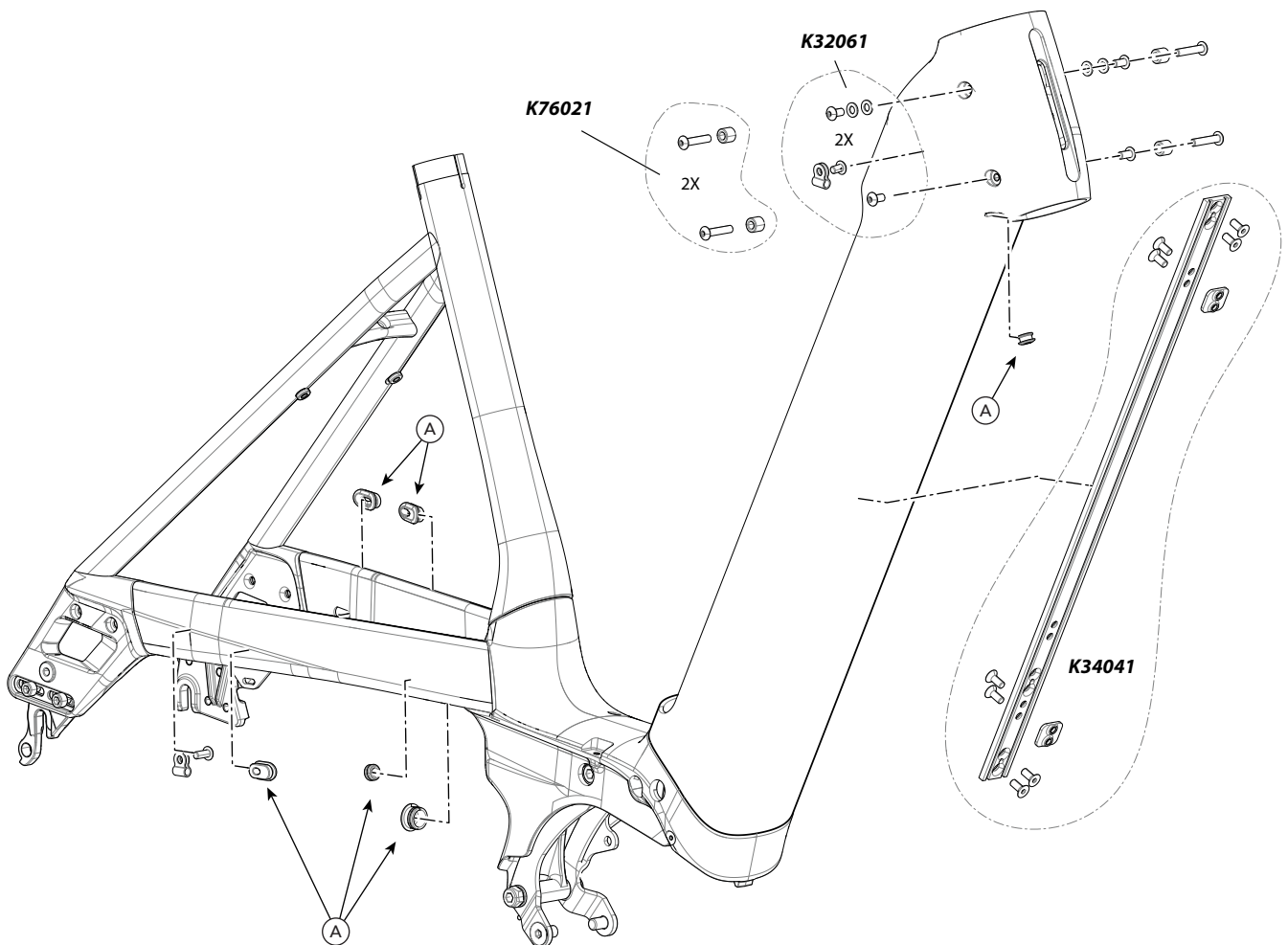
ID	Part Number	Description
	K33021	Derailleur Hanger QR ST DS 079
	K33031	Derailleur Hanger QR SS DS 080
	K76011	Mavaro Neo Gen 4 DU Mounting Hardware

Mavaro Neo

2021

Item	Specification
Drive System	Bosch Performance Line CX Bosch Performance Line Bosch Active Line Plus
Battery	Bosch Powertube 625Wh Bosch Powertube 500Wh
Drive-Assist Owner's Manual	https://www.bosch-ebike.com/
Head Tube	Cannondale Si
Headset	Integrated, Cannondale HeadShok 1.56"
Bottom Bracket: Type/Width	Bosch Drive Unit
Front Derailleur	N/A
Seat Post: Dia./Binder	31.6mm/36.4mm
Min. Seat Post Insert	65mm
Max. Seat Post Insert	SM: 190mm MD: 270mm LG:330mm

Item	Specification
Tire Size x Max. Tire Width	700c x 48mm
Brakes: Mount Type / Min./Max. Rotor Dia.	RR: Post Mount / 160mm/180mm
Axles: Type/Length	RR: QR/135x9mm or Internal Gear Hub
Intended Use	ASTM CONDITION 2: General Purpose Riding
Max. Weight Limit: Total (Rider+All Equipment)	330 lbs/150kg



Frame

ID	Part Number	Description
A	K32048	Shift And Brake Grommets
	K34041	Mavaro Neo Battery Rail Mounting Kit
	K76021	Mavaro Neo HT Bottle Cage Spacer Kit

ID	Part Number	Description
	K32061	Mavaro Neo Frame Cable Guides
	K34041	Mavaro Neo Battery Rail Mounting Kit
	K76011	Mavaro Neo Gen 4 DU Mounting Hardware