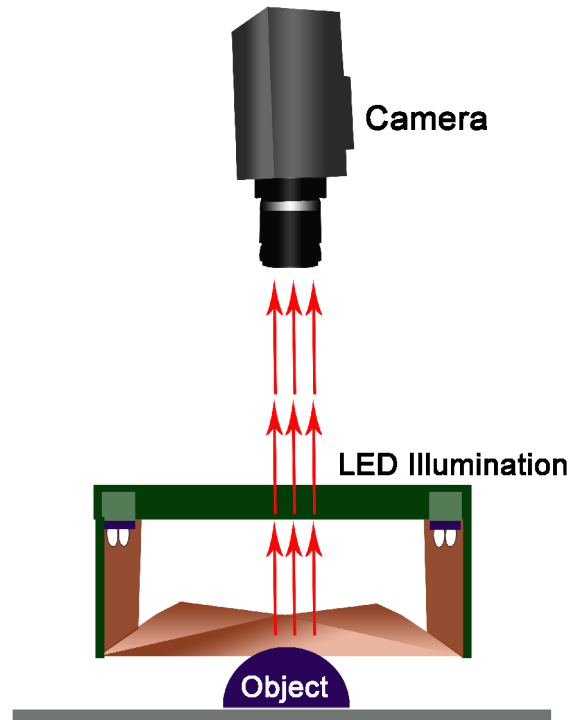
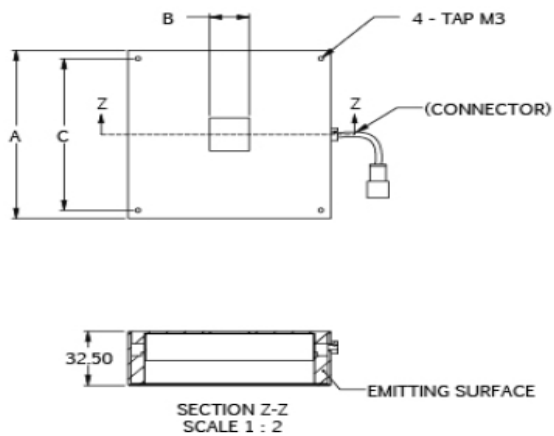
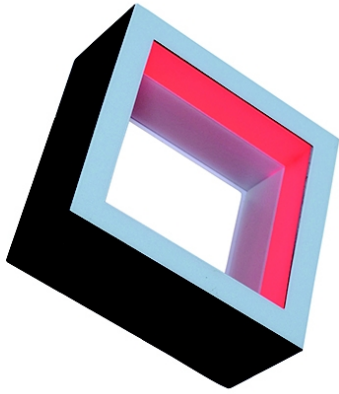


DLQ2 & DLF2 Series – Diffused Square Illumination

DLQ2 & DLF2 series provides diffused even illumination from the side. It is suitable for the inspection of rectangular work-pieces.

Application: BGA inspection and QFP lead inspection.



Model	Dimensions (mm)			Color	Voltage/ Watt	Current
	A	B	C			
DLQ2-90-030-1-X	31.8	10	21	●	24V / 1.44W	60mA
				● ● ○	24V / 1.44W	60mA
DLQ2-90-050-1-X	50.8	10	40	●	24V / 2.88W	120mA
				● ● ○	24V / 2.88W	120mA
DLQ2-90-070-1-X	76.2	20	66	●	24V / 2.88W	120mA
				● ● ○	24V / 4.32W	180mA
DLQ2-90-100-1-X	101.6	20	91.5	●	24V / 4.32W	180mA
				● ● ○	24V / 5.76W	240mA
DLF2-90-050-1-X	50.8	26	40	●	24V / 2.88W	120mA
				● ● ○	24V / 2.88W	120mA
DLF2-90-070-1-X	76.2	55	66	●	24V / 2.88W	120mA
				● ● ○	24V / 4.32W	180mA
DLF2-90-100-1-X	101.6	80	91.5	●	24V / 4.32W	180mA
				● ● ○	24V / 5.76W	240mA