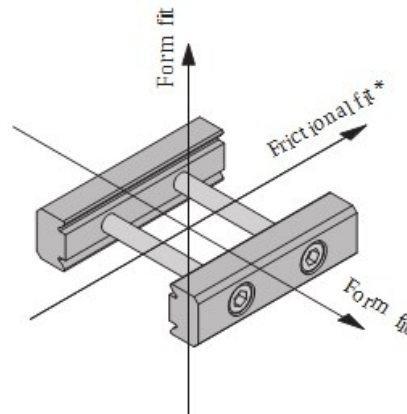
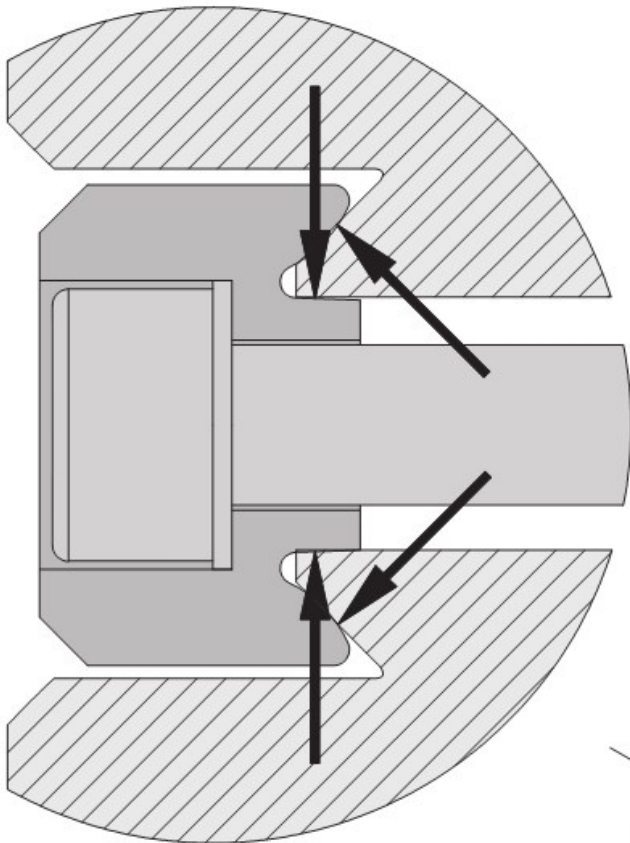


EyeMount catalog 2016

Contents

1. Product Description



* With the screws tightened to 6 Nm torque, the strength of resistance to displacement between two interconnected profiles is 3000 N.

1.1. Quick-Set Modular System

Quick-Set is a universal modular system for mounting elements. The system makes it possible for fast installation without machining the profile ends. A variety of mounting options can be obtained with a minimum of individual elements.

Quick-Set can be adjusted easily, quickly and precisely, without the need for drilling or pinning. Quick-Set is suitable for precise dimensionally-stable connections. It's dovetail connections can be subjected to larger loads than T-slot connections. With the screws tightened to the correct torque, the strength of the resistance to displacement between two interconnected profiles is 3000N.

1.2. Quick-Set Connections



Quick-Set-connections are vibration proof and highly suitable for demanding applications. The connections established are precise, regardless of the treatment of the profile end. Quick-Set makes it possible to set up linear connections as well as connections with adjustable angles.

Its excellent flexibility makes it easy to reinforce mounting elements (vertical supports, horizontal carriers/diagonal braces).

All the clamping screws of the mounting elements are always accessible.

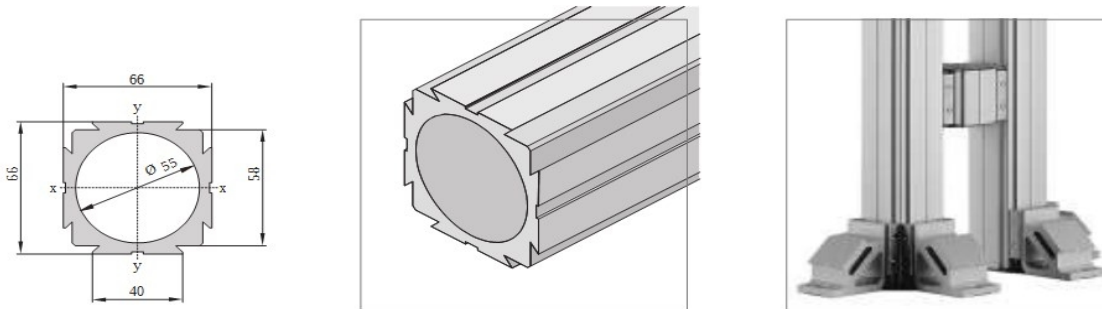
It is simple to disassemble and reuse the mounting elements at any time; clamping connections leave no drillholes, so profiles can be reused.

2. Profiles QS40

2.1. Supporting profile EyeMount TP-66-40

Precision-extruded aluminum profile to DIN 17615, warm hardened, surface anodized natural, smooth ends.
Suitable for substructures and mounting elements which are exposed to dynamic loads.

Profile area	1480 mm ²
Section modulus	$W_x = W_y = 23 \text{ cm}^3$
Moment for inertia	$J_x = J_y = 76 \text{ cm}^4$
Tolerance length	DIN 7168
Distortion tolerance	1 mm/m
Straightness tolerance	0.5 mm/m
Weight	3.996 kg/m



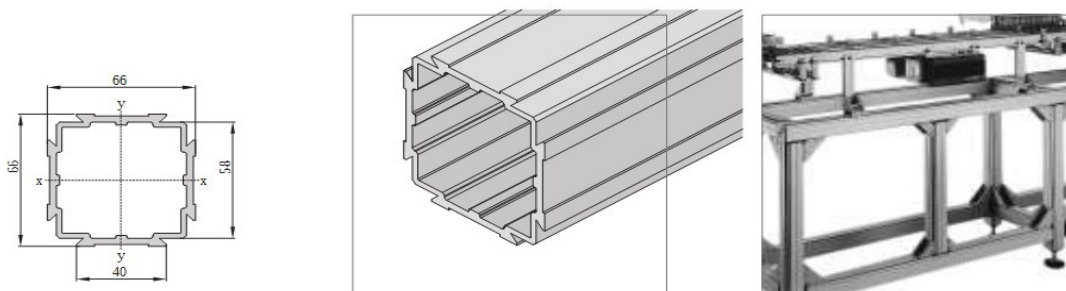
EyeMount TP-66-40

Article	Name	Art. No.	
Supporting profile	EM TP-66-40/2000	EM42852N2000	
Supporting profile	EM TP-66-40/3000	EM42852N3000	
Supporting profile 4 pieces	EM TP-66-40/4x2000	EM42852N4x2m	
Supporting profile 4 pieces	EM TP-66-40/4x3000	EM42852N4x3m	

2.2. Light Profile LP-66-40

Precision-extruded aluminum profile to DIN 17615, warm hardened, surface anodized natural, smooth ends.
Suitable for substructures and mounting elements which are not exposed to dynamic loads.

Profile area	809 mm ²
Section modulus	$W_x = W_y = 13 \text{ cm}^3$
Moment for inertia	$J_x = J_y = 45 \text{ cm}^4$
Tolerance length	DIN 7168
Distortion tolerance	1 mm/m
Straightness tolerance	0.5 mm/m
Weight	2.186 kg/m



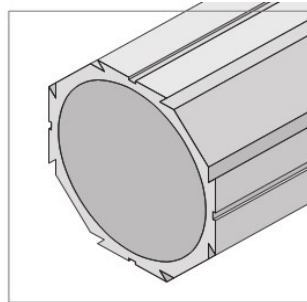
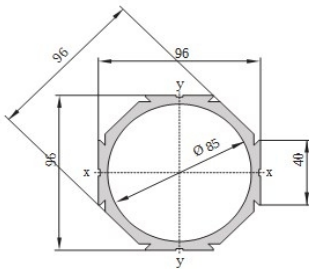
EyeMount LP-66-40

Article	Name	Art. No.	
Light profile	EM LP-66-40/2000	EM49260N2000	
Light profile	EM LP-66-40/3000	EM49260N3000	

2.3. Supporting profile EyeMount TP-96-40

Precision-extruded aluminum profile to DIN 17615, warm hardened, surface anodized natural, smooth ends.

Profile area	1767 mm ²
Section modulus	$W_x = W_y = 37.82 \text{ cm}^3$
Moment for inertia	$J_x = J_y = 181.53 \text{ cm}^4$
Tolerance length	DIN 7168
Distortion tolerance	1 mm/m
Straightness tolerance	0.5 mm/m
Weight	4.771 kg/m



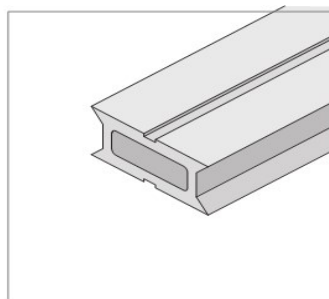
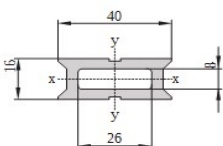
EyeMount TP-96-40

Article	Name	Art. No.	
Supporting profile	EM TP-96-40/3000	EM43207N3000	

2.4. Supporting profile EyeMount TP-16-40

Precision-extruded aluminum profile to DIN 17615, warm hardened, surface anodized natural, smooth ends.

Profile area	368 mm ²
Section modulus	$W_x = 1.025 \text{ cm}^3 / W_y = 1.640 \text{ cm}^3$
Moment for inertia	$J_x = 0.820 \text{ cm}^4 / J_y = 3.280 \text{ cm}^4$
Tolerance length	DIN 7168
Distortion tolerance	1 mm/m
Straightness tolerance	0.5 mm/m
Weight	0.980 kg/m



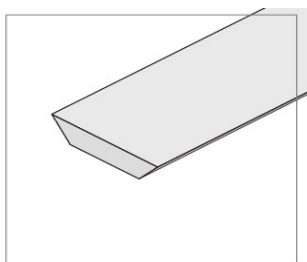
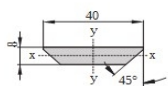
EyeMount TP-16-40

Article	Name	Art. No.	
Supporting profile	EM TP-16-40/1000	EM44207N1000	
Supporting profile	EM TP-16-40/2000	EM44207N2000	

2.5. Adapter profile EyeMount AP-40-40

Precision-extruded aluminum profile to DIN 17615, warm hardened, surface anodized natural, smooth ends.
Used for making adapters.

Profile area	271 mm ²
Section modulus	Wx = 0.32 cm ³ / Wy = 1.36 cm ³
Moment for inertia	Jx = 0.14 cm / Jy = 2.72 cm
Tolerance length	DIN 7168
Distortion tolerance	1 mm/m
Straightness tolerance	0.5 mm/m
Weight	0.732 kg/m



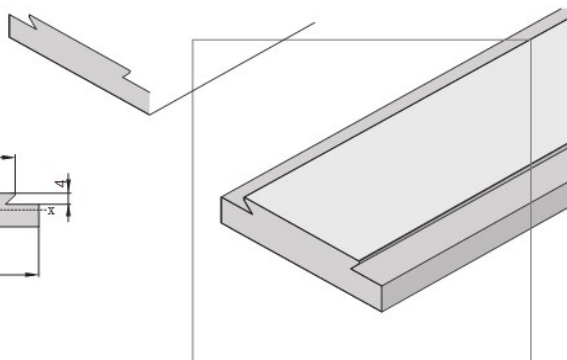
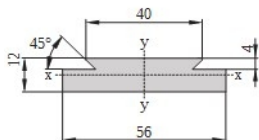
EyeMount AP-40-40

Article	Name	Art. No.	
Adapter profile	EM AP-40-40/1000	EM41258N1000	
Adapter profile	EM AP-40-40/2000	EM41258N2000	

2.6. Adapter profile EyeMount AP-56-40

Precision-extruded aluminum profile to DIN 17615, warm hardened, surface anodized natural, smooth ends.
Used for making adapters.

Profile area	271 mm ²
Section modulus	Wx = 0.32 cm ³ / Wy = 1.36 cm ³
Moment for inertia	Jx = 0.14 cm / Jy = 2.72 cm
Tolerance length	DIN 7168
Distortion tolerance	1 mm/m
Straightness tolerance	0.5 mm/m
Weight	0.732 kg/m

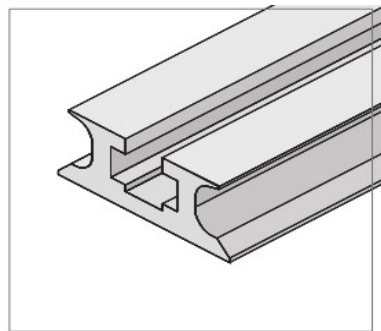
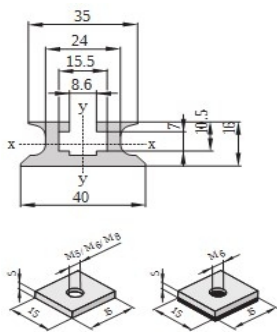


Article	Name	Art. No.	
Adapter profile	EM AP-56-40/1000	EM46253N1000	
Adapter profile	EM AP-56-40/2000	EM46253N2000	

2.7. DIN profile rail EyeMount DP-40

Precision-extruded aluminum profile to DIN 17615, warm hardened, surface anodized natural.
With T-slot for M5, M6 and M8 square nut (non slip with drop protection) of steel, chemically nickel-plated.

Section modulus	$W_x = 1.346 \text{ cm}^3$ $W_y = 1.7466 \text{ cm}^3$
Tolerance length	DIN 7168
Weight	0.8546 kg/m



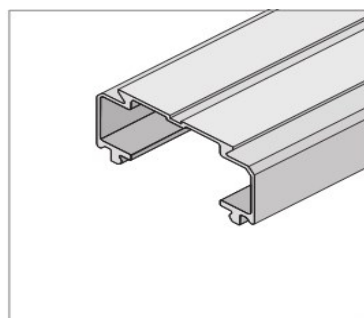
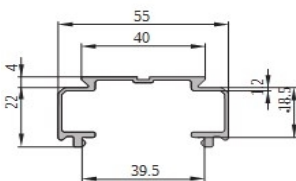
EyeMount DP-40

Article	Name	Art. No.	
DIN profile rail	EM DP-40/2000	EM45088N2000	

2.8. Cable duct, multiple EyeMount KFM-40

Snap-on profile for routing pneumatic hoses and electric cables - aluminum, warm hardened, surface anodized natural.

Tolerance length	DIN 7168
Weight	0.549 kg/m



EyeMount KFM-40

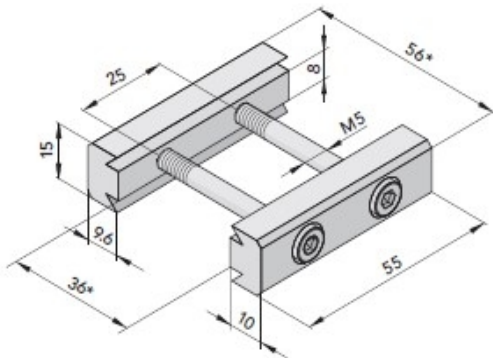
Article	Name	Art. No.	
Cable duct	EM KFM-40/1000	EM45229N1000	
Cable duct	EM KFM-40/2000	EM45229N2000	

3. Clamping Elements QS40

3.1. Clamping element, longitudinal / longitudinal SLL-55-40

Standard connector for joining dovetail with heavy loads – aluminum, anodized natural.

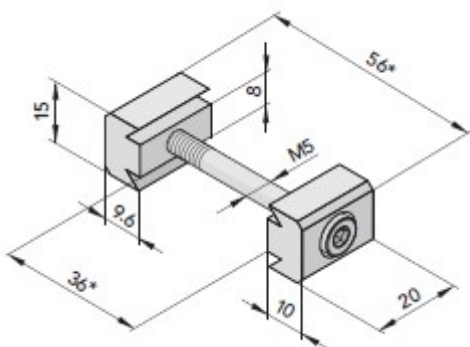
Resistance to displacement (two profiles against one another)	2000 N
Required torque	6 Nm
Parallelism of the clamped surfaces	± 0.02 mm
Weight	0.055 kg/m



3.2. Clamping element, longitudinal / longitudinal SLL-20-40

Standard connector for joining dovetail with medium loads – aluminum, anodized natural.

Resistance to displacement (two profiles against one another)	1000 N
Required torque	6 Nm
Parallelism of the clamped surfaces	± 0.02 mm
Weight	0.020 kg/m

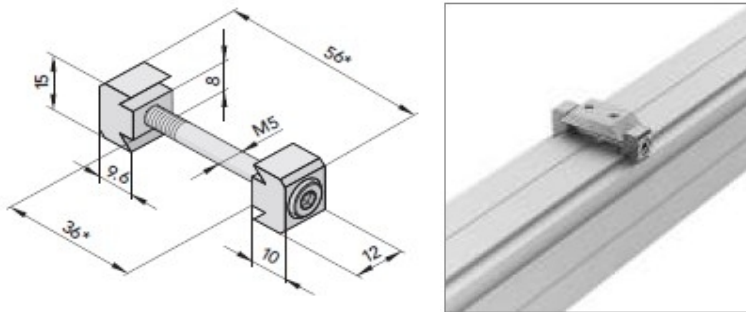


--	--	--	--

3.3. Clamping element, longitudinal / longitudinal SLL-12-40

Standard connector for joining dovetail with light loads – aluminum, anodized natural.

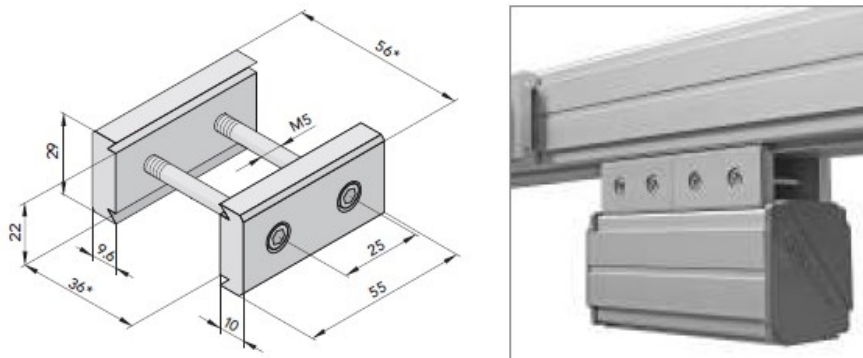
Resistance to displacement (two profiles against one another)	750 N
Required torque	6 Nm
Parallelism of the clamped surfaces	± 0.02 mm
Weight	0.016 kg/m



3.4. Clamping element, longitudinal / longitudinal SLL-55/22-40

Standard connector for joining dovetail with heavy loads and increased distance – aluminum, anodized

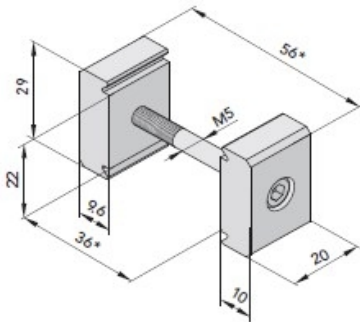
Resistance to displacement (two profiles against one another)	2000 N
Required torque	6 Nm
Parallelism of the clamped surfaces	± 0.02 mm
Weight	0.096 kg/m



3.5. Clamping element, longitudinal / longitudinal SLL-20/22-40

Standard connector for joining dovetail with medium loads and increased distance – aluminum, anodized natural.

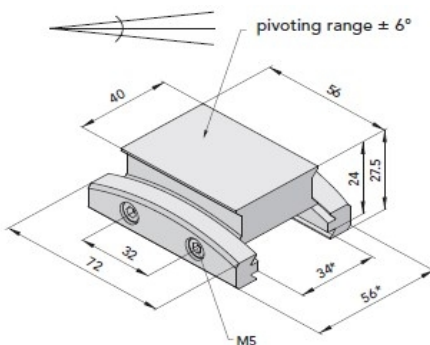
Resistance to displacement (two profiles against one another)	1000 N
Required torque	6 Nm
Parallelism of the clamped surfaces	± 0.02 mm
Weight	0.022 kg/m



3.6. Clamping element SSE-55/±6° -40N

Standard connector for joining dovetail with medium loads and increased distance – aluminum, anodized natural.

Resistance to displacement (two profiles against one another)	1000 N
Required torque	6 Nm
Weight	0.140 kg/m



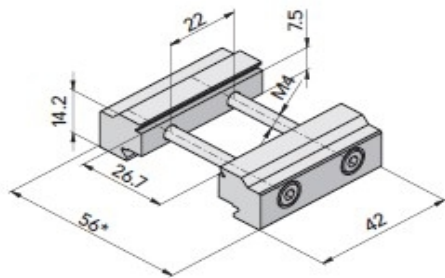
EyeMount SLL-xx/xx-40

Article	Name	Art. No.	
Clamping element, longitud. / longitud.	EM SLL-55-40	EM40201N	
Clamping element, longitud. / longitud.	EM SLL-20-40	EM41190N	
Clamping element, longitud. / longitud.	EM SLL-12-40	EM44568N	
Clamping element, longitud. / longitud.	EM SLL-55/22-40	EM45942N	
Clamping element, longitud. / longitud.	EM SLL-20/22-40	EM49458N	
Pivot Clamping element	EM SSE-55/±6°-40	EM54638N	

3.7. Adapter for connecting UV-30-40

Standard connector for joining dovetail with heavy loads – aluminum, anodized natural.

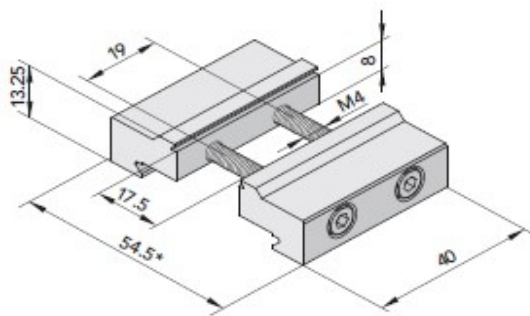
Resistance to displacement (two profiles against one another)	1400 N
Required torque	3 Nm
Parallelism of the clamped surfaces	± 0.02 mm
Weight	0.045 kg/m



3.8. Transition connector UV-20-40

Connector between size 20 and size 40 – aluminum, surface natural anodized.

Resistance to displacement	500 N
Required torque	3 Nm
Parallelism of the clamped surfaces	± 0.03 mm
Weight	0.045 kg/m



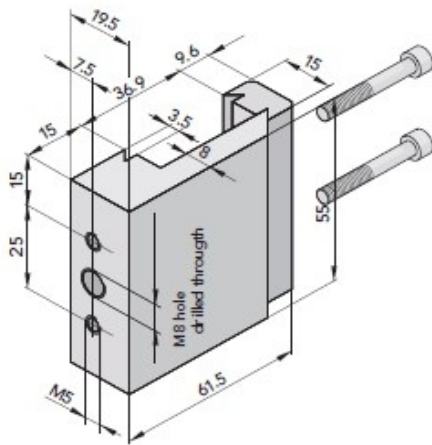
EyeMount UV-30-40 & UV-20-40

Article	Name	Art. No.	
Clamping element, longitud. / longitud.	EM SLL-55-40	EM40201N	
Clamping element, longitud. / longitud.	EM SLL-20-40	EM41190N	

3.9. Plate connectors VP-40

For mounting plates to profiles - aluminum, anodized natural.

Resistance to displacement (of the connectors)	1875 N
Required torque	6 Nm
Weight	0.120 kg



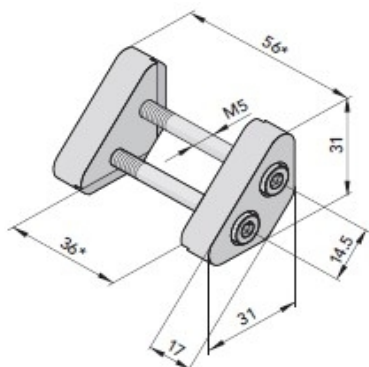
EyeMount VP-40

Article	Name	Art. No.	
Plate connector	EM VP-40	EM44603N	

3.10. Corner-piece EV-2-40

Bracket for connecting light loads at 90° - aluminum, anodized natural.

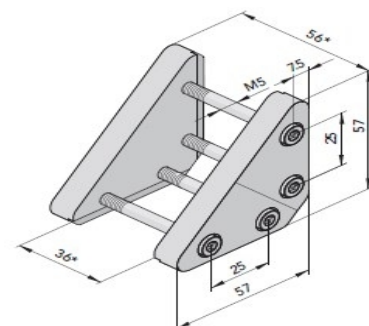
Resistance to displacement	1800 N
Required torque	6 Nm
Perpendicularity of the clamping Grooves (referred to a length of 19 mm)	± 0.02 mm
Weight	0.050 kg



3.11. Corner-piece EV-3-40

Bracket for connecting light loads at 90° - aluminum, anodized natural.

Resistance to displacement	3000 N
Required torque	6 Nm
Perpendicularity of the clamping Grooves (referred to a length of 19 mm)	± 0.03 mm
Weight	0.130 kg



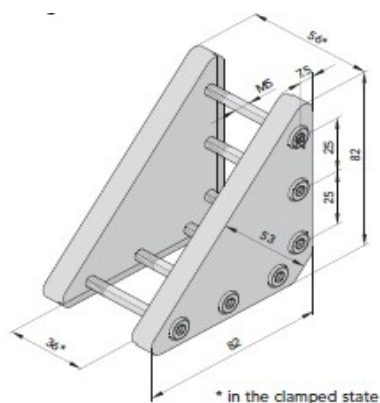
EyeMount EV-2-40 & EV-3-40 (4 pieces)

Article	Name	Art. No.	
Corner-piece	EM EV-2-40	EM44607N	
Corner-piece (4 pieces)	EM EV-3-40	EM59296N	

3.12. Corner-piece EV-4-40 (4 pieces)

Bracket for connecting heavy loads at 90° - aluminum, anodized natural.

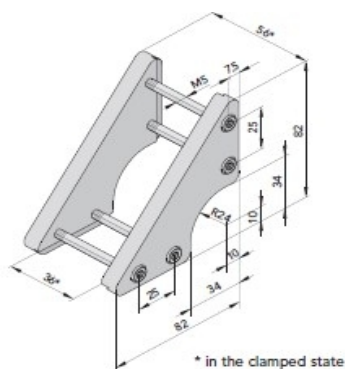
Resistance to displacement	4500 N
Required torque	6 Nm
Perpendicularity of the clamping Grooves (referred to a length of 70 mm)	± 0.04 mm
Weight	0.250 kg



3.13. Corner-piece EVD-4-40

Bracket for connecting light loads at 90° - aluminum, anodized natural.

Resistance to displacement	3000 N
Required torque	6 Nm
Perpendicularity of the clamping Grooves (referred to a length of 19 mm)	± 0.04 mm
Weight	0.200 kg



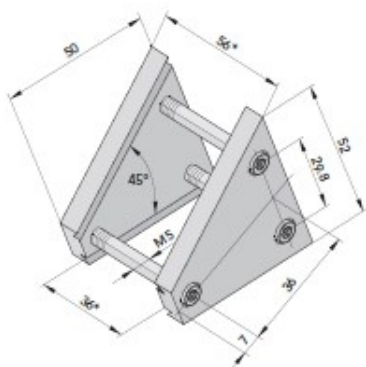
EyeMount EV-4-40 (4 pieces) & EVD-4-40

Article	Name	Art. No.	
Corner-piece (4 pieces)	EM EV-4-40	EM59297N	
Corner-piece	EM EVD-4-40	EM46565N	

3.14. Corner-piece EV-3/45-40

Bracket connector for 45° - aluminum, anodized natural.

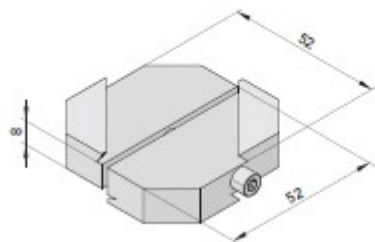
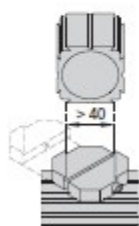
Resistance to displacement	2000 N
Required torque	6 Nm
Weight	0.1 kg



3.15. Cross-connector KV-40

Used to join two perpendicular dovetails - aluminum, anodized natural.

Resistance to displacement	1000 N
Required torque	6 Nm
Weight	0.060 kg



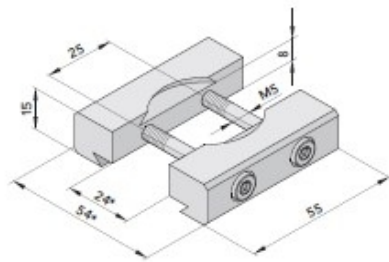
EyeMount EV-3/45-40 & KV-40

Article	Name	Art. No.	
Corner-piece	EM EV-3/45-40	EM45241N	
Cross-connector	EM KV-40	EM44984N	

3.16. Clamping element, longitudinal-round SLR-15-40

Connector between round dovetail and linear dovetail - aluminum, anodized natural.

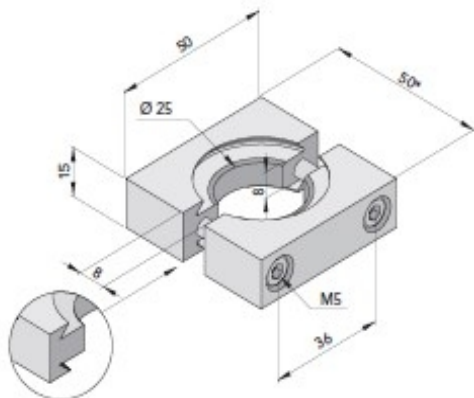
Resistance to displacement	2000 N
Torsional strength	90 Nm
Required torque	6 Nm
Parallelism of the clamped surfaces	± 0.03 mm
Weight	0.070 kg



3.17. Clamping element, round-round SRR-40

Connector between two round dovetails - aluminum, anodized natural.

Resistance to turn	90 Nm
Required torque	6 Nm
Parallelism of the clamped surfaces	± 0.03 mm
Weight	0.070 kg



EyeMount SLR-15-40 & SRR-40

Article	Name	Art. No.	
Clamping element, longitudinal-round	EM SLR-15-40	EM40202N	
Clamping element, round-round	EM SRR-40	EM40200N	

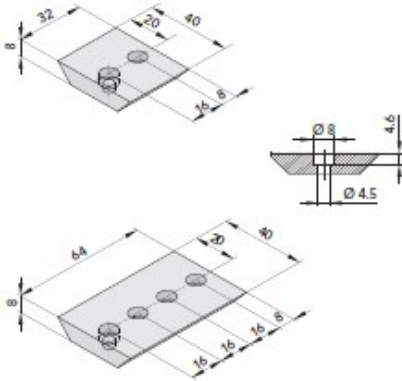
4. Connectors QS40

4.1. Clamping profile SP-32E-40/SP-64E-40

Adapter with one row of holes – aluminum, anodized natural.

Weight:

SP-32E-40	0.022 kg
SP-64E-40	0.043 kg

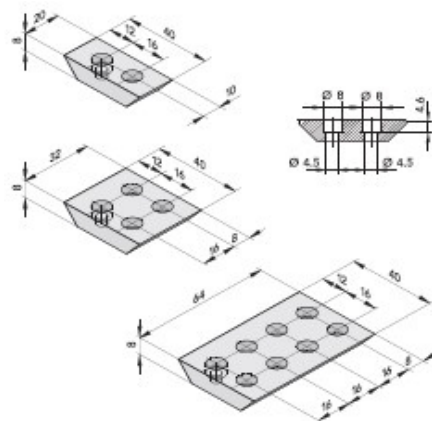


4.2. Clamping profile SP-20D-40/SP-32D-40/SP-64D-40

Adapter with two rows of holes – aluminum, anodized natural.

Weight:

SP-20D-40	0.013 kg
SP-32D-40	0.020 kg
SP-64D-40	0.040 kg



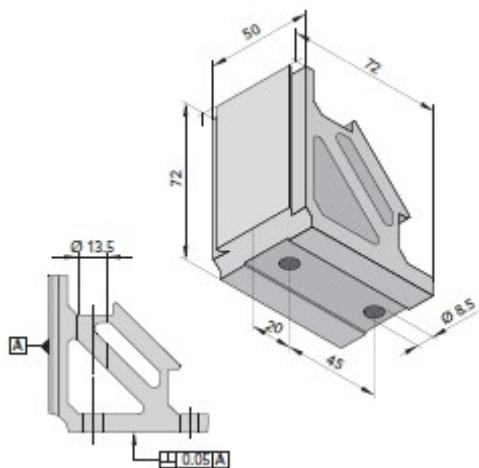
EyeMount SP-32E-40/ SP-64E-40 & SP-20D-40/ SP-32D-40/ SP-64D-40

Article	Name	Art. No.	
Clamping profile	EM SP-32E-40	EM41134N	
Clamping profile	EM SP-64E-40	EM41135N	
Clamping profile	EM SP-20D-40	EM41131N	
Clamping profile	EM SP-32D-40	EM41132N	
Clamping profile	EM SP-64D-40	EM41133N	

4.3. Base Bracket BW-40

For rigid joints to the floor or table-top – aluminum, anodized natural.

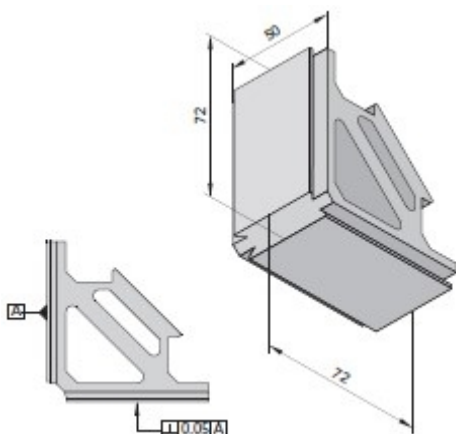
Weight: 0.360 kg



4.4. 90° Angle Bracket KW-40

Adapter with two rows of holes – aluminum, anodized natural.

Weight: 0.220 kg



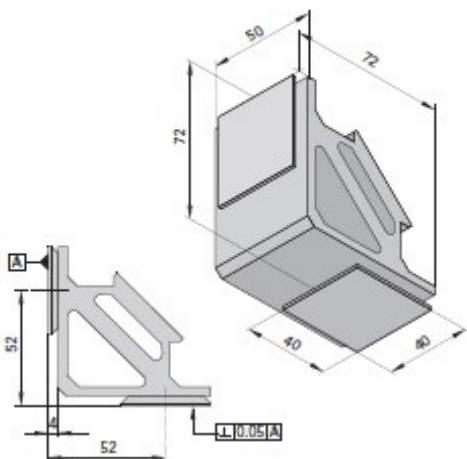
EyeMount BW-40 & KW-40

Article	Name	Art. No.	
Base Bracket	EM BW-40	EM45715N	
Angel Bracket	EM KW-40	EM45716N	

4.5. Adjusting Bracket EW-40

Used for joining two perpendicular components, which are individually Adjustable in two axes – aluminum, anodized natural.

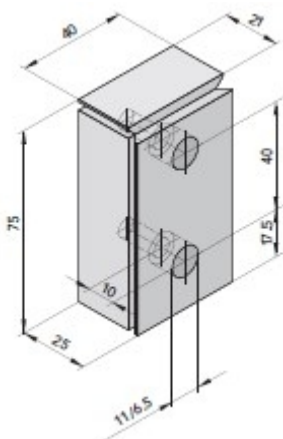
Weight: 0.204 kg



4.6. Connector V-90-40

Used for joining two components perpendicular to one another – aluminum, anodized natural.

Perpendicularity
Between contact surfaces
Referred to a leg length 75 ± 0,02 mm
Weight: 0.224 kg



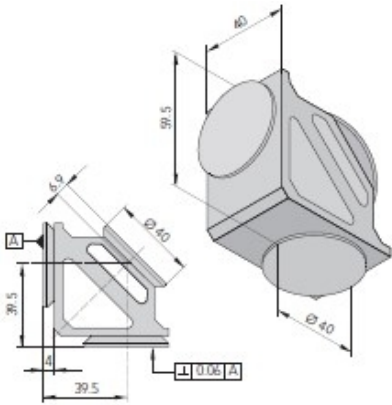
EyeMount EW-40 & V-90-40

Article	Name	Art. No.	
Adjusting Bracket	EM EW-40	EM45851N	
Connector	EM V-90-40	EM42397N	

4.7. Adjusting Bracket, round EWR-40

Adjusting bracket for angular joints – aluminum, anodized natural.

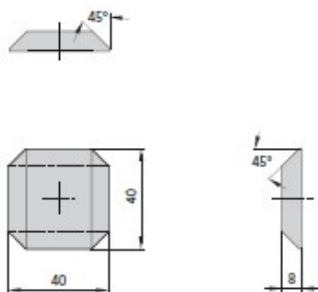
Weight: 0.172 kg



4.8. Cross element KE-40

For fixing two perpendicular dovetails for light loads – aluminum, anodized natural.

Weight: 0.030 kg



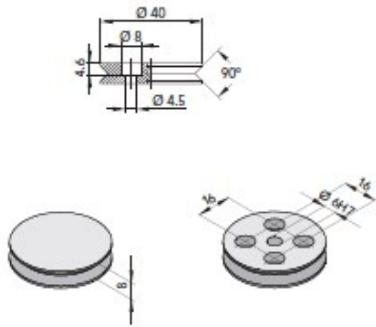
EyeMount EWR-40 & KE-40

Article	Name	Art. No.	
Adjusting Bracket, round	EM EWR-40	EM45852N	
Cross element	EM KE-40	EM40779N	

4.9. Turntable DS-0-40 / DS-4-40

For fixing two dovetails with an angular displacement (DS-0-40),
 Or rotationally adjustable adapters between any surface and dovetail (DS-4-40) –
 Aluminum, anodized natural.

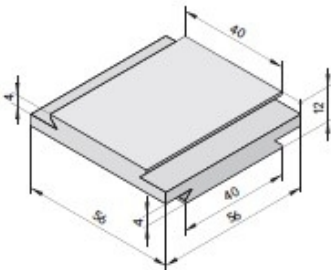
Weight: 0.024 kg



4.10. Cross element, reinforced KEV-40

For fixing two perpendicular dovetails for heavy loads – aluminum, anodized natural.

Weight: 0.077 kg



EyeMount DS-0-40 / DS-4-40 & KEV-40

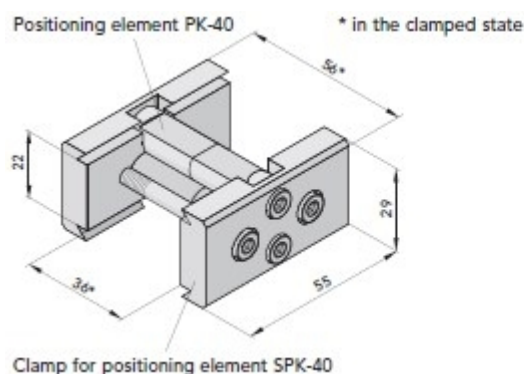
Article	Name	Art. No.	
Turntable (no holes)	EM DS-0-40	EM40857N	
Turntable (4 holes)	EM DS-4-40	EM42386N	
Cross element, reinforced	EM KEV-40	EM46199N	

5. Accessories

5.1. Positioning clamp PK-40 / SPK-40

A connector that performs the function of “pinning” - aluminum, anodized black.

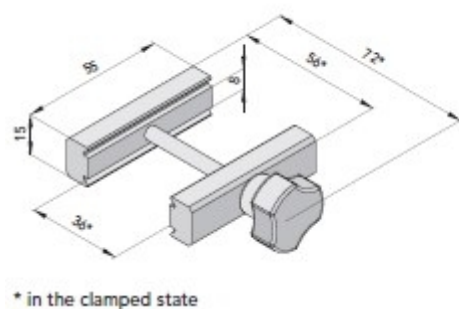
Reposition repeatability	± 0.05 mm
Resistance to displacement (two profiles against one another)	5250 N
Required torque PK	2 Nm
Required torque SPK	6 Nm
Parallelism of the clamped surfaces	± 0.02 mm
Weight	0.156 kg



5.2. Clamping element with lobe knob SLL-55-40

Connector for joining dovetails, only for light loads – aluminum, anodized natural.
Wedging the dovetails by means at lobe knob.

Parallelism of the clamped surfaces	± 0.02 mm
Weight:	0.060 kg



EyeMount PK-40/SPK-40 & SLL-55-40

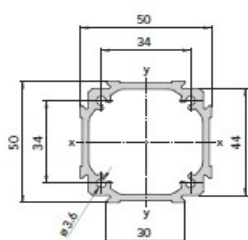
Article	Name	Art. No.	
Positioning clamp	EM PK40	EM44419N	
Clamp for positioning PK-40	EM SPK-40	EM44420N	
Clamping element with lobe knob	EM SLL-55-40	EM54598N	

6. Profiles QS30

6.1. Supporting profile EyeMount TP-50-30

Precision-extruded aluminum profile to DIN 17615, warm hardened, surface anodized natural, smooth ends. Suitable for substructures and mounting elements which are not exposed to dynamic loads.

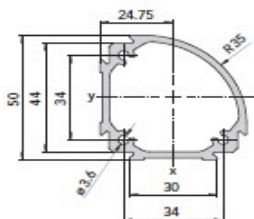
Profile area	565 mm ²
Section modulus	$W_x = W_y = 7.2 \text{ cm}^3$
Moment for inertia	$J_x = J_y = 17.9 \text{ cm}^4$
Tolerance length	DIN 7168
Distortion tolerance	1 mm/m
Straightness tolerance	0.5 mm/m
Weight	1.53 kg/m



6.2. Corner profile EP-50-30

Precision-extruded aluminum profile to DIN 17615, warm hardened, surface anodized natural, smooth ends. Suitable for substructures and mounting elements which are not exposed to dynamic loads.

Profile area	509 mm ²
Section modulus	$W_x = 4.95, W_y = 7.15 \text{ cm}^3$
Moment for inertia	$J_x = 12.25, J_y = 17.69 \text{ cm}^4$
Tolerance length	DIN 7168
Distortion tolerance	1 mm/m
Straightness tolerance	0.5 mm/m
Weight	1.37 kg/m



EyeMount TP-50-30 & EP-50-30

Article	Name	Art. No.	
Supporting Profile 1000 mm	EM TP-50-30	EM62961N1000	
Supporting Profile 2000 mm	EM TP-50-30	EM62961N2000	
Supporting Profile 3000 mm	EM TP-50-30	EM62961N3000	
Corner Profile 1000 mm	EM EP-50-30	EM63327N1000	
Corner Profile 2000 mm	EM EP-50-30	EM63327N2000	

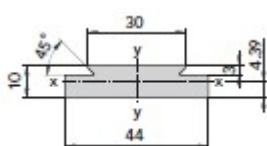
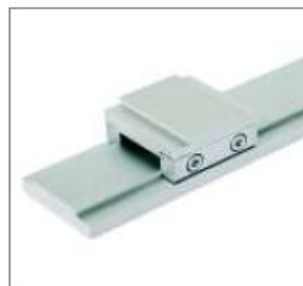
Corner Profile 3000 mm	EM EP-50-30	EM63327N3000	
------------------------	-------------	--------------	--

6.3. Adapter profile AP-44-30

Precision-extruded aluminum profile to DIN 17615, warm hardened, surface anodized natural, Smooth ends.

Used for making adapters.

Profile area	393 mm ²
Section modulus	$W_x = 0.54, W_y = 2.51 \text{ cm}^3$
Moment for inertia	$J_x = 0.3, J_y = 5.54 \text{ cm}^4$
Tolerance length	DIN 7168
Distortion tolerance	1 mm/m
Straightness tolerance	0.5 mm/m
Weight	1.06 kg/m

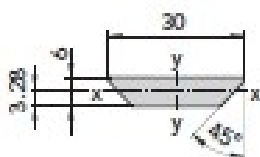


6.4. Adapter profile AP-30-30

Precision-extruded aluminum profile to DIN 17615, warm hardened, surface anodized natural, Smooth ends.

Used for making adapters.

Profile area	152 mm ²
Section modulus	$W_x = 0.138, W_y = 0.574 \text{ cm}^3$
Moment for inertia	$J_x = 0.044, J_y = 0.861 \text{ cm}^4$
Tolerance length	DIN 7168
Distortion tolerance	1 mm/m
Straightness tolerance	0.5 mm/m
Weight	0.411 kg/m

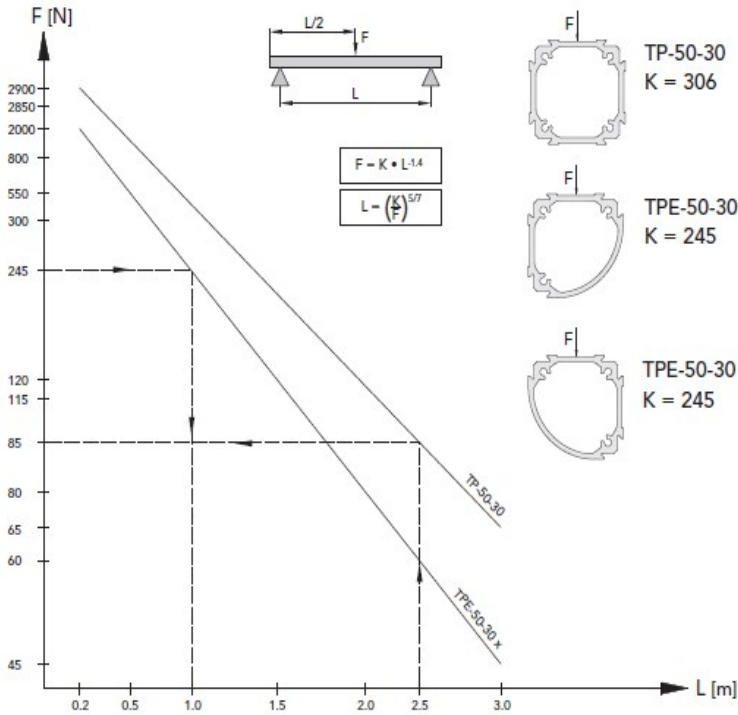


EyeMount AP-44-30 & AP-30-30

Article	Name	Art. No.	
Adapter Profil 0500 mm	AP-44-30	EM62957N0500	
Adapter Profil 1000 mm	AP-44-30	EM62957N1000	
Adapter Profil 2000 mm	AP-44-30	EM62957N2000	
Adapter Profil 0500 mm	AP-30-30	EM63499N0500	
Adapter Profil 1000 mm	AP-30-30	EM63499N1000	
Adapter Profil 2000 mm	AP-30-30	EM63499N2000	

Load diagram supporting profile size 30

Load diagram supporting profile size 30



Example 1

Given:
TP-50-30, L = 2.5 m

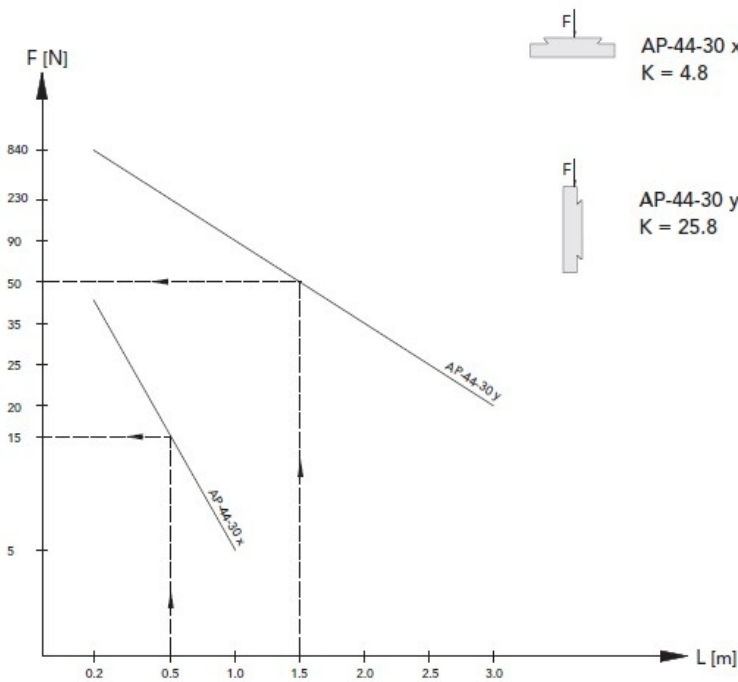
Result:
 $F_{max} = 85 \text{ N}$

Example 2

Given:
TPE-50-30 x, L = 1.0 m

Result:
 $F_{max} = 245 \text{ N}$

Load diagram adapter profile size 30



Example 1

Given:
AP-44-30 x, L = 0.5 m

Result:
 $F_{max} = 15 \text{ N}$

Example 2

Given:
AP-44-30 y, L = 1.5 m

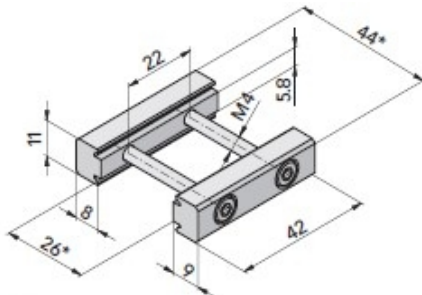
Result:
 $F_{max} = 50 \text{ N}$

7. Clamping Elements QS30

7.1. Clamping element, longitudinal / longitudinal SLL-42-30

Standard connector for joining dovetail with heavy loads – aluminum, anodized natural.

Resistance to displacement (two profiles against one another)	1400 N
Required torque	3 Nm
Parallelism of the clamped surfaces	± 0.02 mm
Weight	0.026 kg



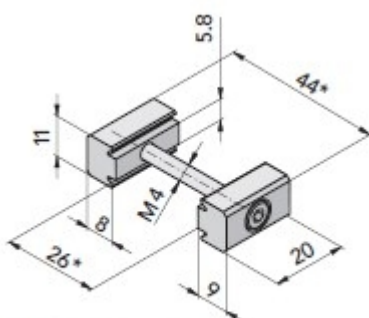
* in the clamped state



7.2. Clamping element, longitudinal / longitudinal SLL-20-30

Standard connector for joining dovetail with medium loads – aluminum, anodized natural.

Resistance to displacement (two profiles against one another)	700 N
Required torque	3 Nm
Parallelism of the clamped surfaces	± 0.02 mm
Weight	0.013 kg



* in the clamped state



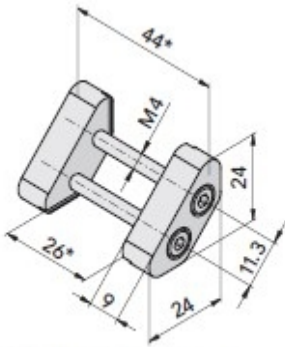
EyeMount Clamping Element SLL-42-30 & SLL-20-30

Article	Name	Art. No.	
Clamping element, longitud./longitud.	EM SLL-42-30	EM62830	
Clamping element, longitud./longitud.	EM SLL-20-30	EM63563	

7.3. Corner-piece EV-2-30

Bracket for connecting light loads at 90° - aluminum, anodized natural.

Resistance to displacement (two profiles against one another)	450 N
Required torque	3 Nm
Perpendicularity of the clamping grooves (referred to a length of 13 mm)	± 0.02 mm
Weight	0.022 kg

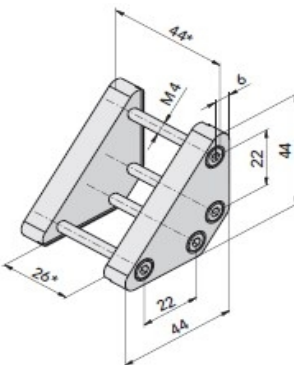


* in the clamped state

7.4. Corner-piece EV-3-30

Bracket for connecting medium loads at 90° - aluminum, anodized natural.

Resistance to displacement (two profiles against one another)	900 N
Required torque	3 Nm
Perpendicularity of the clamping grooves (referred to a length of 13 mm)	± 0.03 mm
Weight	0.066 kg



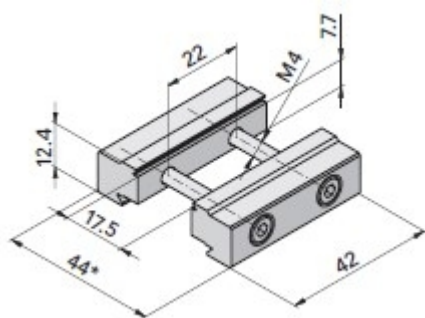
EyeMount Corner-piece EV-2-30 & EV-3-30

Article	Name	Art. No.	
Corner-piece EV-2-30	EM EV-2-30	EM62956	
Corner-piece EV-3-30	EM EV-3-30	EM62953	

7.5. Adapter for connecting UV-20-30

Standard connector for joining dovetail with heavy loads - aluminum, anodized natural

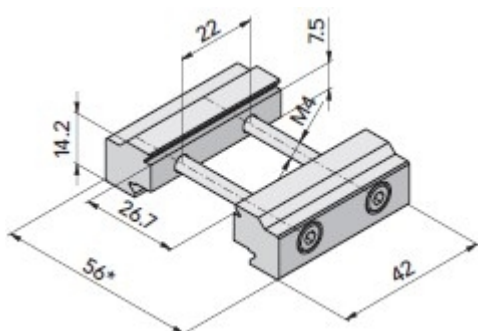
Resistance to displacement (two profiles against one another)	800 N
Required torque	3 Nm
Parallelism of the clamped surfaces	± 0.02 mm
Weight	0.037 kg



7.6. Adapter for connecting UV-30-40

Standard connector for joining dovetail with heavy loads - aluminum, anodized natural

Resistance to displacement (two profiles against one another)	1400 N
Required torque	3 Nm
Parallelism of the clamped surfaces	± 0.02 mm
Weight	0.045 kg



EyeMount Adapter for UV-20-30 & UV-30-40

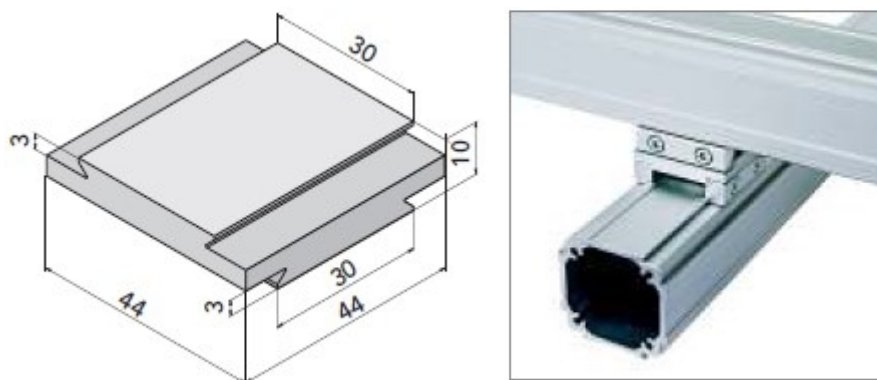
Article	Name	Art. No.	
Adapter for connecting UV-20-30		EM62982	
Adapter for connecting UV-30-40		EM62979	

8. Connectors QS30

8.1. Cross element, reinforced KEV-30

For fixing two perpendicular dovetails for heavy loads – aluminum, anodized natural.

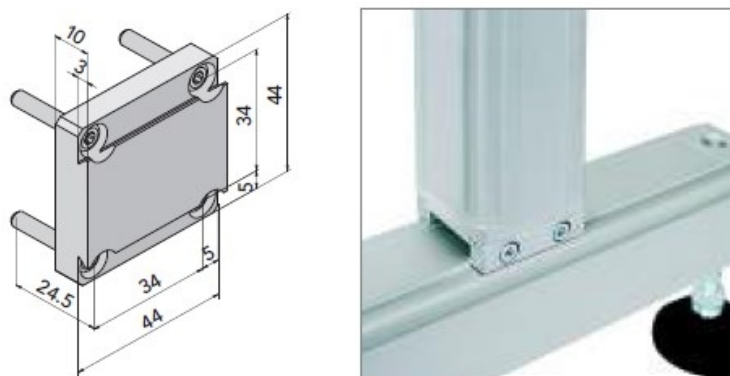
Weight	0.041 kg/m
--------	------------



8.2. Front-side adapter SA-44-30

Standard connector for joining dovetail with medium loads – aluminum, anodized natural.

Required torque	3 Nm
Weight	0.052 kg/m



EyeMount Cross element KEV-30 & Front-side adapter SA-44-30

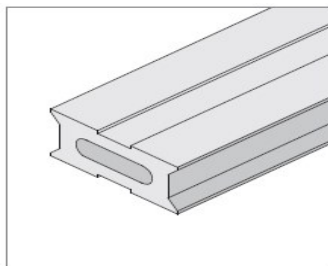
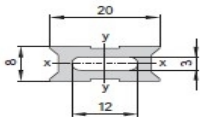
Article	Name	Art. No.	
Cross element, reinforced	EM KEV-30	EM62976	
Front-side adapter	EM SA-44-30	EM63846	

9. Profiles QS20

9.1. Supporting profile TP-8-20

Precision-extruded aluminum section to DIN 17615 – warm hardened, surface natural anodized, smooth ends

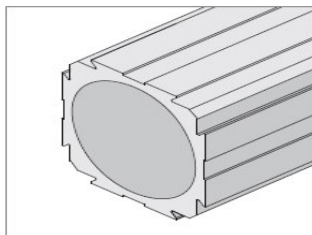
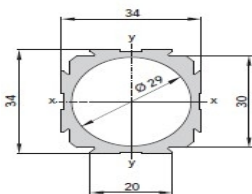
Profile area	104 mm ²
Section modulus	W _x = 0.177 cm ³ W _y = 0.351 cm ³
Moment of inertia	J _x = 0.071 cm ⁴ J _y = 0.351 cm ⁴
Tolerance length	DIN 7168
Distortion tolerance	0.8 mm/m
Straightness tolerance	0.3 mm/m
Weight	0.282 kg/m



9.2. Supporting profile TP-34-20

Precision-extruded aluminum section to DIN 17615 – warm hardened, surface natural anodized, smooth ends

Profile area	374 mm ²
Section modulus	W _x = W _y = 3.05 cm ³
Moment of inertia	J _x = J _y = 5.183 cm ⁴
Tolerance length	DIN 7168
Distortion tolerance	0.8 mm/m
Straightness tolerance	0.3 mm/m
Weight	1.012 kg/m



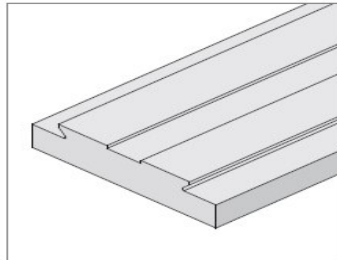
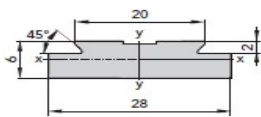
EyeMount Supporting Profile TP-8-20 & TP-34-20

Article	Name	Art. No.	
Supporting Profile 1000 mm	EM TP-8-20	EM48845N1000	
Supporting Profile 2000 mm	EM TP-8-20	EM48845N2000	
Supporting Profile 500 mm	EM TP-34-20	EM48826N0500	
Supporting Profile 1000 mm	EM TP-34-20	EM48826N1000	
Supporting Profile 2000 mm	EM TP-34-20	EM48826N2000	
Supporting Profile 3000 mm	EM TP-34-20	EM48826N3000	

9.3. Adapter profile AP-28-20

Precision-extruded aluminum section to DIN 17615 – warm hardened, surface natural anodized, smooth ends.

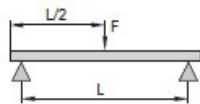
Profile area	147 mm ²
Section modulus	W _x = 0.118 cm ³ / W _y = 0.603 cm ³
Moment of inertia	J _x = 0.039 cm ⁴ / J _y = 0.845 cm ⁴
Tolerance length	DIN 7168
Distortion tolerance	0.8 mm/m
Straightness tolerance	0.3 mm/m
Weight	1.398 kg/m



EyeMount Adapter Profile AP-28-20

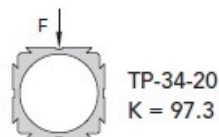
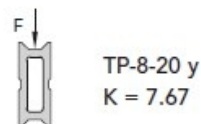
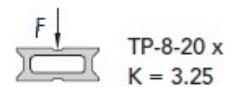
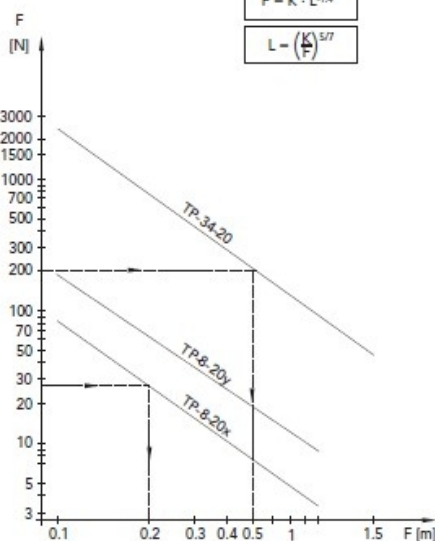
Article	Name	Art. No.	
Adapter profile 100 mm	EM AP-28-20	EM48846N0100	
Adapter profile 500 mm	EM AP-28-20	EM48846N0500	

9.4. Load diagram size 20



$$F = K \cdot L^{1.4}$$

$$L = \left(\frac{F}{K}\right)^{0.71}$$



Example 1

Given:
TP-8-20, F = 28 N
Result:
L_{max} = 0.2 N

Example 2

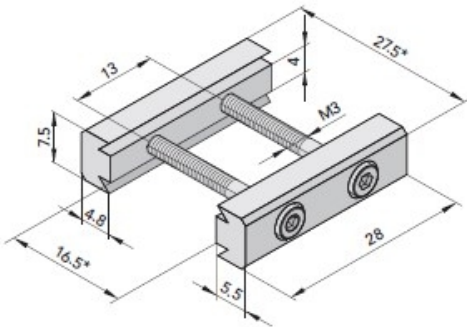
Given:
TP-34-20 x, F = 200 N
Result:
L_{max} = 0.5 m

10. Clamping Elements QS20

10.1. Clamping element, longitudinal / longitudinal SLL-28-20

Standard connector for joining medium loads – aluminum, surface natural anodized.

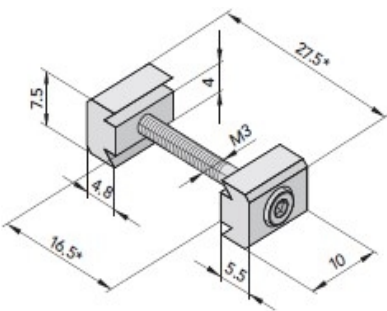
Resistance to displacement (two profiles against one another)	400 N
Required torque	1 Nm
Parallelism of the clamped surfaces	± 0.02 mm
Weight	0.008 kg



10.2. Clamping element, longitudinal / longitudinal SLL-10-20

Standard connector for joining light loads – aluminum, surface natural anodized.

Resistance to displacement (two profiles against one another)	150 N
Required torque	1 Nm
Parallelism of the clamped surfaces	± 0.02 mm
Weight	1.012 kg/m



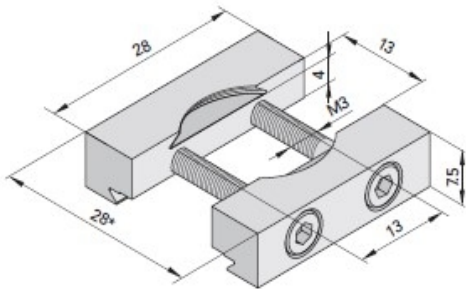
EyeMount Clamping element longitudinal/longitudinal SLL-28-20 & SLL-

Article	Name	Art. No.	
Clamping Element long/long	EM SLL-28-20	EM49049N	
Clamping Element long/long	EM SLL-10-20	EM49050N	

10.3. Clamping element, longitudinal / round SLL-20/22-40

Connector between round dovetail and linear dovetail – aluminum, surface natural anodized.

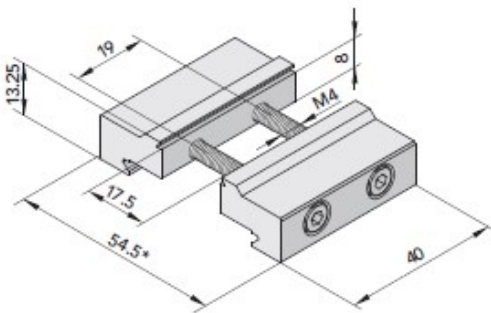
Resistance to displacement	400 N
Resistance to turn	4 Nm
Required torque	1 Nm
Parallelism of the clamped surfaces	± 0.03 mm
Weight	0.010 kg



10.4. Transition connector UV-20-40

Standard connector for joining light loads – aluminum, surface natural anodized.

Resistance to displacement	500 N
Required torque	3 Nm
Parallelism of the clamped surfaces	± 0.03 mm
Weight	0.045 kg/m



EyeMount Clamping element SLL-20/22-40 & UV-20-40

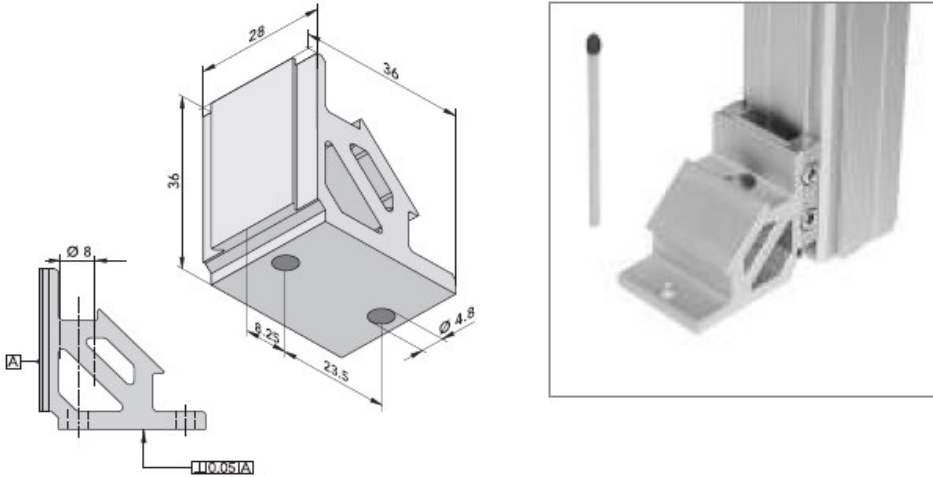
Article	Name	Art. No.	
Clamping Element long/round	EM SLL-20/22-40	EM49052N	
Transition connector	EM UV-20-40	EM49051N	

11. Connectors QS20

11.1. Base bracket BW-20

Standard connector for joining medium loads – aluminum, surface natural anodized.

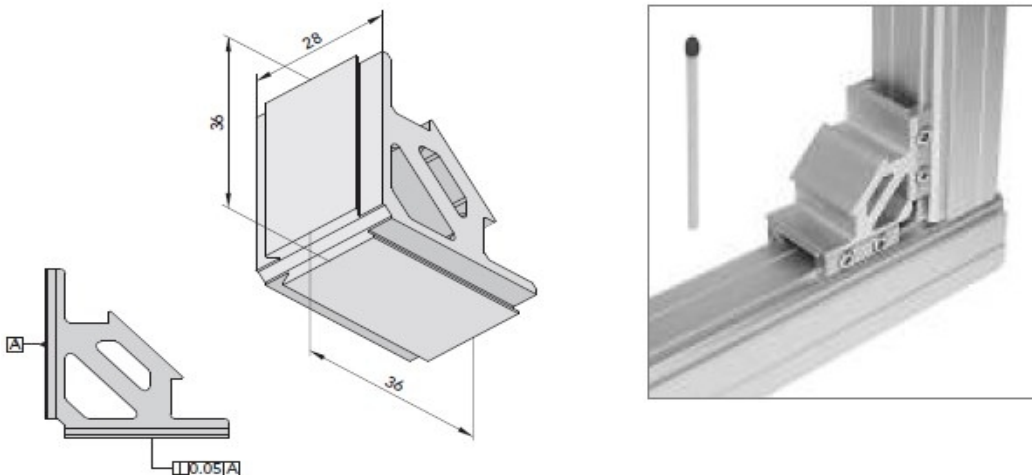
Weight	0.032 kg
--------	----------



11.2. 90° angle bracket KW-20

Standard connector for joining light loads – aluminum, surface natural anodized.

Weight	1.032 kg
--------	----------



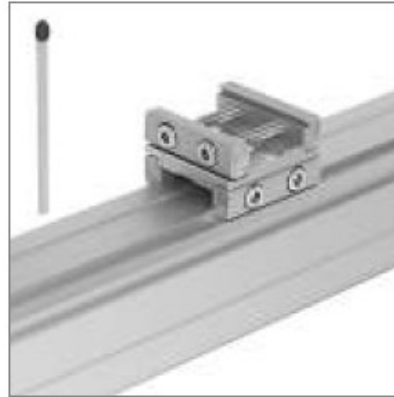
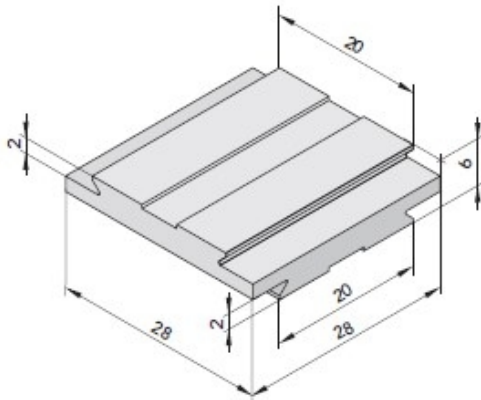
EyeMount Base bracket BW-20 & 90° angle bracket KW-20

Article	Name	Art. No.	
Base bracket	EM BW-20	EM48923N	
90° angle bracket	EM KW-20	EM48927N	

11.3. Cross element, reinforced KEV-20

Standard connector for joining medium loads – aluminum, surface natural anodized.

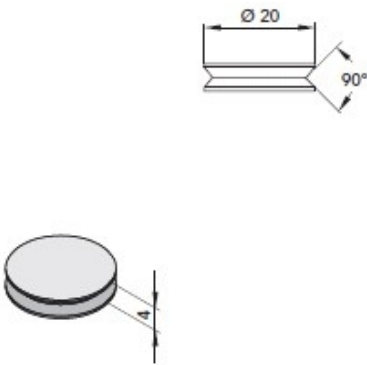
Weight	0.009 kg
--------	----------



11.4. Turntable DS-0-20

Standard connector for joining light loads – aluminum, surface natural anodized.

Weight	0.003 kg
--------	----------



EyeMount Cross element, reinforced KEV-20 & Turntable DS-0-20

Article	Name	Art. No.	
Cross Element	EM KEV-20	EM48847N	
Truntable	EM DS-0-20	EM48928N	