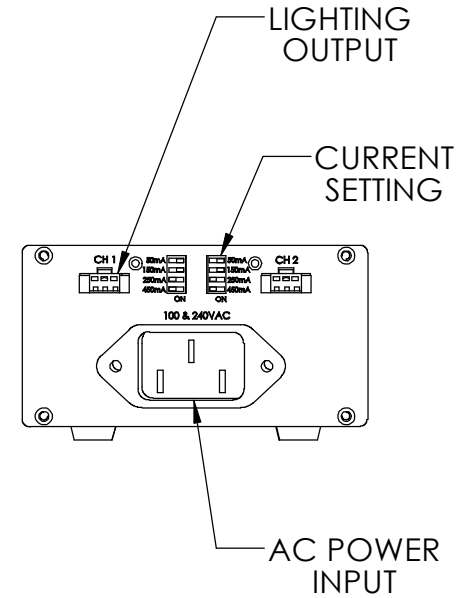
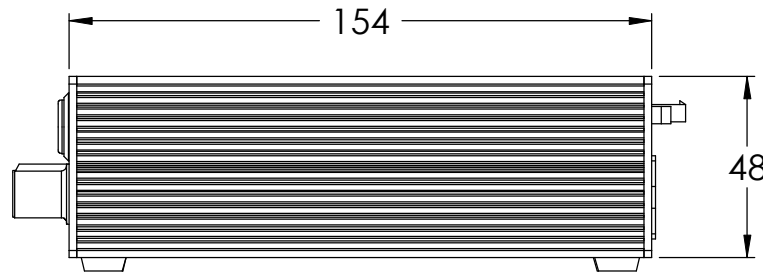
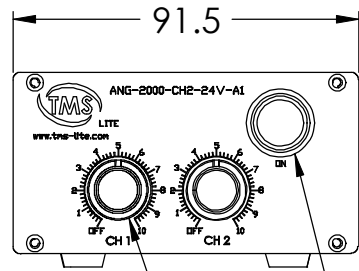
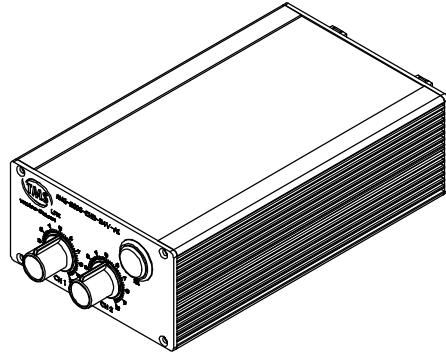


REVISIONS

ZONE	REV.	DESCRIPTIONS	DATE	APP.
------	------	--------------	------	------



ON & OFF SWITCH

LIGHT INTENSITY CONTROL

LIGHTING OUTPUT

CURRENT SETTING

AC POWER INPUT

*DIMENSION SUPPORT FOR ANG SERIES:
 -ANG-2000-CH2-5V-A1
 -ANG-2000-CH2-24V-A1

COLOR	WAVE LENGHT
RED:	660nm
GREEN:	525nm
BLUE:	470nm
WHITE:	--
IR 850:	850nm
IR 940:	940nm
UV:	380-385nm
RGB:	660nm/525nm/470nm



DESIGN BY	NOBEL	UNIT:	PRODUCT SERIES: ANG SERIES					
CHECK BY	EH-LOH	MM						
DATE	06/03/2013	REVISION:						
MATERIAL	-	02	TITLE	DRAWING LAYOUT	COLOUR:	-	-	-
FINISHING	SILVER	SCALE:	PART NO	ANG-2000-CH2-5V/24V-A1	VOLTAGE:	-	-	-
QTY	-	1 : 2	DWG NO	-	CURRENT:	-	-	-
					POWER:	-	-	-
					SHEET 1 OF 1			