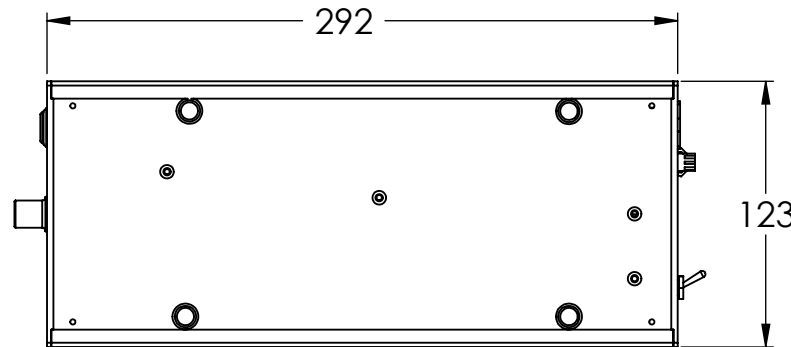
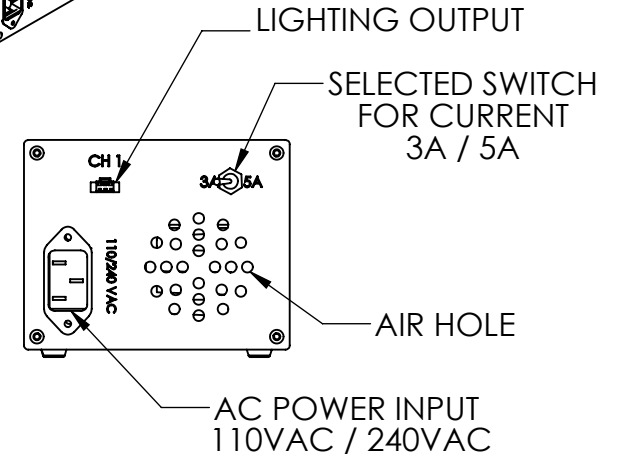
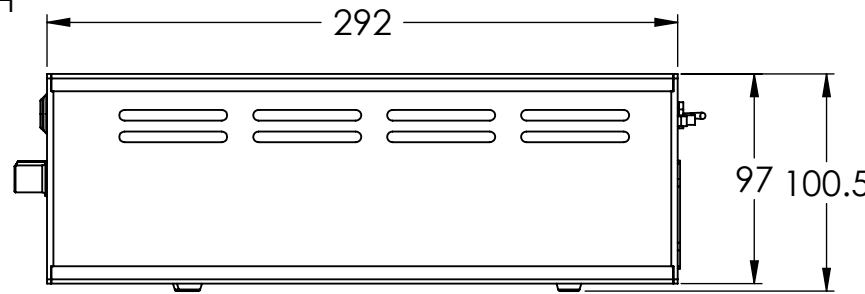
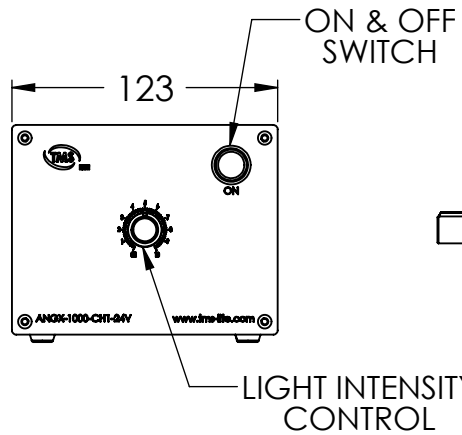
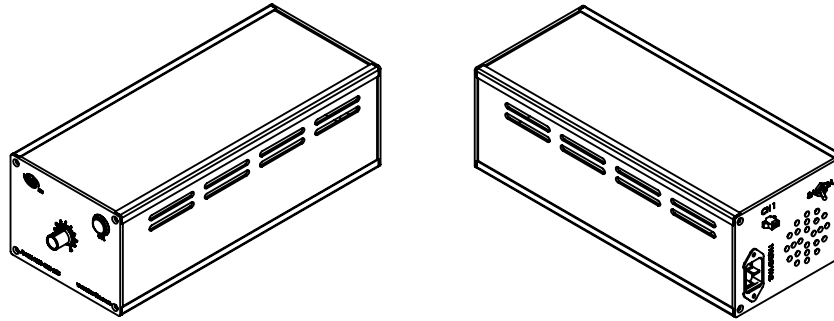


MODEL	ANGX-1000-CH1-24V	
INPUT VOLTAGE	110VAC & 240VAC	
OUTPUT VOLTAGE	24VDC	
OUTPUT CURRENT	3A	5A
POWER	72W	120W

REVISIONS				
ZONE	REV.	DESCRIPTIONS	DATE	APP.



COLOR	WAVE LENGHT
RED:	660nm
GREEN:	525nm
BLUE:	470nm
WHITE:	--
IR 850:	850nm
IR 940:	940nm
UV:	380-385nm
RGB:	660nm/525nm/470nm

DESIGN BY	KB TAN	UNIT:	PRODUCT SERIES: ANGX SERIES				
CHECK BY	KB TAN	MM					
DATE	22/05/2015	REVISION:	TITLE	DRAWING LAYOUT	COLOUR:	-	-
MATERIAL	-	02	PART NO	ANGX-1000-CH1-24V	VOLTAGE:	-	-
FINISHING	-	SCALE:	DWG NO	-	CURRENT:	-	-
QTY	-	1 : 3.5			POWER:	-	-
					SHEET 1 OF 1		

