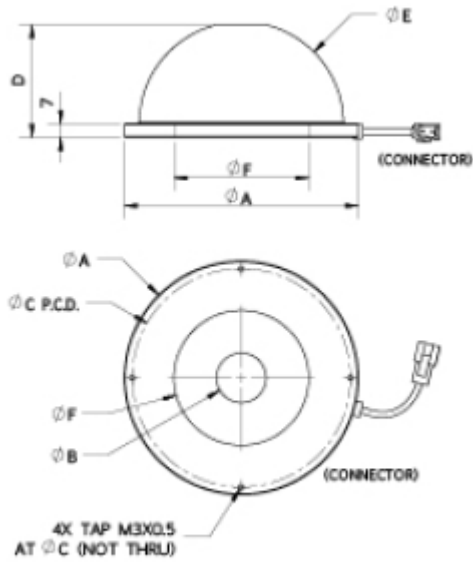


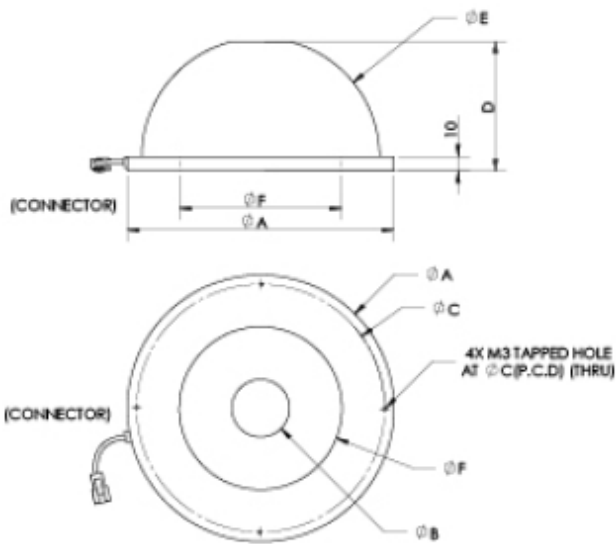
IDS4 Series – even illumination for all angles

The IDS4 series provides illumination from all angles and therefore provides images without shadows.

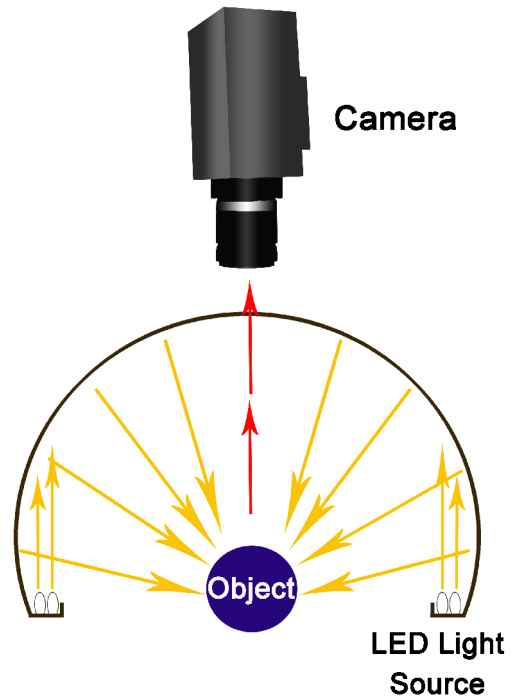
Application: crack, chip, stains on circular or cylindrical objects, solder inspection and substrate inspection.



IDS4-00-050/070/100



IDS4-00-150/200/250



Model	Dimensions (mm)						Color	Voltage/ Watt	Current
	ØA	ØB	ØC	D	ØE	ØF			
IDS4-00-050-1-X	68	10	60	33.8	53	25	●	24V / 1.20W	50mA
							● ● ○	24V / 1.80W	75mA
IDS4-00-070-2-X	95	20	85	44.5	78	41	●	24V / 2.88W	120mA
							● ● ○	24V / 4.80W	200mA
IDS4-00-100-2-X	118	25	110	56.8	103	68	●	24V / 4.80W	200mA
							● ● ○	24V / 5.04W	210mA
IDS4-00-150-2-X	185	40	172	89.8	165	113	●	24V / 6.05W	252mA
							● ● ○	24V / 5.76W	240mA
IDS4-00-200-2-X	232	50	222	112.8	212	160	●	24V / 9.07W	278mA
							● ● ○	24V / 8.64W	360mA
							● ● ○	24V / 8.64W	360mA
IDS4-00-250-2-X	284	50	272	139.4	261.6	212	●	24V / 11.42W	476mA
							● ● ○	24V / 12.48W	520mA