

CONDARIA CATALOGUE

MARINE CHILLED WATER AIR CONDITIONING SYSTEMS

 **DOMETIC**

CONDARIA – ABOUT US

FROM THE BEGINNING TO OUR MERGE WITH A LARGE GROUP

Condaria started out in the 20th century as a small company specialising in the field of air conditioning for boats. Condaria has always been recognised for its commitment to quality. Safety, high quality materials, silent operation and compactness are just some of the aspects that have helped seal the success

of this company. We design all our installations in accordance with the latest developments in the field and with an eye for constant improvement.

Specialised personnel monitor all the materials and goods with care during the entire manufacturing process.

Condaria is now also part of a large and important group: Dometic. A leader in the world of innovative products for leisure in the caravan, motorhome and nautical sectors, Dometic offers an extensive range of air conditioners, refrigerators, verandas, kitchens, sanitary fittings, lighting products, doors, windows and more to make every moment away from home more comfortable.

Dometic's products have such a broad scope of application that they can be found in over a hundred countries, and the market is continuing to grow.



WATER CHILLERS	
Condaria WM	05
Condaria PCWM / FCL	09
Condaria PCWM / LT	11
Condaria PCWM / Compact	15
Condaria Microchiller	17
Condaria PCWM / Var	19
Condaria DFV	25

WATER HEATERS	
Condaria water heaters	27
Hydronic LII water heater	29
Eberspächer Hydronic MII water heater	30
Kabola water heater	31
Kabola ecological water heater	32
ROOM TERMINAL UNITS	
Condaria ALU series (Mini – Compact)	33
Condaria ALU series (Junior – Giant4 – Giant8)	35
Condaria AP series	37
Condaria TWIN series	39

DEFROSTERS	41
-------------------	----

AIR HANDLERS	
Direct-coupling Condaria AHU with radial fan	43
Condaria AHU with belt drive	45
Direct-coupling Condaria AHU	47

AIR EXHAUST BOXES	
Condaria air exhaust boxes with fan and direct coupling	49
Condaria air exhaust boxes in line with axial fan	50
Condaria single-phase/direct coupling air exhaust boxes with single inlet	51
Condaria three-phase/direct coupling air exhaust boxes with single inlet	52
Condaria single-phase/three-phase air exhaust boxes with radial fan and single inlet	53
Condaria three-phase air exhaust boxes with fan, double inlet and belt drive	54

HUMIDIFIERS	55
--------------------	----

SALT WATER AND CIRCULATION PUMPS	57
---	----

ACCESSORIES	
Deaerator	59
Expansion vessels	60
Grilles	61
Splitters	62
Transitions	63
Manifolds	64
Tubes	65

ELECTRONIC CONTROL SYSTEMS	
Condaria personal climate tbs7	66
Condaria personal climate tbs8	67
Condaria easy chiller, Condaria top chiller, Condaria chiller organizer	68

CONDARIA
WATER CHILLERS

CONDARIA WM

Only cold water chillers



The WMs are units for producing cold water, made with materials resistant to corrosion.

These units are available in a broad range of models with different power ratings.

Each unit has its own circuit switch, flow switch, antifreeze protection, and high and low pressure refrigerant switch; these safety settings help to protect the compressor against overheating.

Special technical measures and state-of-the-art control technologies

are used to keep noise and vibrations to a minimum.

The electrical panel is fitted or separate, depending on the model.

There is an electronic control system for managing each unit.



Inverter: It ensures excellent energy savings by modulating the speed of the compressor



Compressor

BENEFITS

- Compact design
- Easy to install
- Materials highly resistant to corrosion
- Low vibrations and noise
- The flow switch, antifreeze protection, circuit switch and high and low pressure refrigerant all help to guarantee operation of the unit in absolute safety
- R-407C gas
- Soft start system, limiting the inrush current for compressors and single-phase installations (Smart Start)
- Fully customizable

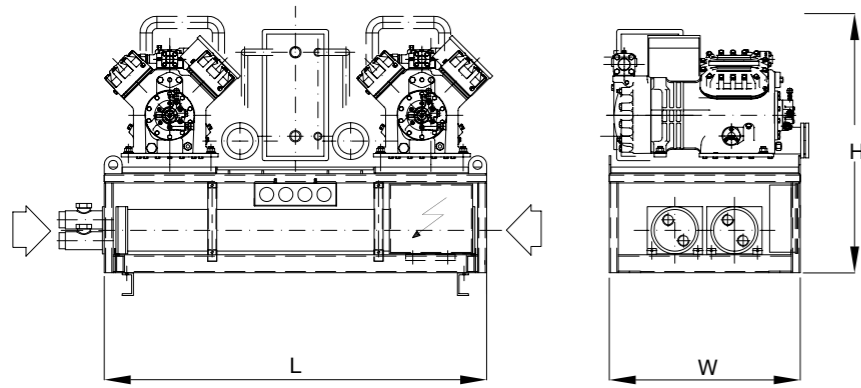
ACCESSORIES

- Inverter: eliminates inrush current on start-up, saves energy, allows the temperature values to be reached quickly
- Vertical version on request
- On request 410-A



Technical specifications of cooling-only water chillers with salt water condensers – WM Q.S. – 2 Compressors

MODEL		90002	120002	150002	180002	210002	240002	300002	
Refrigerant		R407C	R407C	R407C	R407C	R407C	R407C	R407C	
Rated cooling capacity	kCal/h	90000	120000	150000	180000	210000	240000	300000	
	Btu/h	360000	480000	600000	720000	840000	960000	1200000	
	Watt	104651	139534	174419	209302	244186	279070	348837	
Compressor	Absorption (A)	400/3/50	34,00	36,30	41,60	46,60	61,10	71,40	92,90
		440/3/60	34,00	-	-	-	-	-	-
Dimensions (mm)	Separate panel	Lenght	1650	1650	1800	1800	1800	1800	-
		Widht	750	750	850	850	850	850	-
		Height	1100	1150	1150	1150	1200	1200	-
Weight (kg)									
Pumps (kW/A)	Fresh water circulation	400/3/50	2,2 / 5,3	2,2 / 5,3	4 / 9,6	4 / 9,6	7,5 / 14,3	7,5 / 14,3	7,5 / 14,3
		440/3/60	-	-	-	-	-	-	-
	Salt water circulation	400/3/50	1,1 / 2,9	1,5 / 4,3	2,2 / 5,3	2,2 / 5,3	3 / 6,6	3 / 6,6	4 / 9,6
		440/3/60	-	-	-	-	-	-	-
Water connections		Salt water	2x11/2"gasF	2x11/2"gasF	2x11/2"gasF	2x11/2"gasF	2x11/2"gasF	2x11/2"gasF	



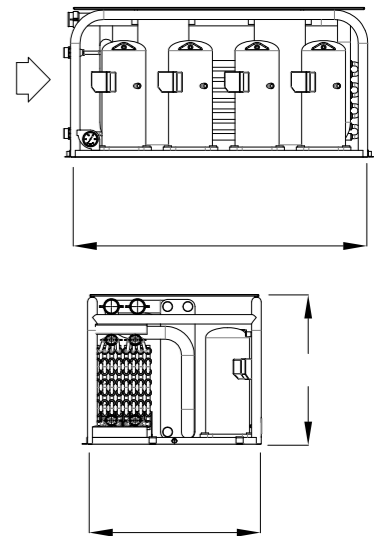
- Where the diameter is in mm, a pipe fitting is used; and where the diameter is in inches, a threaded connection ring is used
- The data are subject to change
- The images are for illustrative purposes only and may not match the finished product in your possession
- Please contact Condaria for customised products

Condaria 87 - Via Vesuvio 18 - 20834 Nova Milanese MB (Italy)
Tel +39 036244182 Tel +39 036236459 Fax +39 0362452226



Technical specifications of cooling-only water chillers with salt water condensers – WM Q.S. – 4 Compressors

MODEL		40004	48004	72004	81004	
Refrigerant		R407C	R407C	R407C	R407C	
Rated cooling capacity	kCal/h	40000	48000	72000	81000	
	Btu/h	160000	192000	288000	324000	
	Watt	46512	55814	83721	94186	
Compressor	Absorption (A)	230/1/50	-	-	-	
		230/1/60	-	-	-	
		230/3/50	-	-	-	18,00-
		208/3/60	-	13,60	23,20	25,70
		400/3/50	15,00	10,10	10,40	12,50
		440/3/60	-	7,90	10,10	10,40
Dimensions (mm)	Separate panel	Lenght	-	-	1250	1250
		Widht	-	-	730	730
		Height	-	-	600	600
Weight (kg)						
Pumps (kW/A)	Fresh water circulation	230/1/50	1,1 / 7,4	-	-	-
		230/1/60	-	1,1 / 8,5	-	-
		230/3/50	-	-	1,5 / 7,5	-
		208/3/60	-	-	1,5 / 8,0	2,2 / 10,7
		400/3/50	1,1 / 2,9	1,1 / 2,9	1,5 / 4,3	2,2 / 5,3
		440/3/60	-	-	-	-
	Salt water circulation	230/1/50	0,55 / 4,5	-	-	-
		230/1/60	-	-	-	-
		230/3/50	-	-	1,1 / 5,0	-
		208/3/60	-	-	1,1 / 6,0	1,1 / 2,9
		400/3/50	0,55 / 1,7	0,75 / 2,3	1,1 / 2,9	1,1 / 2,9
		440/3/60	-	-	-	-
Water connections		Salt water	1 1/2" gas M	1 1/2" gas M	1 1/2" gas M	1 1/2" gas M
		Circulation	2" gas F	2" gas F	2" gas F	2" gas F
		Drainage	3/8" gas F	3/8" gas F	3/8" gas F	3/8" gas F
		Filling	1/2" gas F	1/2" gas F	1/2" gas F	1/2" gas F

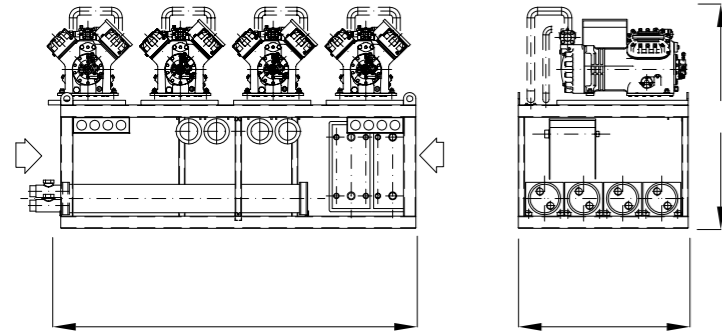


- Where the diameter is in mm, a pipe fitting is used; and where the diameter is in inches, a threaded connection ring is used
- The data are subject to change
- The images are for illustrative purposes only and may not match the finished product in your possession
- Please contact Condaria for customised products



Technical specifications of cooling-only water chillers with salt water condensers – WM Q.S. – 4 Compressors

MODEL		240004	300004	360004	400004	
Refrigerant		R407C	R407C	R407C	R407C	
Rated cooling capacity	kCal/h	240000	300000	360000	400000	
	Btu/h	960000	1200000	1440000	1600000	
	Watt	279070	348837	418605	465117	
Compressor	Absorption (A)	400/3/50	36,30	41,60	46,60	
		440/3/60	-	-	-	-
Dimensions (mm)	Separate panel	Lenght	2380	2380	2380	2610
		Widht	980	980	1100	1100
		Height	1450	1450	1450	1450
Pumps (kW/A)	Fresh water circulation	400/3/50	7,5 / 14,3	7,5 / 14,3	7,5 / 14,3	-
		440/3/60	-	-	-	-
	Salt water circulation	400/3/50	3 / 6,6	4 / 9,6	4 / 9,6	-
		440/3/60	-	-	-	-
Water connections		Salt water	4x1 1/2"gas F	4x1 1/2"gas F	4x1 1/2"gas F	4x1 1/2"gas F



• Where the diameter is in mm, a pipe fitting is used; and where the diameter is in inches, a threaded connection ring is used

• The data are subject to change
• The images are for illustrative purposes only and may not match the finished product in your possession

• Please contact Condaria for customised products

Condaria 87 - Via Vesuvio 18 - 20834 Nova Milanese MB (Italy)
Tel +39 036244182 Tel +39 036236459 Fax +39 0362452226



CONDARIA PCWM / FCL

R407-C heat pump units



Designed to ensure simple and intuitive use, the heat pump unit is specifically for air-conditioning systems on boats; it is, therefore, made with materials highly resistant to corrosion.

The PCWMs / FCL produce hot or cold water and use R-407C gas.

Each unit can have a horizontal, vertical or custom structure, and be equipped with a condenser, evaporator and compressors.

Condaria offers a broad range of models with different power ratings.

Special technical measures and state-of-the-art control technologies are used to keep noise and vibrations to a minimum.

The electrical panel is fitted or separate, depending on the model.

There is an electronic control system for operating each unit.



PCWM/FCL 2 x 45003

BENEFITS

- Simple and intuitive to use
- Materials resistant to corrosion
- Easy to install
- Uses R-407C gas
- Soft start system, limiting the inrush current for compressors and single-phase installations (Smart Start)
- Remote display

ACCESSORIES

- Inverter for three-phase / starter systems
- Inverter for single-phase systems
- Vertical version on request



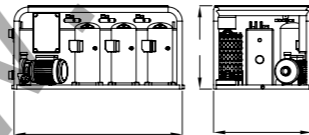
Technical specifications of water chillers – PCWM / FCL Q.S. – 3/4 Compressors

MODEL		22503	27003	30004	36004	45003	60004	72004	81004	
Refrigerant		R407c	R407C	R407C	R407C	R407C	R407C	R407C	R407C	
Rated cooling capacity	kCal/h	22500	27000	30000	36000	45000	60000	72000	81000	
	Btu/h	90000	108000	120000	144000	180000	240000	288000	324000	
	Watt	26163	31395	34884	41860	52326	69767	83736	94203	
Rated heating capacity	kCal/h	28125	33750	37500	45000	56250	75000	90000	101250	
	Btu/h	112500	135000	150000	180000	225000	300000	360000	405000	
	Watt	32703	39244	43605	52326	65407	87209	104670	117753	
Compressor	Absorption (A)	230/1/50	11,30	13,40	11,30	13,40	-	-	-	-
		230/1/60	11,80	13,00	11,80	13,00	-	-	-	-
		230/3/50	-	5,70	-	5,70	19,10	19,10	18,00	-
		208/3/60	-	5,10	5,10	5,10	19,50	19,50	23,20	25,70
		400/3/50	4,20	5,00	4,20	5,00	10,10	10,10	10,40	12,50
		440/3/60	-	-	-	-	7,90	7,90	10,10	10,40
Dimensions (mm)	Separate panel	Lenght	1100	1050	1200	1200	1250	1500	1400	1400
		Widht	600	600	700	700	730	840	850	850
		Height	510	560	560	560	610	600	680	680
Panel LxHxW (mm)	230/1	400x500x250	400x500x250	500x700x250	500x700x250	-	-	-	-	
	400/3	400x500x250	400x500x250	500x700x250	500x700x250	400x500x250	500x700x250	500x700x250	500x700x250	
Weight (kg)		231	241	315	363	370	450	-	-	
Pumps (kW/A)	Fresh water circulation	230/1/50	0,55 / 3,5	0,75 / 5,7	0,75 / 5,7	0,75 / 5,7	-	-	-	-
		230/1/60	0,55 / 4,3	0,75 / 6,5	0,75 / 6,5	0,75 / 6,5	-	-	-	-
		230/3/50	0,55 / 3,0	0,75 / 4,0	0,75 / 4,0	0,75 / 4,0	1,1 / 5,0	1,5 / 7,5	1,5 / 7,5	-
		208/3/60	-	-	-	0,75 / 4,5	1,1 / 5,7	1,5 / 4,3	1,5 / 8,0	2,2 / 10,7
		400/3/50	0,55 / 1,7	0,75 / 2,3	0,75 / 2,3	0,75 / 2,3	1,1 / 2,9	1,5 / 4,3	1,5 / 4,3	2,2 / 5,3
	Salt water circulation	440/3/60	-	-	-	-	-	-	-	-
		230/1/50	0,55 / 4,5	0,55 / 4,5	0,55 / 4,5	0,75 / 5,8	-	-	-	-
		230/1/60	0,55 / 5,4	0,55 / 5,2	0,55 / 5,2	0,75 / 7,0	-	-	-	-
		230/3/50	0,55 / 3,0	0,55 / 3,0	0,55 / 3,0	0,75 / 4,0	0,75 / 4,0	1,1 / 5,0	1,1 / 5,0	-
		208/3/60	-	-	-	0,75 / 4,8	0,75 / 4,8	1,1 / 6,0	1,1 / 6,0	1,1 / 2,9
400/3/50	0,55 / 1,7	0,55 / 1,7	0,55 / 1,7	0,75 / 2,3	0,75 / 2,3	1,1 / 2,9	1,1 / 2,9	1,1 / 2,9		
440/3/60	-	-	-	-	-	-	-	-		
Water connections	Salt water	1"1/4 gas M	1"1/4 gas M	1"1/2 gas M	1"1/2 gas M	2" gas M	4x1" 1/2 gasM	4x1 1/2" gasM	4x1 1/2" gasM	
	Circulation	1"1/4 gas F	1"1/4 gas F	1"1/2 gas F	1"1/2 gas F	2" gas F	2" gas F	2" gas F	2" gas F	
	Drainage	3/8" gas F	3/8" gas F	3/8" gas F	3/8" gas F	3/8" gas F	3/8" gas F	3/8" gas F	3/8" gas F	
	Filling	1/2" gas F	1/2" gas F	1/2" gas F	1/2" gas F	1/2" gas F	1/2" gas F	1/2" gas F	1/2" gas F	

• Where the diameter is in mm, a pipe fitting is used; and where the diameter is in inches, a threaded connection ring is used

• The data are subject to change
• The images are for illustrative purposes only and may not match the finished product in your possession

• Please contact Condaria for customised products



CONDARIA PCWM / FCL R407-C heat pump units



The PCWM / LT is compact and can, therefore, be installed on any type of boat. These units produce hot or cold water and are made with materials highly resistant to corrosion.

The PRWM / LT units differ from PCWM / FCL units in that they use only the R-410A gas with which they are pre-filled at the factory.

The products are available in a broad range of models with different power ratings.

There is an electronic control system for operating each unit.



PCWM/LT 18002 water chiller with fitted electrical control panel



Soft start system, limiting the inrush current for compressors and single-phase installations



Detail of pump

BENEFITS

- Compact design
- Easy to install
- Materials highly resistant to corrosion
- Uses R-410A gas
- Smart Start for single-phase installations

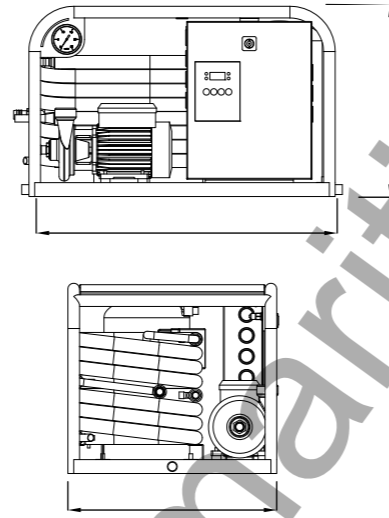
ACCESSORIES

- Inverter for three-phase / starter systems
- Inverter for single-phase systems
- Vertical version on request



Technical specifications of water chillers – PCWM / FCL Q.S. – 3/4 Compressors

MODEL		4501	6001	7501	9001	
Refrigerant		R410A	R410A	R410A	R410A	
Rated cooling capacity	kCal/h	4500	6000	7500	9000	
	Btu/h	18000	24000	30000	36000	
	Watt	5230	6975	8720	10465	
Rated heating capacity	kCal/h	5625	7500	9375	11250	
	Btu/h	22500	30000	37500	45000	
	Watt	6540	8720	10900	13081	
Compressor	Absorption (A)	230/1/50	9,15	10,50	12,80	20,00
		230/1/60	-	10,60	13,00	17,00
		230/3/50	-	-	-	14,10
		208/3/60	-	-	-	12,80
		400/3/50	-	-	-	7,70
		440/3/60	-	-	-	6,40
		440/3/60	-	-	-	6,40
Dimensions (mm)	Fitted panel	Lenght	660	660	660	800
		Widht	450	450	450	480
		Height	410	410	410	460
Weight (kg)		-	81	81	-	
Pumps (kW/A)	Fresh water circulation	230/1/50	0,37 / 2,5	0,45 / 3,0	0,45 / 3,0	0,45 / 3,0
		230/1/60	0,37 / 3,1	0,45 / 4,3	0,55 / 4,3	0,55 / 4,3
		230/3/50	-	-	-	0,45 / 2,4
		208/3/60	-	-	-	-
		400/3/50	-	-	0,45 / 1,4	0,45 / 1,4
		440/3/60	-	-	-	-
	Salt water circulation	230/1/50	0,37 / 2,8	0,37 / 2,8	0,37 / 2,8	0,37 / 2,8
		230/1/60	0,37 / 3,4	0,37 / 3,4	0,37 / 3,4	0,37 / 3,4
		230/3/50	-	-	-	0,37 / 2,3
		208/3/60	-	-	-	-
		400/3/50	-	-	0,37 / 1,3	0,37 / 1,3
		440/3/60	-	-	-	-
Water connections	Salt water	Ø16	Ø16	Ø16	Ø18	
	Circulation	Ø19	Ø19	Ø19	Ø25	
	Drainage	3/8" gas F	3/8" gas F	3/8" gas F	3/8" gas F	
	Filling	1/2" gas F	1/2" gas F	1/2" gas F	1/2" gas F	



- Where the diameter is in mm, a pipe fitting is used; and where the diameter is in inches, a threaded connection ring is used

- The data are subject to change
- The images are for illustrative purposes only and may not match the finished product in your possession

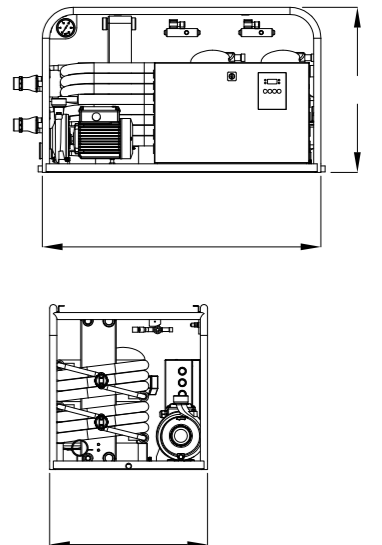
• Please contact Condaria for customised products

Condaria 87 - Via Vesuvio 18 - 20834 Nova Milanese MB (Italy)
Tel +39 036244182 Tel +39 036236459 Fax +39 0362452226



Technical specifications of water chillers – PCWM / LT Q.I. – 2 Compressors

MODEL		12002	15002	18002	23002	
Refrigerant		R410A	R410A	R410A	R410A	
Rated cooling capacity	kCal/h	12000	15000	18000	23000	
	Btu/h	48000	60000	72000	92000	
	Watt	13954	17445	20930	26744	
Rated heating capacity	kCal/h	15000	18750	22500	28750	
	Btu/h	60000	75000	90000	115000	
	Watt	17442	21802	26163	33430	
Compressor	Absorption (A)	230/1/50	11,70	16,00	20,00	18,00
		230/1/60	12,00	17,00	17,00	21,50
		230/3/50	12,80	12,80	14,10	16,00
		208/3/60	-	12,80	12,80	14,10
		400/3/50	6,40	6,40	7,10	7,70
		440/3/60	-	6,40	6,40	6,40
		440/3/60	-	6,40	6,40	6,40
Dimensions (mm)	Fitted panel	Lenght	980	980	980	970
		Widht	480	480	480	550
		Height	500	500	500	580
Weight (kg)		143	143	-	141	
Pumps (kW/A)	Fresh water circulation	230/1/50	0,45 / 3,0	0,55 / 3,5	0,55 / 3,5	-
		230/1/60	0,55 / 4,3	0,55 / 4,3	0,55 / 4,3	-
		230/3/50	0,45 / 2,4	0,55 / 3,0	0,55 / 3,0	0,75 / 4,0
		208/3/60	-	-	-	-
		400/3/50	0,45 / 1,4	0,55 / 1,7	0,55 / 1,7	0,75 / 2,3
		440/3/60	-	-	-	-
	Salt water circulation	230/1/50	0,45 / 3,6	0,45 / 3,6	0,55 / 4,5	-
		230/1/60	0,45 / 4,3	0,45 / 4,3	0,55 / 5,4	-
		230/3/50	0,45 / 2,3	0,45 / 2,3	0,55 / 3,0	0,55 / 3,0
		208/3/60	-	-	-	-
		400/3/50	0,45 / 1,3	0,45 / 1,3	0,55 / 1,7	0,55 / 1,7
		440/3/60	-	-	-	-
Water connections	Salt water	1" gas F	1" gas F	1" gas F	1"1/4 gas M	
	Circulation	1" M	1" M	1" M	1"1/2 gas F	
	Drainage	3/8" gas F	3/8" gas F	3/8" gas F	3/8" gas F	
	Filling	1/2" gas F	1/2" gas F	1/2" gas F	1/2" gas F	



- Where the diameter is in mm, a pipe fitting is used; and where the diameter is in inches, a threaded connection ring is used

- The data are subject to change
- The images are for illustrative purposes only and may not match the finished product in your possession

• Please contact Condaria for customised products

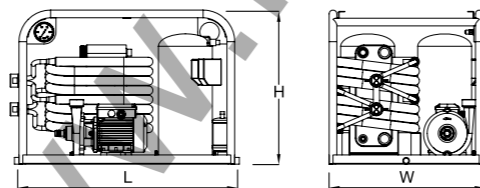


Technical specifications of water chillers – PCWM / LT Q.S. – 1 / 2 Compressors

MODEL		30001	45001	27502	30002	45002	60002	72002	
Refrigerant		R410A	R410A	R410A	R410A	R410A	R410A	R410A	
Rated cooling capacity	kCal/h	30000	45000	27500	30000	45000	60000	72000	
	Btu/h	120000	180000	110000	120000	180000	240000	288000	
	Watt	34884	52326	32219	34884	52326	69767	83721	
Rated heating capacity	kCal/h	37500	56250	34376	37500	56250	75000	90000	
	Btu/h	150000	225000	137510	150000	225000	300000	360000	
	Watt	43605	65407	39972	43605	65407	87209	104651	
Compressor	Absorption (A)	230/1/50	-	-	21,70	20,20	-	-	
		230/1/60	-	-	34,60	21,50	-	-	
		230/3/50	-	-	-	16,00	-	-	
		208/3/60	32,90	45,70	15,50	17,30	23,00	32,90	40,60
		400/3/50	17,40	28,18	10,10	8,90	11,60	17,40	18,30
		440/3/60	15,30	21,20	-	9,60	12,34	15,30	15,30
Dimensions (mm)	Fitted panel	Lenght	800	800	1050	1050	1200	970	
		Widht	550	550	560	560	620	870	870
		Height	750	750	600	600	600	750	750
Panel LxHxW (mm)	400/3	400x500x250	400x500x250	400x600x250	400x500x250	400x600x250	400x600x250	400x600x250	
	230/1		400x500x250						
Pumps (kW/A)	Fresh water circulation	230/1/50	0,75 / 5,7	-	0,75 / 5,7	0,75 / 5,7	-	-	-
		230/1/60	0,75 / 6,5	-	0,75 / 6,5	0,75 / 6,5	-	-	-
		230/3/50	0,75 / 4,0	1,1 / 5,0	0,75 / 4,0	0,75 / 4,0	1,1 / 5,0	1,5 / 7,5	1,5 / 7,5
		208/3/60	0,75 / 4,5	1,1 / 5,7	0,75 / 4,5	0,75 / 4,5	1,1 / 5,7	1,5 / 8,0	1,5 / 8,0
		400/3/50	0,75 / 2,3	1,1 / 2,9	0,75 / 2,3	0,75 / 2,3	1,1 / 2,9	1,5 / 4,3	1,5 / 4,3
		440/3/60	-	-	-	-	-	-	-
	Salt water circulation	230/1/50	0,55 / 4,5	-	0,55 / 4,5	0,55 / 4,5	-	-	-
		230/1/60	0,55 / 5,2	-	0,55 / 5,2	0,55 / 5,2	-	-	-
		230/3/50	0,55 / 3,0	0,75 / 4,0	0,55 / 3,0	0,55 / 3,0	0,75 / 4,0	1,1 / 5,0	1,1 / 5,0
		208/3/60	0,55 / 4,5	0,75 / 4,8	0,55 / 4,5	0,55 / 4,5	0,75 / 4,8	1,1 / 6,0	1,1 / 6,0
		400/3/50	0,55 / 1,7	0,75 / 2,3	0,55 / 1,7	0,55 / 1,7	0,75 / 2,3	1,1 / 2,9	1,1 / 2,9
		440/3/60	-	-	-	-	-	-	-
Water connections	Salt water	Ø45	Ø45	1"1/2 gas M	1"1/2 gas M	2" gas M	2" gas M	2" gas M	
	Circulation	1"1/2 gas F	1"1/2 gas F	1"1/2 gas F	1"1/2 gas F	2" gas F	2" gas F	2" gas F	
	Drainage	3/8" gas F	3/8" gas F	3/8" gas F	3/8" gas F	3/8" gas F	1/2" gas F	1/2" gas F	
	Filling	1/2" gas F	1/2" gas F	1/2" gas F	1/2" gas F	1/2" gas F	1/2" gas F	1/2" gas F	

• Where the diameter is in mm, a pipe fitting is used; and where the diameter is in inches, a threaded connection ring is used

• The data are subject to change
• The images are for illustrative purposes only and may not match the finished product in your possession



• Please contact Condaria for customised products

Condaria 87 - Via Vesuvio 18 - 20834 Nova Milanese MB (Italy)
Tel +39 036244182 Tel +39 036236459 Fax +39 0362452226



CONDARIA PCWM / COMPACT

Groups in heat pump compact



The PCWM / Compact is compact and can, therefore, be installed on any type of boat.

These units differ from the PCWM / LT units in that they use only the R-410A gas with which they are pre-filled at the factory and have a separate electrical control panel, further reducing their dimensions.

Like the PCWM / FCL and LT units, they produce hot or cold water. Condaria offers a broad range of models with different power ratings.

These units are made with materials highly resistant to corrosion.

There is an electronic control system for operating each unit.



Separate electrical control panel



Pump

BENEFITS

- Compact design
- Easy to install
- Materials highly resistant to corrosion
- Uses R-410A gas
- Separate electrical control panel
- Soft start system, limiting the inrush current for compressors and single-phase installations (Smart Start)

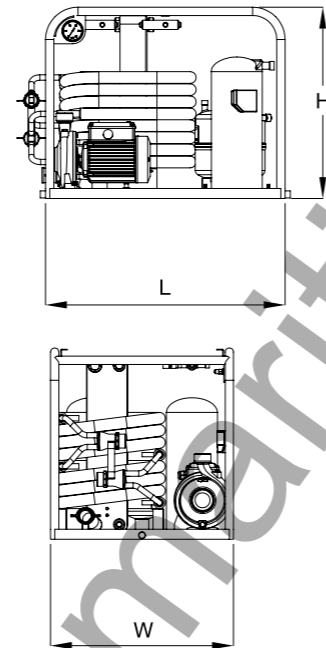
ACCESSORIES

- Inverter for three-phase / starter systems
- Inverter for single-phase systems
- Vertical version on request



Technical specifications of water chillers – PCWM / FCL Q.S. – 3/4 Compressors

MODEL		12002	15002	18002	23002	
Refrigerant		R410A	R410A	R410A	R410A	
Rated cooling capacity	kCal/h	12000	15000	18000	23000	
	Btu/h	48000	60000	72000	92000	
	Watt	13954	17445	20930	26744	
Rated heating capacity	kCal/h	15000	18750	22500	28750	
	Btu/h	60000	75000	90000	115000	
	Watt	17442	21802	26163	33430	
Compressor	Absorption (A)	230/1/50	11,70	16,00	20,00	18,00
		230/1/60	12,00	17,00	17,00	21,50
		230/3/50	12,80	12,80	14,10	16,00
		208/3/60	-	12,80	12,80	14,10
		400/3/50	6,40	6,40	7,10	7,70
		440/3/60	-	6,40	6,40	6,40
Dimensions (mm)	Fitted panel	Lenght	700	700	700	720
		Widht	500	500	500	550
		Height	500	500	500	580
Panel LxHxW (mm)	230/1	300x400x200	300x400x200	300x400x200	300x400x200	
	400/3	400x500x250	400x500x250	400x500x250	400x500x250	
Weight (kg)		143	143	-	141	
Pumps (kW/A)	Fresh water circulation	230/1/50	0,45 / 3,0	0,55 / 3,5	0,55 / 3,5	-
		230/1/60	0,55 / 4,3	0,55 / 4,3	0,55 / 4,3	-
		230/3/50	0,45 / 2,4	0,55 / 3,0	0,55 / 3,0	0,75 / 4,0
		208/3/60	-	-	-	-
		400/3/50	0,45 / 1,4	0,55 / 1,7	0,55 / 1,7	0,75 / 2,3
		440/3/60	-	-	-	-
Water connections	Salt water circulation	230/1/50	0,45 / 3,6	0,45 / 3,6	0,55 / 4,5	-
		230/1/60	0,45 / 4,3	0,45 / 4,3	0,55 / 5,4	-
		230/3/50	0,45 / 2,3	0,45 / 2,3	0,55 / 3,0	0,55 / 3,0
		208/3/60	-	-	-	-
		400/3/50	0,45 / 1,3	0,45 / 1,3	0,55 / 1,7	0,55 / 1,7
		440/3/60	-	-	-	-
Water connections	Salt water	1" gas F	1" gas F	1" gas F	1"1/4 gas M	
	Circulation	1"	1"	1"	1"1/2 gas F	
	Drainage	3/8" gas F	3/8" gas F	3/8" gas F	3/8" gas F	
	Filling	1/2" gas F	1/2" gas F	1/2" gas F	1/2" gas F	



• Where the diameter is in mm, a pipe fitting is used; and where the diameter is in inches, a threaded connection ring is used

• The data are subject to change
• The images are for illustrative purposes only and may not match the finished product in your possession

• Please contact Condaria for customised products

Condaria 87 - Via Vesuvio 18 - 20834 Nova Milanese MB (Italy)
Tel +39 036244182 Tel +39 036236459 Fax +39 0362452226



CONDARIA MICROCHILLER

Extremely compact design groups



The microchiller is easy to install and use, and can produce both hot and cold water. Each unit is made with materials resistant to corrosion.

The unit is extremely compact and can, therefore, be installed on any type of boat. It is available in various power ratings.

The series is designed to make the most of the R-410A gas with which it is pre-filled at the factory.

The structure is modular to permit the combination of units.

There is an electronic control system for operating each unit.



Microchiller 18



Remote display for MC36 and MC42

BENEFITS

- Compact design
- Modular system
- Heat pump
- Soft start system, limiting the inrush current for compressors and single-phase installations (Smart Start)
- Electrical control panel
- Remote display for MC36 and MC42
- Modularity for attaining the required capacity with greater flexibility

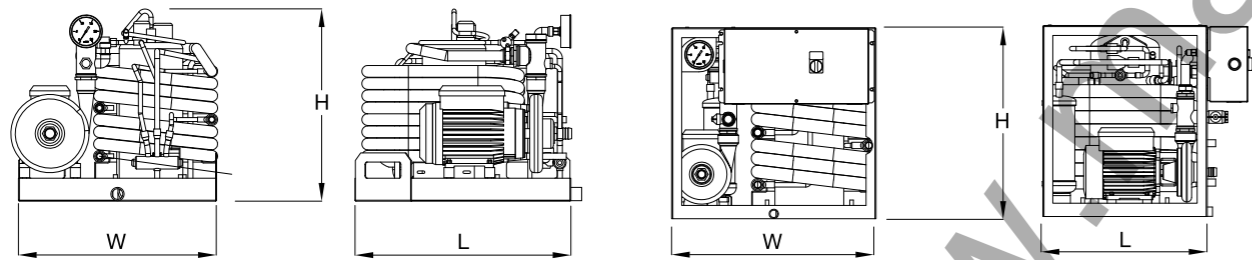
ACCESSORIES

- Dometic kit for
- MC18, MC36 and MC42



Technical specifications of Compact, modular and expandable chillers – Microchillers

MODEL		18	24	30	36	42	
Refrigerant		R410A	R410A	R410A	R410A	R410A	
Rated cooling capacity	kCal/h	4500	6000	7500	9000	10500	
	Btu/h	18000	24000	30000	36000	42000	
	Watt	5230	6975	8720	10460	12210	
Rated heating capacity	kCal/h	5625	7500	9000	11250	13125	
	Btu/h	22500	30000	36000	45000	52500	
	Watt	6540	8720	10460	13080	15225	
Compressor	Absorption (A)	230/1/50	9,15	11,70	11,70	21,20	21,20
		230/1/60	-	12,00	12,00	17,00	21,50
Dimensions (mm)	Fitted panel	Length	425	495	495	615	615
		Width	405	460	460	400	400
		Height	380	430	430	450	450
Weight (kg)		43	-	66	-	78	
Pumps (kW/A)	Fresh water circulation	230/1/50	0,37 / 2,5	0,45 / 3,0	0,45 / 3,0	0,45 / 3,0	0,45 / 3,0
		230/1/60	0,37 / 3,1	0,45 / 4,3	0,55 / 4,3	0,55 / 4,3	0,55 / 4,3
		230/3/50	-	-	-	0,45 / 2,4	0,45 / 2,4
		208/3/60	-	-	-	-	-
		400/3/50	-	-	0,45 / 1,4	0,45 / 1,4	0,45 / 1,4
		440/3/60	-	-	-	-	-
	Salt water circulation	230/1/50	0,37 / 2,8	0,37 / 2,8	0,37 / 2,8	0,37 / 2,8	0,37 / 2,8
		230/1/60	0,37 / 3,4	0,37 / 3,4	0,37 / 3,4	0,37 / 3,4	0,37 / 3,4
		230/3/50	-	-	-	0,37 / 2,3	0,37 / 2,3
		208/3/60	-	-	-	-	-
		400/3/50	-	-	0,37 / 1,3	0,37 / 1,3	0,37 / 1,3
		440/3/60	-	-	-	-	-
Water connections	Salt water	Ø16	Ø16	Ø16	Ø19	Ø19	
	Circulation	Ø19	Ø19	Ø19	Ø25	Ø25	
	Drainage	1/2" gas F	1/2" gas F	1/2" gas F	1/2" gas F	1/2" gas F	
	Filling	1/2" gas F	1/2" gas F	1/2" gas F	1/2" gas F	1/2" gas F	



• Where the diameter is in mm, a pipe fitting is used; and where the diameter is in inches, a threaded connection ring is used

• The data are subject to change
• The images are for illustrative purposes only and may not match the finished product in your possession

• Please contact Condaria for customised products

CONDARIA PCWM VAR

Heat pump units with variable yield



Designed to ensure simple and intuitive use, the VAR heat pump unit with variable speed compressors is available in a broad range of models with different power ratings.

The speed of the compressors is continuously modulated in relation to the demand of the installation, between 20rps and 100rps. This modulating system guarantees excellent functional performance and energy savings.

Dedicated inverters limit the inrush current at start-up. The safety and reliability of the installation are guaranteed in the event of failure of one or more compressors, as the management software makes the unit continue to run.

Each compressor can be managed autonomously since it is possible to stop it either with the software or with dedicated contacts.

There is an automatic function for retrieving the oil in the installation to guarantee constant lubrication of the compressors.

An automatic compressor preheating function prevents liquid from entering the compressors when these are not running.

Each unit has antifreeze protection for both the plate exchanger and salt water exchanger.

The installation can be managed on the display and with dedicated START/STOP and WINTER/SUMMER contacts. Each VAR has a ModBus communication board and a remote display board as standard.



It ensures excellent energy savings by modulating the speed of the compressor



PGD1 display with touch keys



PDLPro ultra-compact display with touch keys



PGDX display touch screen

BENEFITS

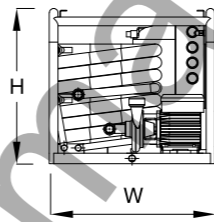
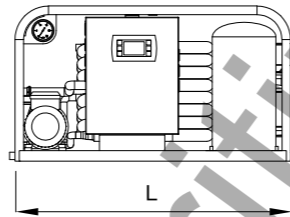
- Compact design
- Modulating system from 20rps to 100rps
- Electronic expansion valve for control of refrigeration cycle
- Low energy consumption
- Electrical control panel with display
- Integrated board for twin display
- ModBus RTU communication board for domotic

ACCESSORIES

- PGD1 display with touch keys
- and white or black surround
- PGDX touch screen display with white or black surround
- PGDX display

Technical specifications of water chillers - PCWM / VAR Q.S. - 1 Compressor

MODEL		9001	12001	15001	18001	
Refrigerant		R410A	R410A	R410A	R410A	
Rated cooling capacity	kCal/h	9000	12000	15000	18000	
	Btu/h	36000	48000	60000	72000	
	Watt	10465	13953	17442	20930	
Rated heating capacity	kCal/h	11250	15000	18750	22500	
	Btu/h	45000	60000	75000	90000	
	Watt	13081	17442	21802	26163	
Compressor	230 V-1ph-50/60Hz	Max demand of inverter (A)	28,00	28,00	28,00	40,00
		Min absorption (A)	2,36	3,21	3,21	13,16
		Max absorption (A)	10,65	13,00	16,01	25,00
	400 V-3ph-50/60Hz	Max demand of inverter (A)	23,00	23,00	23,00	23,00
		Min absorption (A)	2,36	3,21	3,21	10,65
		Max absorption (A)	10,65	13,00	16,01	12,28
Dimensions (mm)	Fitted panel	Lenght	-	700	700	720
		Widht	-	500	500	550
		Height	-	500	500	580
Panel LxHxW (mm)	230/1	300x400x200	300x400x200	300x400x200	340x470x220	
	400/3	-	-	-	-	
Weight (kg)		-	-	110	-	
Pumps (kW/A)	Fresh water circulation	230/1/50	0,45 / 3,0	0,45 / 3,0	0,55 / 3,5	0,55 / 3,5
		230/1/60	0,55 / 4,3	0,55 / 4,3	0,55 / 4,3	0,55 / 4,3
		230/3/50	0,45 / 2,4	0,45 / 2,4	0,55 / 3,0	0,55 / 3,0
		208/3/60	-	-	-	-
		400/3/50	0,45 / 1,4	0,45	/1,4	0,55 / 1,7
		440/3/60	-	-	-	-
	Salt water circulation	230/1/50	0,37 / 2,8	0,45 / 3,6	0,45 / 3,6	0,55 / 4,5
		230/1/60	0,37 / 3,4	0,45 / 4,3	0,45 / 4,3	0,55 / 5,4
		230/3/50	0,37 / 2,3	0,45 / 2,3	0,45 / 2,3	0,55 / 3,0
		208/3/60	-	-	-	-
		400/3/50	0,37 / 1,3	0,45 / 1,3	0,45 / 1,3	0,55 / 1,7
		440/3/60	-	-	-	-
Water connections	Salt water	Ø19	1" gas F	1" gas F	1"1/4 gas M	
	Circulation	Ø25	1" gas M	1" gas M	1" gas M	
	Drainage	-	3/8" gas F	3/8" gas F	3/8" gas F	
	Filling	-	1/2" gas F	1/2" gas F	1/2" gas F	



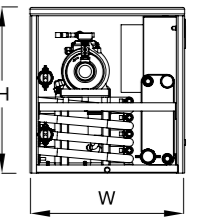
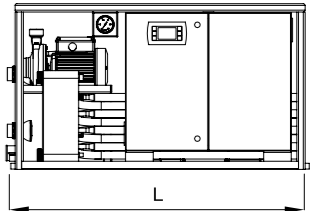
- Where the diameter is in mm, a pipe fitting is used; and where the diameter is in inches, a threaded connection ring is used

- The data are subject to change
- The images are for illustrative purposes only and may not match the finished product in your possession
- Please contact Condaria for customised products



Technical specifications of water chillers - PCWM / VAR Q.S. - 2 Compressors

MODEL		24002	27502	30002	36002	
Refrigerant		R410A	R410A	R410A	R410A	
Rated cooling capacity	kCal/h	24000	27500	30000	36000	
	Btu/h	96000	110000	120000	144000	
	Watt	27905	31977	34884	41860	
Rated heating capacity	kCal/h	30000	34377	37500	45000	
	Btu/h	120000	137510	150000	180000	
	Watt	34884	39973	43605	52325	
Compressor	230 V-1ph-50/60Hz	Max demand of inverter (A)	56,00	56,00	56,00	80,00
		Min absorption (A)	6,42	6,42	6,42	26,32
		Max absorption (A)	26,00	29,04	32,02	50,00
	400 V-3ph-50/60Hz	Max demand of inverter (A)	46,00	46,00	56,00	46,00
		Min absorption (A)	6,42	6,42	6,42	5,46
		Max absorption (A)	26,00	29,04	34,02	24,56
Dimensions (mm)	Fitted panel	Lenght	1050	1050	1050	1150
		Widht	560	560	560	650
		Height	600	600	600	1150
Panel LxHxW (mm)	230/1	600x500x150	600x500x150	600x500x150	800x700x220	
	400/3	800x600x200	800x600x200	800x600x200	-	
Weight (kg)		-	-	-	-	
Pumps (kW/A)	Fresh water circulation	230/1/50	-	0,75 / 5,7	0,75 / 5,7	-
		230/1/60	-	0,75 / 6,5	0,75 / 6,5	-
		230/3/50	-	0,75 / 4,0	0,75 / 4,0	-
		208/3/60	-	0,75 / 4,5	0,75 / 4,5	-
		400/3/50	-	0,75 / 2,3	0,75 / 2,3	-
		440/3/60	-	-	-	-
	Salt water circulation	230/1/50	-	-	0,55 / 4,5	-
		230/1/60	-	-	0,55 / 5,2	-
		230/3/50	-	-	0,55 / 3,0	-
		208/3/60	-	-	0,55 / 4,5	-
		400/3/50	-	-	0,55 / 1,7	-
		440/3/60	-	-	-	-
Water connections	Salt water	1"1/2 gas M	1"1/2 gas M	1"1/2 gas M	1"1/2 gas M	
	Circulation	1"1/2 gas F	1"1/2 gas F	1"1/2 gas F	1"1/2 gas F	
	Drainage	3/8" gas F	3/8" gas F	3/8" gas F	3/8" gas F	
	Filling	1/2" gas F	1/2" gas F	1/2" gas F	1/2" gas F	

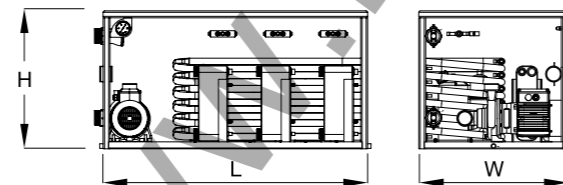


- Where the diameter is in mm, a pipe fitting is used; and where the diameter is in inches, a threaded connection ring is used

- The data are subject to change
- The images are for illustrative purposes only and may not match the finished product in your possession
- Please contact Condaria for customised products

Technical specifications of water chillers – PCWM / VAR Q.S. – 3 Compressors

MODEL		45003	54003	
Refrigerant		R410A	R410A	
Rated cooling capacity	kCal/h	45000	54000	
	Btu/h	180000	216000	
	Watt	52326	62791	
Rated heating capacity	kCal/h	56250	67500	
	Btu/h	281250	270000	
	Watt	65407	78488	
Compressor	230 V-1ph-50/60Hz	Max demand of inverter (A)	84,00	120,00
		Min absorption (A)	9,63	40,80
		Max absorption (A)	48,03	75,00
	400 V-3ph-50/60Hz	Max demand of inverter (A)	69,00	69,00
		Min absorption (A)	9,63	8,19
		Max absorption (A)	48,03	36,84
Dimensions (mm)	Separate panel	Lenght	-	-
		Widht	-	-
		Height	-	-
Panel LxHxW (mm)	230/1	720x550x200	-	
	400/3	-	-	
Weight (kg)		257	-	
Pumps (kW/A)	Fresh water circulation	230/1/50	-	-
		230/1/60	-	-
		230/3/50	1,1 / 5,0	-
		230/3/60	1,1 / 5,7	-
		208/3/60	1,1 / 2,9	-
		400/3/50	-	-
	Salt water circulation	230/1/50	-	-
		230/1/60	-	-
		230/3/50	0,75 / 4,0	-
		208/3/60	0,75 / 4,8	-
		400/3/50	0,75 / 2,3	-
		440/3/60	-	-
Water connections	Salt water	2" gas M	-	
	Circulation	2" gas F	-	
	Drainage	3/8" gas F	-	
	Filling	1/2" gas F	-	



- Where the diameter is in mm, a pipe fitting is used; and where the diameter is in inches, a threaded connection ring is used

- The data are subject to change
- The images are for illustrative purposes only and may not match the finished product in your possession

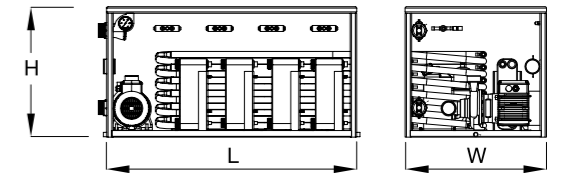
• Please contact Condaria for customised products

Condaria 87 - Via Vesuvio 18 - 20834 Nova Milanese MB (Italy)
Tel +39 036244182 Tel +39 036236459 Fax +39 0362452226



Technical specifications of water chillers – PCWM / VAR Q.S. – 4 Compressors

MODEL		48004	60004	72004	80004	96004	120004	
Refrigerant		R410A	R410A	R410A	R410A	R410A	R410A	
Rated cooling capacity	kCal/h	48000	60000	72000	80000	96000	120000	
	Btu/h	192000	240000	288000	320000	384000	480000	
	Watt	55814	69767	83721	93023	111628	139535	
Rated heating capacity	kCal/h	60000	75000	90000	100000	120000	150000	
	Btu/h	240000	300000	360000	400000	480000	600000	
	Watt	69767	87209	104651	116280	139535	174419	
Compressor	230 V-1ph-50/60Hz	Max demand of inverter (A)	112,00	112,00	160,00	-	-	
		Min absorption (A)	12,84	12,84	52,64	-	-	
		Max absorption (A)	52,00	64,04	100,00	-	-	
	400 V-3ph-50/60Hz	Max demand of inverter (A)	92,00	92,00	92,00	120,00	140,00	140,00
		Min absorption (A)	12,84	12,84	10,92	9,64	11,12	13,84
		Max absorption (A)	52,00	64,04	49,12	43,36	50,00	62,24
Dimensions (mm)	Fitted panel	Lenght	-	-	-	-	-	
		Widht	-	-	-	-	-	
		Height	-	-	-	-	-	
Panel LxHxW (mm)	230/1	-	-	-	-	-	-	
	400/3	-	-	-	-	-	-	
Weight (kg)		-	-	-	-	-	-	
Pumps (kW/A)	Fresh water circulation	230/1/50	-	-	-	-	-	
		230/1/60	-	-	-	-	-	
		230/3/50	-	1,5 / 7,5	1,5 / 7,5	-	-	
		208/3/60	-	1,5 / 8,0	1,5 / 8,0	-	-	
		400/3/50	-	1,5 / 4,3	1,5 / 4,3	-	-	
		440/3/60	-	-	-	-	-	
	Salt water circulation	230/1/50	-	-	-	-	-	
		230/1/60	-	-	-	-	-	
		230/3/50	-	1,1 / 5,0	1,1 / 5,0	-	-	
		208/3/60	-	1,1 / 6,0	1,1 / 6,0	-	-	
		400/3/50	-	1,1 / 2,9	1,1 / 2,9	-	-	
		440/3/60	-	-	-	-	-	
Water connections	Salt water	-	-	-	-	-		
	Circulation	-	-	-	-	-		
	Drainage	-	-	-	-	-		
	Filling	-	-	-	-	-		



- Where the diameter is in mm, a pipe fitting is used; and where the diameter is in inches, a threaded connection ring is used

- The data are subject to change
- The images are for illustrative purposes only and may not match the finished product in your possession

• Please contact Condaria for customised products





CONDARIA
WATER CHILLERS

CONDARIA DFV
Monoblocks with variable yield



Designed to ensure simple and intuitive use, the "DFV" direct expansion unit with variable speed compressor is available in a range of three models with different power ratings.

The speed of the compressors is continuously modulated in relation to the demand of the installation, between 20rps and 90rps. This modulating system guarantees excellent functional performance and energy savings.

Dedicated inverters limit the inrush current at start-up. The new management software guarantees both safety and reliability.

The compressor can be managed autonomously since it is possible to stop it with the software, at the terminal or with a domotic system (with optional board), keeping only the ventilation function active.

There is an automatic function for retrieving the oil in the installation to guarantee constant lubrication of the compressor.

An automatic compressor preheating function prevents liquid from entering the compressor when it is not running.

Each unit has electronic antifreeze protection for both the direct expansion exchanger (air side) and salt water exchanger.

The unit can be managed with either of three models of display which can be chosen on the basis of the aesthetic and economic requirements of the installation (optional).

Each DFV can also be provided, on request, with a ModBus communication board.



It ensures excellent energy savings by modulating the speed of the compressor



PDLPro ultra-compact display with touch keys



PGD1 backlit semi-graphic display



PGDX display touch screen

BENEFITS

- Compact design
- Modulating system from 20rps to 90rps
- Electronic expansion valve for control of refrigeration cycle
- Low energy consumption
- Separate electrical control panel

ACCESSORIES

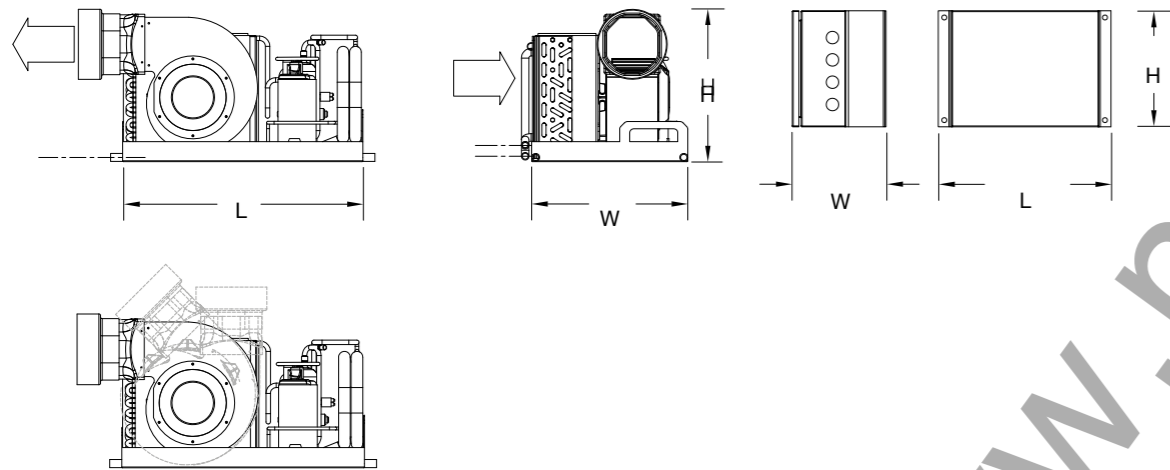
- PLDPro ultra-compact display with touch keys
- PGD1 semi-graphic display with white or black surround
- PGDX touch screen display with white or black surround
- ModBus RTU communication board for domotics



Technical specifications of water chillers – DFV

MODEL			DFV 8	DFV 12	DFV 18
Refrigerant			R410A	R410A	R410A
Rated cooling capacity	Kcal/h		2250	3190	4380
	BTU/h		9000	12800	17500
	Watt		2600	3700	5100
Rated heating capacity	Kcal/h		2590	3700	5000
	BTU/h		10300	14800	20100
	Watt		2900	4300	5800
Compressor and fan	230V-1ph-50/60Hz	Absorption (A) (cooling)	2,66	4,52	6,80
	LFS fan only	230V-1ph-50/60Hz	Absorption (A) (ventilation)	0,37	0,8
Dimensions (mm)	Main unit	Lenght	530	530	600
		Widht	330	330	390
		Height	350	350	380
Dimensions (mm)	Electrical control panel	Lenght	390	390	390
		Widht	210	210	210
		Height	260	260	260
Weight	Main unit	Kg	21	23	32
	Elect. control panel	Kg	11	11	11
Connections on air side	Duct	mm	Ø 125	Ø 125	Ø 180
	Elect. control panel	inch	Ø 5"	Ø 5"	Ø 7"
Salt water pump	230V-1ph-50Hz	(kW/A)	0,37 / 2,80	0,37 / 2,80	0,45 / 3,60
	230V-1ph-60Hz	(kW/A)	0,37 / 3,40	0,37 / 3,40	0,45 / 4,10
Connections on water side	Salt water	mm	Ønom. 16	Ønom. 16	Ønom. 16
	Drainage	mm	Ønom. 18	Ønom. 18	Ønom. 18

Operating data with compressor and fan running at maximum speed



- The data are subject to change
- The images are for illustrative purposes only and may not match the finished product in your possession

• Please contact Condaria for customised products

Condaria 87 - Via Vesuvio 18 - 20834 Nova Milanese MB (Italy)
Tel +39 036244182 Tel +39 036236459 Fax +39 0362452226



CONDARIA ELECTRIC WATER HEATERS

Electric heater



The water heater is a unit for heating water.

Condaria water heaters are designed to heat water extremely quickly in marine installations: for this reason, they are made with materials highly resistant to corrosion.

These are electric multi-stage heaters (2,3,4 resistors) with stainless steel cylindrical shell and control and safety devices designed to ensure operation.

The immersion heating elements are with shell/armoured and made with stainless steel.



Safety valve and thermostat with manual reset



Uncoated stainless steel water heater



Resistenza elettrica ad immersione corazzate/stagne in acciaio inox

BENEFITS

- Various models and power ratings
- Can be mounted horizontally or vertically
- Materials highly resistant to corrosion
- Easy to install Easy
- Maintenance
- Stainless steel shell and armoured immersion electric heating elements

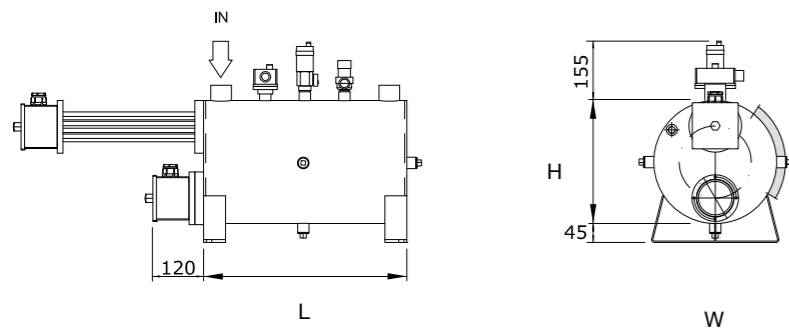


WATER CHILLERS WATER HEATERS AIR DEFOG AIR HANDLERS AIR EXHAUST BOXES HUMIDIFIERS PUMPS ACCESSORIES DISPLAY

Technical specifications of the water heater

MODEL	B0062C460-CO	B0093C460-CO	B0122C460-CO	B0183C460-CO	B0273C750-CO	B0363C750-CO
Capacity (kW)	6	9	12	18	27	36
N° x Watt (mm)	26,5	26,5	67,5	67,5	67,5	67,5
Voltage (V)	2 x 3	3 x 3	2 x 6	3 x 6	3 x 9	3 x 12
Attacks (inches)	400/3/50-60	400/3/50-60	400/3/50-60	400/3/50-60	400/3/50-60	400/3/50-60
Length (mm)	1"	1"	1,1 / 4"	1,1 / 4"	1,1 / 4"	1,1 / 4"
Width (mm)	460	460	460	460	750	750
Height (mm)	270	300	270	300	350	350
Weight (kg)	120	120	120	120	120	120
Fuel consumption (l/h)	55	60	75	80	80	85
Separate panel	Length (mm)	400	400	500	500	500
	Width (mm)	500	500	700	700	700
	Height (mm)	200	200	250	250	250
Absorption (A)	9,10	13,65	18,22	27,33	41,61	54,60

MODEL	B0453C750-CO	B0603C900-CO	B0753C900-CO	B0804C900-CO	B1004C900-CO
Capacity (kW)	45	60	75	80	100
N° x Watt (mm)	67,5	67,5	86,5	86,5	86,5
Voltage (V)	3 x 15	3 x 20	3 x 25	4 x 20	4 x 25
Attacks (inches)	400/3/50-60	400/3/50-60	400/3/50-60	400/3/50-60	400/3/50-60
Length (mm)	1,1 / 4"	1,1 / 4"	1,1 / 4"	1,1 / 4"	1,1 / 4"
Width (mm)	750	900	900	900	900
Height (mm)	350	350	350	350	350
Weight (kg)	120	120	120	120	120
Fuel consumption (l/h)	85	85	95	110	115
Separate panel	Length (mm)	500	500	500	500
	Width (mm)	700	700	700	700
	Height (mm)	250	250	300	300
Absorption (A)	68,10	90,90	113,70	121,20	151,60



- The data are subject to change
- The images are for illustrative purposes only and may not match the finished product in your possession

• Please contact Condaria for customised products



EBERSPÄCHER HYDRONIC LII WATER HEATER

Diesel heater



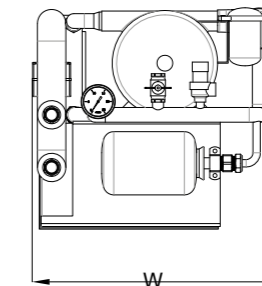
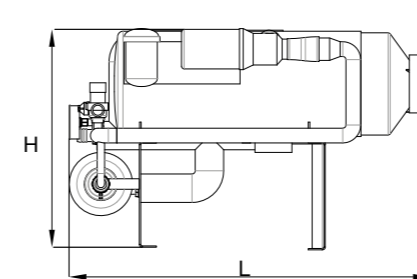
It is advisable to install heaters when there is insufficient energy to run an electric boiler or when the use of a heat pump unit is not sufficient to reach the required level of diesel heater.

These come with a broad range of thermal ratings and are diesel fired. Since they are compact, the heaters are suitable for existing installations.

They are easy to start and extremely energy efficient and environmentally friendly.

Maintenance is easier as there are fewer components.

MODEL	L30	L35
Capacity (kW)	30	35
Length (mm)	6	
Width (mm)	475	450
Height (mm)	475	370
Power supply (Vdc)	24	24
Weight (kg)	18	18
Exhaust gas (mm)	70	70
Fuel	Diesel	Diesel
Fuel consumption (l/h)	3,6	4,2



- The data are subject to change
- The images are for illustrative purposes only and may not match the finished product in your possession

BENEFITS

- Resistant materials
- High performance
- Low consumption
- Easy to install
- Compact size

• Please contact Condaria for customised products



EBERSPÄCHER HYDRONIC MII WATER HEATER

Diesel heater

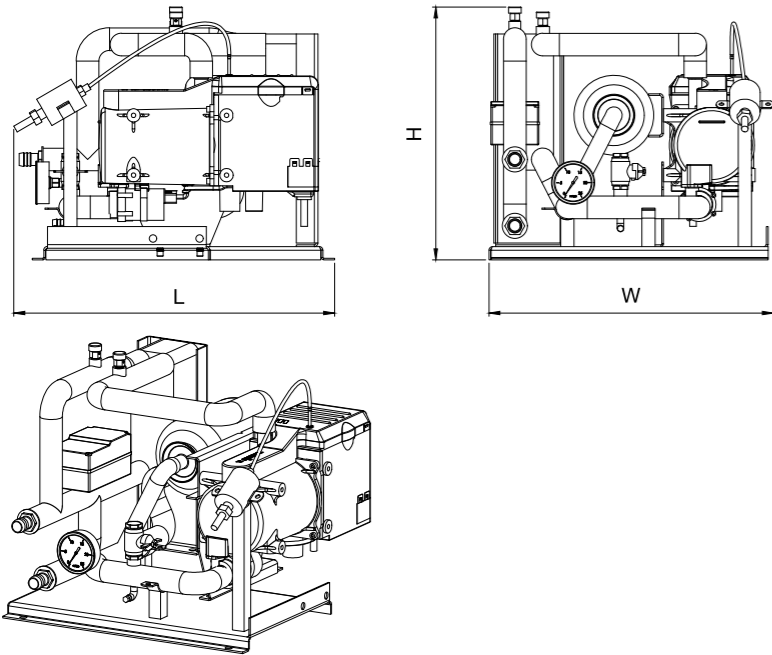


It is advisable to install heaters when there is insufficient energy to run an electric boiler or when the use of a heat pump unit is not sufficient to reach the required level of heat.

These come with a broad range of thermal ratings and are diesel fired. Since they are compact, the heaters are suitable for existing installations.

They are easy to start and extremely energy efficient and environmentally friendly.

Maintenance is easier as there are fewer components.



- The data are subject to change
- The images are for illustrative purposes only and may not match the finished product in your possession

Condaria 87 - Via Vesuvio 18 - 20834 Nova Milanese MB (Italy)
Tel +39 036244182 Tel +39 036236459 Fax +39 0362452226



CONDARIA KABOLA WATER HEATER

Diesel heater



The Kabola boilers in the HR series are designed to generate heat for a central heating system.

The boilers in the HR series use a pressure burner installed at the front of the boiler to heat the water.

The Kabola HR series consists of reliable boilers that can supply 10, 14 and 20 kW.

The broad scope of application and silent and fully automatic operation of this product make it suitable for most sailing boats and motor yachts.

There are also ecological models that guarantee low consumption and minimal emissions.

MODEL	HRE 300	HRE 400	HRE 500
Capacity (kW)	10	14	20
Length (mm)	360	370	370
Width (mm)	690	370	370
Height (mm)	360	400	470
Power supply (Vdc)	230	230	230
Weight (kg)	60	70	81
Exhaust gas (mm)	60	80	80
Fuel	Diesel	Diesel	Diesel
Fuel consumption (l/h)	1,1	1,4	1,8

- The data are subject to change
- The images are for illustrative purposes only and may not match the finished product in your possession

Condaria 87 - Via Vesuvio 18 - 20834 Nova Milanese MB (Italy)
Tel +39 036244182 Tel +39 036236459 Fax +39 0362452226

BENEFITS

- Resistant materials
- High performance
- Low consumption
- Easy to install
- Compact size
- Silent/Low noise level
- Automatic operation
- Versatile
- Diesel fuel

ACCESSORIES

- Double exit for heating / water

• Please contact Condaria for customised products



CONDARIA KABOLA ECO WATER HEATER

Ecological, Low Energy Consumption



The Kabola boilers in the HR series are designed to generate heat for a central heating system.

The ecological models guarantee low consumption and minimal emissions, and are extremely environmentally friendly.

The broad scope of application and silent and fully automatic operation of this product make it suitable for most sailing boats and motor yachts.

MODEL	KB20	KB40	KB45	KB50	KB75
Capacity (kW)	7	13	24	28	38
Power supply (V)	230	230	230	230	230
Length (mm)	455	470	505	470	570
Width (mm)	520	655	675	735	740
Height (mm)	435	450	475	475	570
Weight (kg)	65	75	80	90	115
Exhaust gas (mm)	50	50	5	80	80
Fuel	Diesel	Diesel	Diesel	Diesel	Diesel
Fuel consumption (l/h)	0,69	1,27	2,35	2,75	3,73

- The data are subject to change
- The images are for illustrative purposes only and may not match the finished product in your possession

Condaria 87 - Via Vesuvio 18 - 20834 Nova Milanese MB (Italy)
Tel +39 036244182 Tel +39 036236459 Fax +39 0362452226



CONDARIA, ALU SERIES (MINI – COMPACT)

Fan-coil, Fitted and Low Pressure



The air handlers in the ALU series have low pressure fans and cannot be ducted.

The mini and compact models are available in two versions: horizontal and vertical.

These have water connections on the right (facing the filter) which can be available on request on the opposite side.

Each unit in the series has a plastic pan designed to ensure quick removal of condensate.

An additional stainless steel pan can be installed on request.

Each air handler in the series has two pipe fittings.

Each unit can be adjusted in a simple and intuitive way at the display.

BENEFITS

- Ecoline was designed to be extremely environmentally friendly without sacrificing powerful operation
- Strong materials
- Ecological with low fuel consumption
- Low emissions
- Silent
- Diesel fuel
- Powerful and compact
- LED display

ACCESSORIES

- Double exit
- Please contact Condaria for customised products



Antivibration mounts that reduce vibrations and noise



Three-way valve



Corrosion resistant, anti-tilting stainless steel pan for condensate

BENEFITS

- Modern and compact design
- Easy to install
- Silent
- Air conditioning from 2308 to 4040 BTU/h Ten
- Three/Ten speeds
- Heat exchanger in copper and aluminium
- Plastic pan for quick removal of condensate
- Wiring of electrical system with plug & play connections
- Simple adjustment of the unit

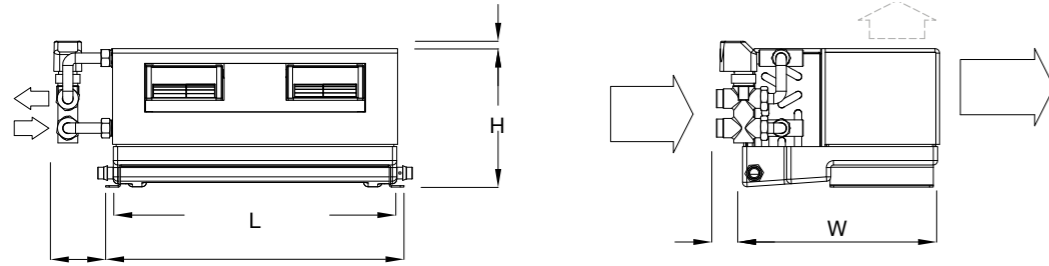
ACCESSORIES

- Three-way valve
- Stainless steel drip pan for condensate removal.
- Antivibration mounts that reduce vibrations and noise
- Thermal probe

Technical specifications of the ALU series: MINI and COMPACT

MODEL	MINI	COMPACT
Max yield (Kcal/h)	710	1080
Max yield (BTU)	2840	4320
1Ph Power supply (V)	230	230
Max absorption of fan 50 Hz (A)	0,96	0,96
Water flow rate (l/s)	0,05	0,09
Air flow rate (m3/h)	130	230
Lenght (mm)	480	580
Width (mm)	300	330
Height (mm)	200	200
Water connection (in/mm)	½ / 16	½ / 16
Min size of delivery grille (dm 2)	1,8	3,2
Min size of return grille (dm 2)	1,8	3,2
Weight (kg)	6	7

- The size and weight data of the terminal units are not inclusive of the valve and stainless steel drip pan
- (*) Hose connector Ø 6 mm – 3/4 " gas hose



- The data are subject to change
- The images are for illustrative purposes only and may not match the finished product in your possession

• Please contact Condaria for customised products



CONDARIA SERIE ALU (JUNIOR – GIANT4 – GIANT8)

Fan-coil, Fitted and Low Pressure



The air handlers in the ALU series have low pressure fans and cannot be ducted.

Each air handler in the series stands out for its slimline and compact design, which make it perfect for installation in relatively tight spaces.

The air handlers in the ALU series can be mounted vertically or horizontally, at the user's discretion, without the need for making changes on site.

A vertical custom version with filter at the front can be set up to meet special requirements.

Each unit in the series has a plastic pan designed to ensure quick removal of condensate. An additional stainless steel pan can be installed on request.

Each air handler in the series has two pipe fittings.

Each unit can be adjusted in a simple and intuitive way at the display.



Electric heating element



Three-way valve



Corrosion resistant, anti-tilting stainless steel pan for condensate

BENEFITS

- Modern and compact design
- Easy to install
- Silent
- Air conditioning from 5440 to 13600 BTU/h
- Three/Ten speeds
- Heat exchanger in copper and aluminium
- Plastic pan for quick removal of condensate
- Wiring of electrical system with plug & play connections
- Simple adjustment of the unit

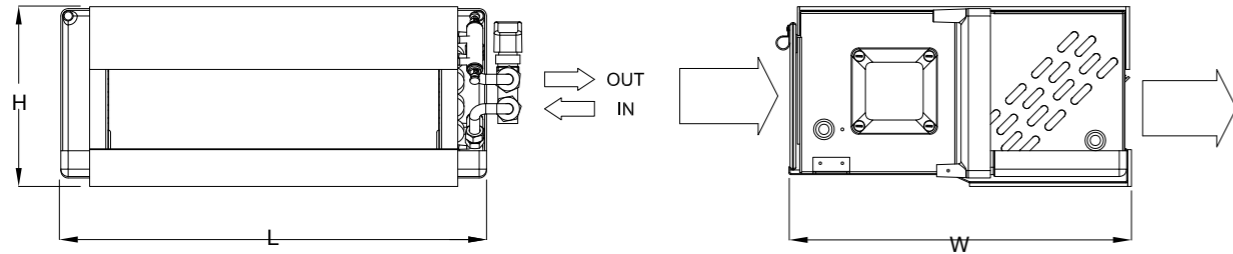
ACCESSORIES

- Three-way valve
- Electric heating element
- Stainless steel drip pan for condensate removal
- Antivibration mounts that reduce vibrations and noise
- Thermal probe

Technical specifications of the ALU series

MODEL	JUNIOR	GIANT 4	GIANT 8
Max yield (Kcal/h)	1470	2330	3700
Max yield (BTU)	5880	9320	14800
TPh Power supply (V)	230	230	230
Max absorption of fan 50 Hz (A)	0,31	0,33	0,66
Max absorption of fan 60 Hz (A)	0,36	0,37	0,74
Optional electric heating element (W)	800	1250	1500
Water flow rate (l/s)	0,12	0,18	0,30
Air flow rate (m3/h)	300	450	770
Lenght (mm)	580	630	850
Width (mm)	410	465	465
Height (mm)	205	245	245
Water connection (in/mm)	½ / 16	½ / 16	½ / 16
Min size of delivery grille (dm 2)	4,2	6,3	10,7
Min size of return grille (dm 2)	4,2	6,3	10,7
Weight (kg)	10,5	13,0	17,0

- The size and weight data of the terminal units are not inclusive of the valve and stainless steel drip pan
- (*) Hose connector Ø 6 mm – 3/4" gas hose



- The data are subject to change
- The images are for illustrative purposes only and may not match the finished product in your possession

Condaria 87 - Via Vesuvio 18 - 20834 Nova Milanese MB (Italy)
Tel +39 036244182 Tel +39 036236459 Fax +39 0362452226



CONDARIA AP SERIES

High prevalence fan-coil channel



Each air handler in the AP series has a ducted high pressure fan with ten speed settings. The fan has a twin screw (except in the case of the APM and AP12) for easy orientation.

Each unit in the series has a plastic pan designed to ensure quick removal of condensate. An additional stainless steel pan can be installed on request.

Each air handler in the series has two pipe fittings. The AP5 and AP8 are available in a "slim" version which is particularly compact.

Each unit can be adjusted in a simple and intuitive way at the display.



Electric heating element and three-way valve.



The fan has a twin screw for turning it in the required direction and adjusting the flow of air.



Corrosion resistant, anti-tilting stainless steel drip pan for condensate

BENEFITS

- Easy to install
- Silent
- Three/Ten speeds
- Air conditioning system from 3000 to 22000 BTU/h
- Adjustable fan (except APM e AP12)
- Plastic pan for quick removal of condensate.
- Heat exchanger in copper and aluminium
- Wiring of electrical system with plug & play connections
- Simple adjustment of the unit

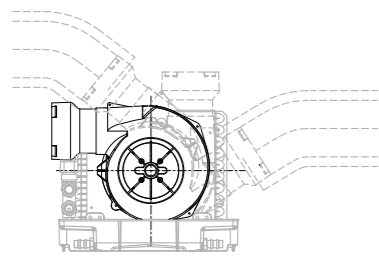
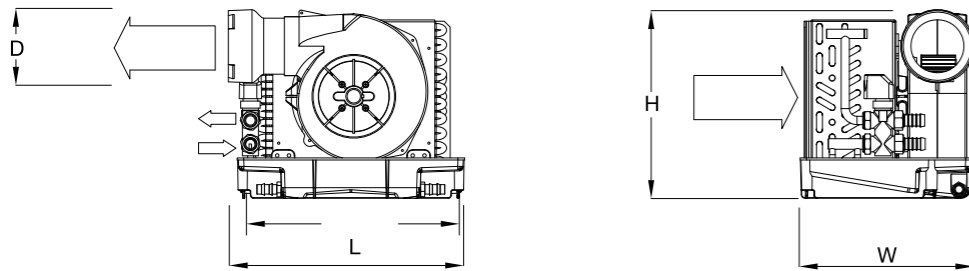
ACCESSORIES

- Three-way valve
- Electric heating element
- Stainless steel drip pan for condensate removal
- Antivibration mounts that reduce vibrations and noise
- Safety probe

Technical specifications of the AP series

MODEL	APM	AP1	AP3	AP5	AP5 SLIM	AP8	AP8 SLIM	AP10	AP12
Max yield (Kcal/h)	850	1120	1550	2300	2300	3120	3120	4000	6000
Max yield (BTU/h)	3400	4480	6200	9200	9200	12480	12480	16000	24000
1Ph Power supply (V)	230	230	230	230	230	230	230	230	230
Max absorption of fan 50 Hz (A)	0,25	0,46	0,46	0,60	0,60	0,80	0,80	0,80	1,25
Max absorption of fan 60 Hz (A)	0,29	0,51	0,51	0,68	0,68	0,88	0,88	0,88	1,55
Optional electric heating element (W)	400	400	800	800	800	1000	1000	1500	1500
Water flow rate (l/s)	0,06	0,11	0,14	0,19	0,19	0,20	0,20	0,31	0,41
Air flow rate (m3/h)	160	230	330	470	470	600	600	680	950
Length (mm)	395	386	386	386	451	415	451	515	515
Width (mm)	240	292	292	292	292	330	292	330	330
Height (mm)	205	300	320	357	320	370	357	380	420
Water connection (in/mm)	½ / 16	½ / 16	½ / 16	½ / 16	½ / 16	½ / 16	½ / 16	½ / 16	½ / 16
Main duct (in/mm)	4 / 100	4 / 100	5 / 125	5 / 125	5 / 125	6 / 150	5 / 125	7 / 180	8 / 200
Min size of delivery grille (dm 2)	2,8	3,5	4,6	6,5	6,5	8,3	8,3	9,4	13,2
Min size of return grille (dm 2)	2,8	3,5	4,6	6,5	6,5	8,3	8,3	9,4	13,2
Weight (kg)	5,5	6,5	7,5	8	9	13	11	14	15,5

- The size and weight data of the terminal units are not inclusive of the valve and stainless steel drip pan
- (*) Hose connector Ø 6 mm – 3/4" gas hose



- The data are subject to change
- The images are for illustrative purposes only and may not match the finished product in your possession

• Please contact Condaria for customised products

Condaria 87 - Via Vesuvio 18 - 20834 Nova Milanese MB (Italy)
Tel +39 036244182 Tel +39 036236459 Fax +39 0362452226



CONDARIA AP SERIES

High prevalence fan-coil channel



The TWIN series, comprising the models TWIN12 and TWIN18, uses high pressure centrifugal fans and guarantees better distribution of air.

Each air handler in the TWIN series has two ductable high pressure fans with ten speed settings.

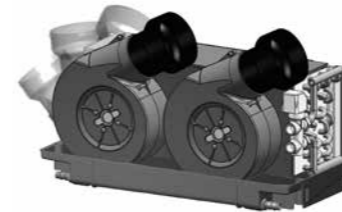
Each fan has two bolts for easy rotation and orientation. Each unit in the series has a plastic pan designed to ensure quick removal of condensate. An additional stainless steel pan can be installed on request.

Each air handler in the series has two pipe fittings.

Each unit can be adjusted in a simple and intuitive way at the display.



Electric heating element and three-way valve



The fans can be turned easily in the required direction to adjust the flow of air



Corrosion resistant, anti-tilting stainless steel pan for condensate

BENEFITS

- Easy to install
- Silent
- Twin high pressure centrifugal fan
- Air conditioning systems of 12,000 and 18,000 BTU/h
- Three/Ten speeds
- Heat exchanger in copper and aluminium
- The fans have a twin screw for turning them in the required direction and adjusting the flow of air.
- Wiring of electrical system with plug & play connections

ACCESSORIES

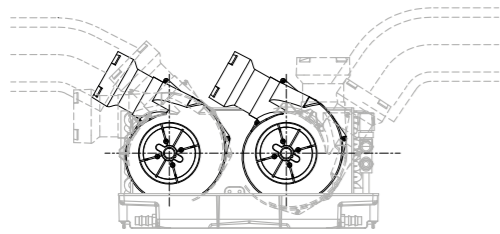
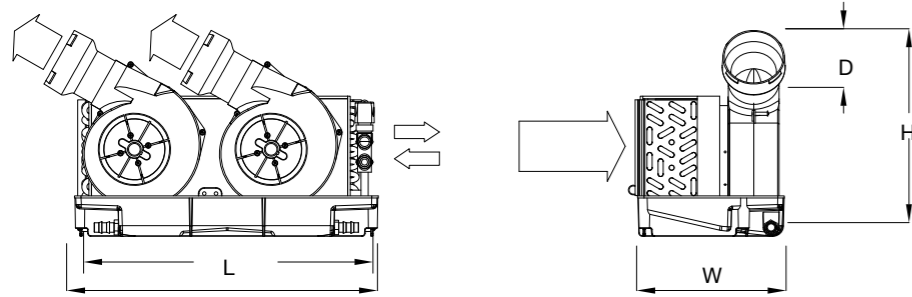
- Three-way valve
- Electric heating element
- Stainless steel drip pan for condensate removal.
- Antivibration mounts that reduce vibrations and noise
- Thermal probe



Technical specifications of the AP series

MODEL	TWIN 12	TWIN 18
Max yield (Kcal/h)	3000	4500
Max yield (BTU)	12000	18000
1Ph Power supply (V)	230	230
Max absorption of fan 50 Hz (A)	0,92	1,25
Max absorption of fan 60 Hz (A)	1,02	1,55
Optional electric heating element (W)	1500	1500
Water flow rate (l/s)	0,21	0,31
Air flow rate (m3/h)	600	950
Lenght (mm)	620	620
Width (mm)	290	290
Height (mm)	350	380
Water connection (in/mm)	½ / 16	½ / 16
Main duct (in/mm)	2x4 / 2x100	2x5 / 2x125
Min size of delivery grille (dm 2)	8,3	11,1
Min size of return grille (dm 2)	8,3	11,1
Weight (kg)	13,5	14,5

- The size and weight data of the terminal units are not inclusive of the valve and stainless steel drip pan
- (*) Hose connector Ø 6 mm – 3/4" gas hose



- The data are subject to change
- The images are for illustrative purposes only and may not match the finished product in your possession

• Please contact Condaria for customised products

Condaria 87 - Via Vesuvio 18 - 20834 Nova Milanese MB (Italy)
Tel +39 036244182 Tel +39 036236459 Fax +39 0362452226



CONDARIA DEFROSTERS



The defroster was designed to eliminate condensate and ice on the glass surfaces.

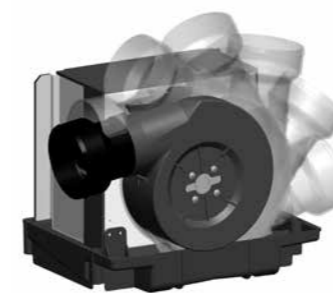
Due to its compact size it can be installed in any position.

The heating capacity varies according to model.

Each model has a high pressure centrifugal fan and electric heating element.

The defrosters are made with materials highly resistant to corrosion.

An electronic board controls adjustment of the rotational speed of the unit and the supply of heat, making for a particularly functional and versatile system.



The fan has a twin screw for turning it in the required direction and adjusting the flow of air



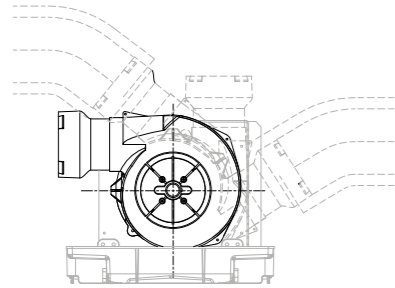
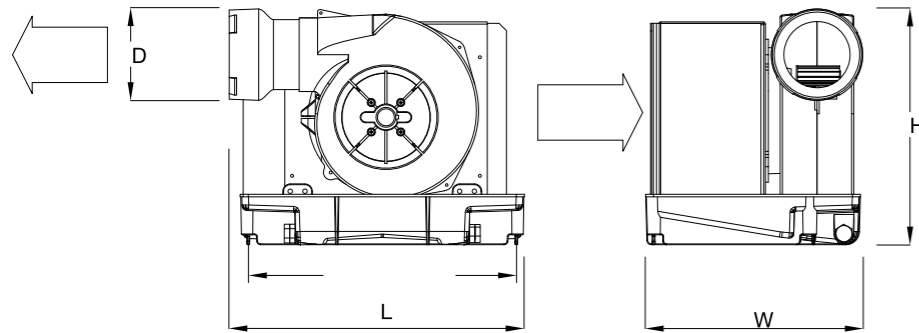
It has a TBS7 display

BENEFITS

- Functional
- Versatile
- Easy to install
- Easy maintenance
- High pressure centrifugal fan
- Electric heating element
- Materials resistant to corrosion
- Easy temperature and speed adjustment
- Double thermal security
- Mechanical safety security

Technical specifications of the AP series

MODEL		APEH 1.0	APEH 1.5	APEH 2.0	APEH 3.0	APEH 4.0
Power (kW)		1.0	1.5	2.0	3.0	4.0
Absorption max (A)	230/1/50	5,10	7,40	9,60	14,40	19,00
	230/1/60	5,18	7,48	9,68	14,48	19,08
Motor (kW)		0,13	0,13	0,13	0,16	0,16
Motor (A)		0,60	0,60	0,60	0,60	0,60
Lenght (mm)		390	390	390	420	420
Width (mm)		290	290	290	330	330
Height (mm)		410	410	410	385	385
Weight (kg)		9,50	9,50	9,50	13,00	13,00



- The data are subject to change
- The images are for illustrative purposes only and may not match the finished product in your possession

• Please contact Condaria for customised products

Condaria 87 - Via Vesuvio 18 - 20834 Nova Milanese MB (Italy)
Tel +39 036244182 Tel +39 036236459 Fax +39 0362452226



DIRECT COUPLING CONDARIA AHU WITH RADIAL FAN

Air treatment unit



The Condaria air handling units (AHUs) are available in three standard versions: with horizontal orientation to the left, single-phase and three-phase, covering an extensive range of air flow rates. The custom versions have horizontal orientation to the right, or vertical orientation.

The frame is in extruded aluminum and the double sheet metal panel, with rock wool insulation, gives strength to the machine.

Direct coupling, belt drive and radial fans are available. The units are designed to filter air and reduce its degree of humidity and salinity. The air is filtered with the T705, a synthetic fibre filter mat available in a range of thicknesses and sizes with an excellent dust rating (G2 – G4) and constancy of performance that ensures excellent cleaning of the flow of air into the premises.

The structure of the filtering section makes it easy to replace and clean.

The entire structure is insulated to guarantee thermal efficiency and lower noise emissions.

The display permits control, management and adjustment of the unit. The air handling units are generally used in combination with air exhaust boxes.

BENEFITS

- The entire structure is insulated to guarantee thermal efficiency and lower noise emissions
- Light and strong frame in extruded aluminium
- Filtering section designed to ensure easy removal, cleaning and replacement
- Electric motors that can be inverter-assisted for optimal performance and quieter operation with low thermal load
- Centrifugal fans with single or double inlet
- Fan and motors with single base frame and isolated from the structure by antivibration mounts and flexible joint on the outlet

ACCESSORIES

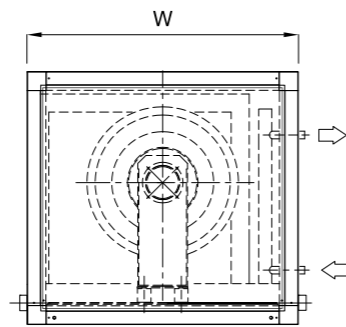
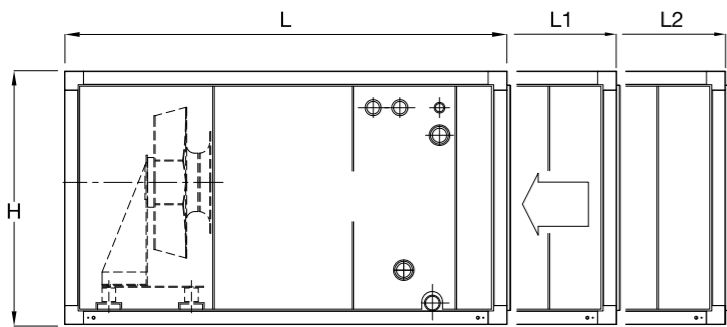
- Inverter control in the ventilation control panel, to limit the inrush current of the motor and for adjusting the speed
- Fully automatic adjustment
- Three-way ON-OFF water control valve kit included with the ventilation control panel
- Three-way modulating water control valve kit included with the ventilation control panel
- Preheating coil
- Post-heating coil
- Filter (EMC) for eliminating (high frequency) conducted emissions
- Filter (THD) for eliminating (low frequency) harmonics

Technical specifications of the air handling units with radial fan

MODEL	Capacity (frig/h)	Capacity (BTU/h)	Flow rate (mc/h)	Pressure (Pa)	L-L1-L2 (mm)	W (mm)	H (mm)	Weight (kg)	Preheat. (kW)	Postheat. (kW)	Power supply	Motor power (W)	Motor absorption (A)
DRAPS-M	400	6250	25000	400	600	400	460	35	-	-	230/1/50	135	0,60
DRAPS-M-H					750				1,50	195	0,80		
DRAPS-M-2H					900				2,25	1,50	195	0,80	
DRAPS-M	600	11500	46000	600	650	500	460	39	-	-	230/1/50	205	0,80
DRAPS-M-H					800				2,4	271	1,10		
DRAPS-M-2H					950				3,60	2,4	271	1,10	
DRAPS-M	1000	22900	91600	1000	650	600	560	42	-	-	230/1/50	303	1,30
DRAPS-M-H					800				4,5	395	1,70		
DRAPS-M-2H					950				6,75	4,5	395	1,70	

Technical specifications of the air handling units with radial fan

MODEL	Capacity (frig/h)	Capacity (BTU/h)	Flow rate (mc/h)	Pressure (Pa)	L-L1-L2 (mm)	W (mm)	H (mm)	Weight (kg)	Preheat. (kW)	Postheat. (kW)	Power supply	Motor power (W)	Motor absorption (A)
DRAPS-T	400	6250	25000	400	600	400	460	35	-	-	230/3/50	154	0,30
DRAPS-T-H					750				1,50	213	0,30		
DRAPS-T-2H					900				2,25	1,50	213	0,30	
DRAPS-T	600	11500	46000	600	650	500	460	39	-	-	230/3/50	200	0,60
DRAPS-T-H					800				2,4	272	0,70		
DRAPS-T-2H					950				3,60	2,4	272	0,70	
DRAPS-T	1000	22900	91600	1000	650	600	560	42	-	-	230/3/50	325	0,50
DRAPS-T-H					800				4,5	440	0,70		
DRAPS-T-2H					950				6,75	4,5	440	0,70	



- The data are subject to change
- The images are for illustrative purposes only and may not match the finished product in your possession

Please contact Condaria for customised products

Condaria 87 - Via Vesuvio 18 - 20834 Nova Milanese MB (Italy)
Tel +39 036244182 Tel +39 036236459 Fax +39 0362452226



CONDARIA AHU WITH BELT DRIVE

Air handlers



BENEFITS

- The entire structure is insulated to guarantee thermal efficiency and lower noise emissions
- Light and strong frame in extruded aluminium
- Filtering section designed to ensure easy removal, cleaning and replacement
- Electric motors that can be
 - inverter-assisted for optimal performance and quieter operation with low thermal load
- Centrifugal fans with single or double inlet
- Fan and motors with single base frame and isolated from the structure by antivibration mounts and flexible joint on the outlet

ACCESSORIES

- Inverter control in the ventilation control panel, to limit the inrush current of the motor and for adjusting the speed
- Fully automatic adjustment
- Three-way ON-OFF water control valve kit included with the ventilation control panel
- Three-way modulating water control valve kit included with the ventilation control panel
- Preheating coil
- Post-heating coil
- Filter (EMC) for eliminating (high frequency) conducted emissions
- Filter (THD) for eliminating (low frequency) harmonics

The Condaria air handling units (AHUs) are available in three standard versions: with horizontal orientation to the left, single-phase and three-phase, covering an extensive range of air flow rates. The custom versions have horizontal orientation to the right, or vertical orientation.

The frame is in extruded aluminum and the double sheet metal panel, with rock wool insulation, gives strength to the machine.

Direct coupling, belt drive and radial fans are available.

The units are designed to filter air and reduce its degree of humidity and salinity. The air is filtered with the T705, a synthetic fibre filter mat available in a range of thicknesses and sizes with an excellent dust rating (G2 - G4) and constancy of performance that ensures excellent cleaning of the flow of air into the premises.

The structure of the filtering section makes it easy to replace and clean.

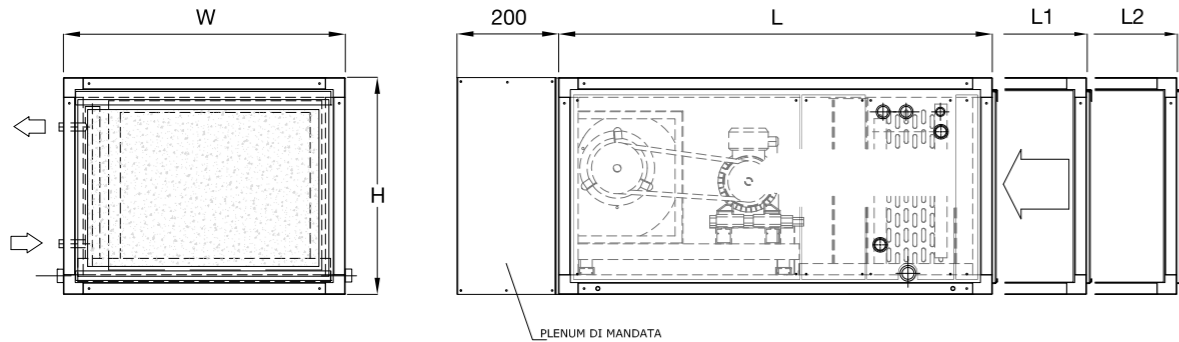
The entire structure is insulated to guarantee thermal efficiency and lower noise emissions.

The display permits control, management and adjustment of the unit.

The air handling units are generally used in combination with air exhaust boxes.

Technical specification of the air exhaust unit with belt drive

MODEL	Capacity (frig/h)	Capacity (BTU/h)	Flow rate (mc/h)	Pressure (Pa)	L-L1-L2 (mm)	W (mm)	H (mm)	Weight (kg)	Preheat. (kW)	Postheat. (kW)	Power supply	Motor power (W)	Motor absorption (A)
TRSTD					950				-	-			
TRSTD -H	850	16000	64000	850	1100	600	550	55	-	-	230/3/50	550	2,70
TRSTD -2H					1200				4,50	3,00	400/3/50		1,50
TRSTD					1000				-	-			
TRSTD -H	1000	22950	91800	1000	1150	600	550	58	-	4,50	230/3/50	550	2,70
TRSTD -2H					1250				6,70	4,50	400/3/50		1,56
TRSTD					1000				-	-			
TRSTD -H	1400	28800	115200	1000	1150	700	550	65	-	6,75	230/3/50	750	3,50
TRSTD -2H					1250				9,00	6,75	400/3/50		2,02
TRSTD					1000				-	-			
TRSTD -H	1700	34900	139600	1700	1150	700	700	67	-	6,75	230/3/50	1100	4,80
TRSTD -2H					1250				9,00	6,75	400/3/50-60		2,77
TRSTD					1100				-	-			
TRSTD -H	2000	41900	167600	2000	1200	800	700	70	-	6,70	230/3/50	1500	6,20
TRSTD -2H					1300				10,80	6,70	400/3/50		3,70
TRSTD					1250				-	-			
TRSTD -H	2600	54300	217200	2600	1400	950	700	78	-	10,80	230/3/50	2200	9,40
TRSTD -2H					1550				14,40	10,80	400/3/50		5,44



- The data are subject to change
- The images are for illustrative purposes only and may not match the finished product in your possession

• Please contact Condaria for customised products

Condaria 87 - Via Vesuvio 18 - 20834 Nova Milanese MB (Italy)
Tel +39 036244182 Tel +39 036236459 Fax +39 0362452226



DIRECT COUPLING CONDARIA AHU

Air handlers



BENEFITS

- The entire structure is insulated to guarantee thermal efficiency and lower noise emissions
- Light and strong frame in extruded aluminium
- Filtering section designed to ensure easy removal, cleaning and replacement
- Electric motors that can be
 - inverter-assisted for optimal performance and quieter operation with low thermal load
- Centrifugal fans with single or double inlet
- Fan and motors with single base frame and isolated from the structure by antivibration mounts and flexible joint on the outlet

ACCESSORIES

- Inverter control in the ventilation control panel, to limit the inrush current of the motor and for adjusting the speed
- Fully automatic adjustment
- Three-way ON-OFF water control valve kit included with the ventilation control panel
- Three-way modulating water control valve kit included with the ventilation control panel
- Preheating coil
- Post-heating coil
- Filter (EMC) for eliminating (high frequency) conducted emissions
- Filter (THD) for eliminating (low frequency) harmonics

The Condaria air handling units (AHUs) are available in three standard versions: with horizontal orientation to the left, single-phase and three-phase, covering an extensive range of air flow rates. The custom versions have horizontal orientation to the right, or vertical orientation.

The frame is in extruded aluminum and the double sheet metal panel, with rock wool insulation, gives strength to the machine.

Direct coupling, belt drive and radial fans are available. The units are designed to filter air and reduce its degree of humidity and salinity. The air is filtered with the T705, a synthetic fibre filter mat available in a range of thicknesses and sizes with an excellent dust rating (G2 - G4) and constancy of performance that ensures excellent cleaning of the flow of air into the premises.

The structure of the filtering section makes it easy to replace and clean.

The entire structure is insulated to guarantee thermal efficiency and lower noise emissions.

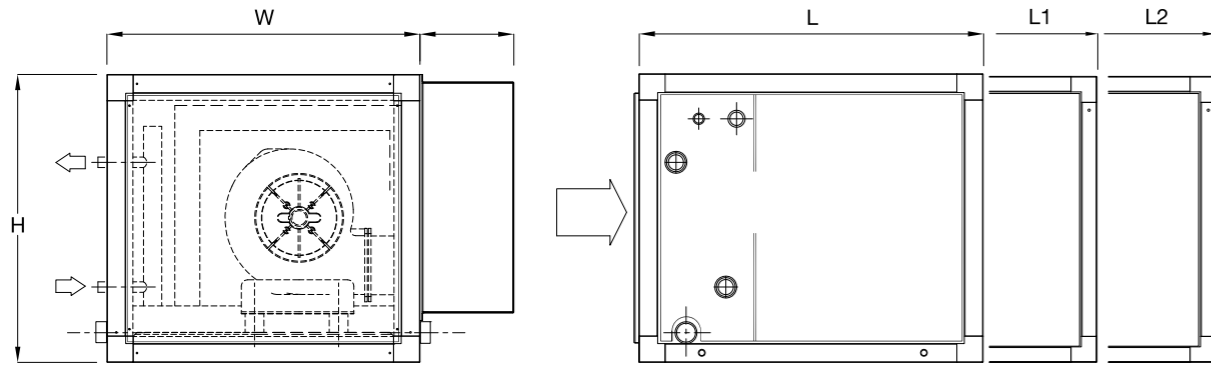
The display permits control, management and adjustment of the unit.

The air handling units are generally used in combination with air exhaust boxes.

Technical specifications of the air exhaust box (single-phase/three-phase/with direct coupling)

MODEL	Capacity (frig/h)	Capacity (BTU/h)	Flow rate (mc/h)	Pressure (Pa)	L-L1-L2 (mm)	W (mm)	H (mm)	Weight (kg)	Preheat. (kW)	Postheat. (kW)	Power supply	Motor power (W)	Motor absorption (A)
DRSTD-M	400	6250	25000	400	400	400	460	34	-	-	230/1/50	240	1,05
DRSTD-M-H					550				-	1,50	230/1/60	280	1,23
DRSTD-M-2H					630				2,25	1,50	-	-	-
DRSTD-M	600	11500	46000	600	400	500	460	38	-	-	230/1/50	400	1,75
DRSTD-M-H					550				-	2,40	230/1/60	415	1,82
DRSTD-M-2H					630				3,60	2,40	-	-	-

MODEL	Capacity (frig/h)	Capacity (BTU/h)	Flow rate (mc/h)	Pressure (Pa)	L-L1-L2 (mm)	W (mm)	H (mm)	Weight (kg)	Preheat. (kW)	Postheat. (kW)	Power supply	Motor power (W)	Motor absorption (A)
DRSTD-T	400	6250	25000	400	400	400	460	34	-	-	230/3/50	305	0,83
DRSTD-T-H					550				-	1,50	230/3/60	335	0,90
DRSTD-T-2H					630				2,25	1,50	400/3/50	305	0,83
											400/3/60	335	0,90
DRSTD-T	600	11500	46000	600	400	500	460	38	-	-	230/3/50	415	0,66
DRSTD-T-H					550				-	2,40	230/3/60	415	1,30
DRSTD-T-2H					630				3,60	2,40	400/3/50	415	0,66
											400/3/60	415v	1,30



- The data are subject to change
- The images are for illustrative purposes only and may not match the finished product in your possession

• Please contact Condaria for customised products

Condaria 87 - Via Vesuvio 18 - 20834 Nova Milanese MB (Italy)
Tel +39 036244182 Tel +39 036236459 Fax +39 0362452226



CONDARIA AIR EXHAUST BOXES – ON LINE

Direct coupling fan



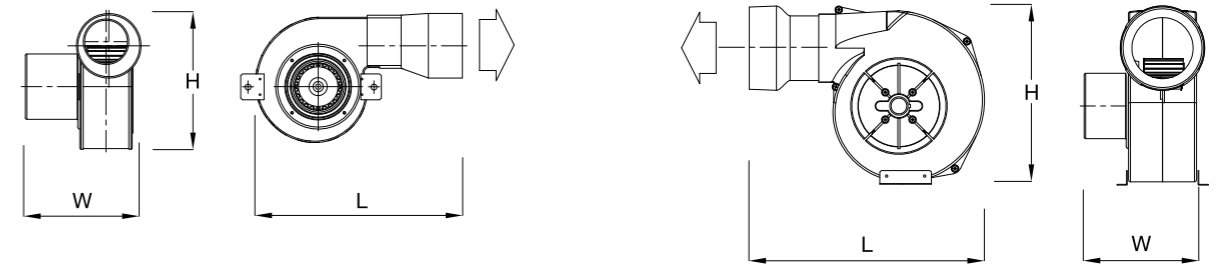
The air exhaust boxes exchange the air and are available in three standard versions: with horizontal orientation to the left, single-phase and three-phase, covering an extensive range of air flow rates.

The frame and panels are made with extruded aluminium and confer strength to the machine. Each air exhaust box uses an aerodynamic fan that guarantees high efficiency and high pressure while reducing the level of noise, and the entire structure is insulated to guarantee thermal efficiency and lower noise emissions.

BENEFITS

- Easy to install
- Easy maintenance
- Materials resistant to corrosion

MODEL	Capacity (mc/h)	Pressure (Pa)	L (mm)	W (mm)	H (mm)	Connection shooting (mm)	Weight (kg)	Power supply	Motor power (W)	Motor absorption (A)	
ELI-LM-M	125B	80	270	245	215	283	98	3	230/1/50	0,07	0,3
ELI-LM-M	160B	130	350	333	230	372	158	5	230/1/50	0,11	0,5
ELI-LM-M	200B	200	440	335	230	378	198	5	230/1/50	0,15	0,7
ELI-LM-M	315B	400	400	404	305	447	313	9	230/1/50	0,3	1,3



- The data are subject to change
- The images are for illustrative purposes only and may not match the finished product in your possession

• Please contact Condaria for customised products



CONDARIA AIR EXHAUST BOXES – ON LINE

Axial Fan



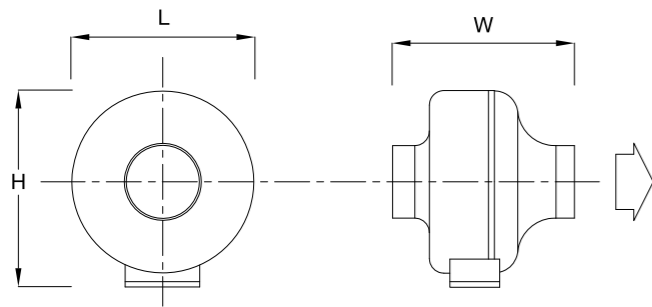
The air exhaust boxes exchange the air and are available in three standard versions: with horizontal orientation to the left, single-phase and three-phase, covering an extensive range of air flow rates.

The frame and panels are made with extruded aluminium and confer strength to the machine. Each air exhaust box uses an aerodynamic fan that guarantees high efficiency and high pressure while reducing the level of noise, and the entire structure is insulated to guarantee thermal efficiency and lower noise emissions.

BENEFITS

- Easy to install
- Easy maintenance
- Materials resistant to corrosion

MODEL	Capacity (mc/h)	Pressure (Pa)	L (mm)	W (mm)	H (mm)	Connection shooting (mm)	Weight (kg)	Power supply	Power (W)	Motor absorption (A)	
ELI-LM-M	125B	80	270	245	215	283	98	3	230/1/50	0,07	0,3
ELI-LM-M	160B	130	350	333	230	372	158	5	230/1/50	0,11	0,5
ELI-LM-M	200B	200	440	335	230	378	198	5	230/1/50	0,15	0,7
ELI-LM-M	315B	400	400	404	305	447	313	9	230/1/50	0,3	1,3



- The data are subject to change
- The images are for illustrative purposes only and may not match the finished product in your possession

• Please contact Condaria for customised products



CONDARIA AIR EXHAUST BOXES – SINGLE PHASE BOXES

Direct coupling fan



The air exhaust boxes exchange the air and are available in three standard versions: with horizontal orientation to the left, single-phase and three-phase, covering an extensive range of air flow rates.

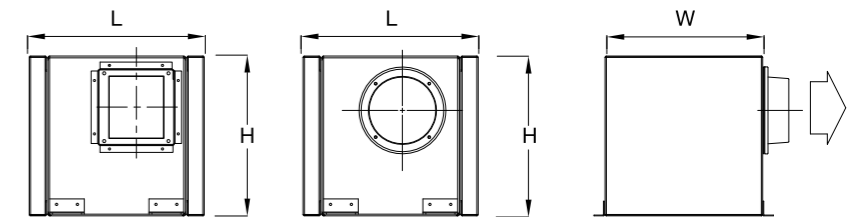
The frame are made with extruded aluminium confer strength to the machine.

Each air exhaust box uses an aerodynamic fan that guarantees high efficiency and high pressure while reducing the level of noise, and the entire structure is insulated to guarantee thermal efficiency and lower noise emissions.

BENEFITS

- Easy to install
- Easy maintenance
- Materials resistant to corrosion

MODEL	Capacity (mc/h)	Pressure (Pa)	L (mm)	W (mm)	H (mm)	Connection shooting (mm)	Weight (kg)	Power supply	Motor power (W)	Motor absorption (A)
ECS-DR-M-STD	200	200	180	320	320	Ø100	4	230/1/50 230/1/60	83 100	0,37 0,45
ECS-DR-M-STD	300	300	220	320	320	Ø100	8	230/1/50 230/1/60	105 115	0,46 0,51
ECS-DR-M-APS	300	300	380	320	320	120 x 120	8	230/1/50 230/1/60	160 205	0,70 0,90
ECS-DR-M-STD	500	500	220	320	320	Ø125	8	230/1/50 230/1/60	137 155	0,60 0,68
ECS-DR-M-APS	500	500	380	320	320	120 x 120	8	230/1/50 230/1/60	240 280	1,05 1,23
ECS-DR-M-STD	600	600	140	350	390	130 x 140	12	230/1/50 230/1/60	160 197	0,80 0,88
ECS-DR-M-APS	600	600	490	320	320	130 x 120	12	230/1/50 230/1/60	400 415	1,75 1,82



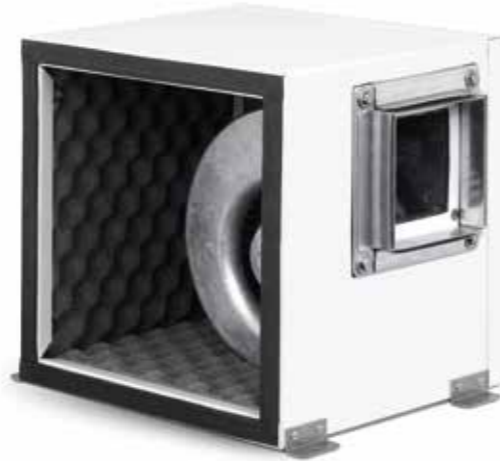
- The data are subject to change
- The images are for illustrative purposes only and may not match the finished product in your possession

• Please contact Condaria for customised products



CONDARIA AIR EXHAUST BOXES – THREE-PHASE BOXES

Single suction direct coupling fan



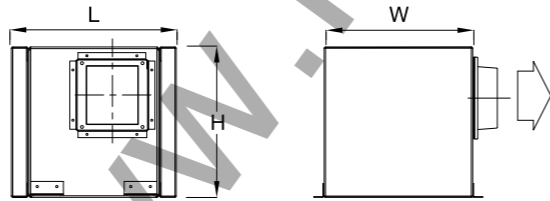
The air exhaust boxes exchange the air and are available in three standard versions: with horizontal orientation to the left, single-phase and three-phase, covering an extensive range of air flow rates.

The frame and panels are made with extruded aluminium and confer strength to the machine. Each air exhaust box uses an aerodynamic fan that guarantees high efficiency and high pressure while reducing the level of noise, and the entire structure is insulated to guarantee thermal efficiency and lower noise emissions.

BENEFITS

- Easy to install
- Easy maintenance
- Materials resistant to corrosion

MODEL	Capacity (mc/h)	Pressure (Pa)	L (mm)	W (mm)	H (mm)	Connection shooting (mm)	Weight (kg)	Power supply	Power (W)	Motor absorption (A)
ECS-DR-T-APS	500	500	320	320	320	120 x 120	8	230/3/50	305	0,83
								230/3/60	335	0,90
								400/3/50	305	0,45
								400/3/60	335	0,52
ECS-DR-T-STD	600	180	320	320	130 x 120	8	230/3/50	175	0,68	
							230/3/60	240	0,74	
							400/3/50	175	0,39	
							400/3/60	240	0,43	
ECS-DR-T-APS	600	550	320	320	130 x 120	10	230/3/50	415	0,66	
							230/3/60	450	0,70	
							400/3/50	415	1,30	
							400/3/60	450	1,15	
ECS-DR-T-STD	800	250	400	380	150 x 150	10	230/3/50	285	1,00	
							230/3/60	360	1,13	
							400/3/50	285	0,58	
							400/3/60	360	0,65	



- The data are subject to change
- The images are for illustrative purposes only and may not match the finished product in your possession

• Please contact Condaria for customised products



CONDARIA AIR EXHAUST BOXES - SINGLE/THREE-PHASE

Single suction radial fan



The air exhaust boxes exchange the air and are available in three standard versions: with horizontal orientation to the left, single-phase and three-phase, covering an extensive range of air flow rates.

The frame and panels are made with extruded aluminium and confer strength to the machine. Each air exhaust box uses an aerodynamic fan that guarantees high efficiency and high pressure while reducing the level of noise, and the entire structure is insulated to guarantee thermal efficiency and lower noise emissions.

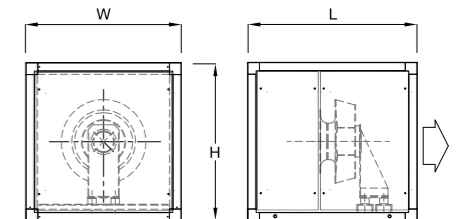
BENEFITS

- Easy to install
- Easy maintenance
- Materials resistant to corrosion

MODEL	Capacity (mc/h)	Pressure (Pa)	L (mm)	W (mm)	H (mm)	Connection shooting (mm)	Weight (kg)	Power supply	Motor power (W)	Motor absorption (A)
ECS-DRAPS-M	400	400	450	450	550	120 x 160	30	230/1/50	135	0,60
								230/1/60	195	0,80
ECS-DRAPS-M	600	480	500	570	460	140 x 220	31	230/1/50	205	0,80
								230/1/60	271	1,10
ECS-DRAPS-M	1000	500	550	600	560	150 x 280	35	230/1/50	303	1,30
								230/1/60	395	1,70

MODEL	Capacity (mc/h)	Pressure (Pa)	L (mm)	W (mm)	H (mm)	Connection shooting (mm)	Weight (kg)	Power supply	Motor power (W)	Motor absorption (A)
ECS-DRAPS-T	400	400	450	450	550	120 x 160	30	230/3/50	154	0,30
								230/3/60	213	0,30
								400/3/50	154	0,30
								400/3/60	213	0,30
ECS-DRAPS-T	600	500	500	570	460	140 x 220	31	230/3/50	200	0,60
								230/3/60	272	0,70
								400/3/50	200	0,60
								400/3/60	272	0,70
ECS-DRAPS-T	1000	500	550	600	560	150 x 280	35	230/3/50	325	0,50
								230/3/60	440	0,70
								400/3/50	325	0,50
								400/3/60	440	0,70

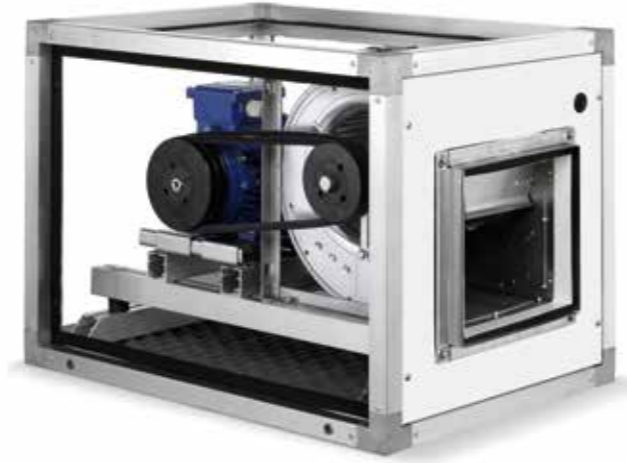
- The data are subject to change
- The images are for illustrative purposes only and may not match the finished product in your possession



• Please contact Condaria for customised products

CONDARIA AIR EXHAUST BOXES – THREE-PHASE BOXES

Radial fan with belt transmission



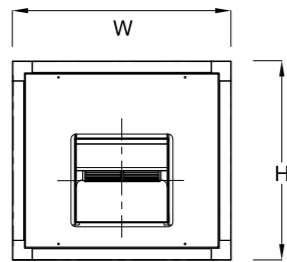
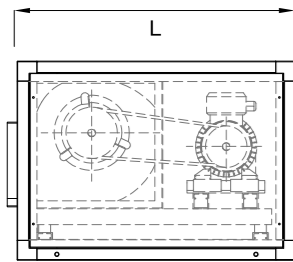
The air exhaust boxes exchange the air and are available in three standard versions: with horizontal orientation to the left, single-phase and three-phase, covering an extensive range of air flow rates.

The frame and panels are made with extruded aluminium and confer strength to the machine. Each air exhaust box uses an aerodynamic fan that guarantees high efficiency and high pressure while reducing the level of noise, and the entire structure is insulated to guarantee thermal efficiency and lower noise emissions.

BENEFITS

- Easy to install
- Easy maintenance
- Materials resistant to corrosion

MODEL	Capacity (mc/h)	Pressure (Pa)	L (mm)	W (mm)	H (mm)	Connection shooting (mm)	Weight (kg)	Power supply	Power (W)	Motor absorption (A)
ECS-TR-T-STD	850	850	170	700	500	215 x 235	13	230/3/50 400/3/50	550 550	2,70 1,56
ECS-TR-T-STD	1000	1000	250	700	500	215 x 235	13	230/3/50 400/3/50	550 550	2,70 1,56
ECS-TR-T-STD	1400	1400	380	700	500	215 x 235	13	230/3/50 400/3/50	750 750	3,50 2,02
ECS-TR-T-STD	1600	1600	130	750	550	260x235	18	230/3/50 400/3/50	1100 1100	4,80 2,77
ECS-TR-T-STD	2000	2000	142	750	550	260x235	18	230/3/50 400/3/50	1500 1500	6,20 3,70
ECS-TR-T-STD	2600	2600	160	750	550	260x235	18	230/3/50 400/3/50	2200 2200	9,40 5,44
ECS-TR-T-STD	3000	3000	450	850	650	260 x 300	20	230/3/50 400/3/50	2200 2200	9,40 5,44



- The data are subject to change
- The images are for illustrative purposes only and may not match the finished product in your possession

• Please contact Condaria for customised products



CONDARIA HUMIDIFIERS



A humidifier is used to maintain the correct level of humidity in air.

This electronic device is available in a broad range of models with different steam production rates. The materials in contact with water are highly resistant to corrosion.



It uses mains water and its software can adapt to the properties of the water



Backlit LCD display with clear indication of the operating status and machine diagnostics

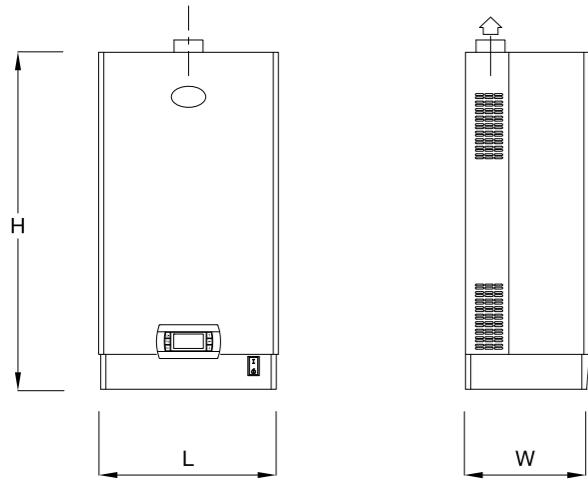
BENEFITS

- Materials highly resistant to corrosion
- Easy to install
- Compact size
- Easy maintenance
- Cylinders with quick power connectors for quick and easy maintenance
- Integrated adjustment with modulating limit probe
- Production of steam with continuous modulation from 20% to full capacity
- Automatic discharge of water after three days of inactivity

- Where the diameter is in mm, a pipe fitting is used; and where the diameter is in inches, a threaded connection ring is used
- The data are subject to change
- The images are for illustrative purposes only and may not match the finished product in your possession
- Please contact Condaria for customised products

Technical specifications of the Humidifiers

MODEL	UE005	UE008	UE010	UE015
Production of steam (kg/h)	5	8	10	15
Power (kW)	3,7	6,0	7,5	11,2
Power supply (V)	230/3	230/3	230/3	230/3
Absorption (A)	9,4	15,1	18,8	28,2
Power supply (V)	400/3	400/3	400/3	400/3
Absorption (A)	5,4	8,7	10,8	16,2
Length (mm)	365	365	365	365
Width (mm)	275	275	275	275
Height (mm)	620	620	712	712
Weight (kg) empty	13,5	13,5	17	17
Weight (kg) installed	19,0	19,0	27	27
Weight (kg) packed	16,0	16,0	20	20



- The data are subject to change
- The images are for illustrative purposes only and may not match the finished product in your possession

• Please contact Condaria for customised products

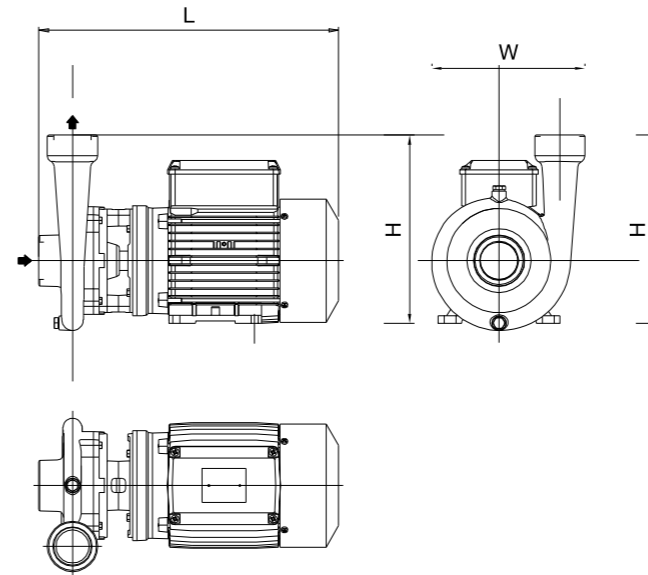
Condaria 87 - Via Vesuvio 18 - 20834 Nova Milanese MB (Italy)
Tel +39 036244182 Tel +39 036236459 Fax +39 0362452226



CONDARIA SALT WATER AND CIRCULATION PUMPS



The salt water pump and circulation pump are made with materials highly resistant to corrosion and guarantee the circulation of water in the unit.



BENEFITS

- Highly resistant to corrosion
- Self-contained electric centrifugal pumps with direct motor-pump coupling and single shaft
- For clean liquids without abrasive parts that can corrode the materials of the pump
- For the supply of water
- For heating, cooling and circulation systems
- Cast iron / bronze



Technical specifications of the Circulation Pump

MODEL	kW	VOLTAGE (Hz)	LENGTH (mm)	WIDTH (mm)	HEIGHT (mm)	WEIGHT (kg)	IN CONNECTION (")	OUT CONNECTION (")
NM40/12AE	1,5	230 - 400/3/50	450	210	252	32	2½	1½
NMM25/12AE	0,75	230/1/50	313	170	230	13,3	1½	1
NM25/12AE	0,75	230 - 400/3/50	313	170	230	13,3	1½	1
NM11/BE	1,5	230 - 400/3/50	400	210	282	24,1	2	1 ¼
NM10/AE-R	1,1	230 - 400/3/50	382	190	250	19,3	2	1 ¼
CM22/E	0,55	230/1/50	263	171	190	8,3	1	1
CM20/E	0,37	230/1/50	263	171	190	6,8	1	1
C22/E	0,55	230 - 400/3/50	263	171	190	8,3	1	1
AC 5	-	230/1/50/60	252	144	154	3,7	1	½
C22/1E	0,45	230 - 400/3/50	263	171	190	8,3	1	1

Technical specifications of the Salt Water Pump

MODEL	kW	VOLTAGE (Hz)	LENGTH (mm)	WIDTH (mm)	HEIGHT (mm)	WEIGHT (kg)	IN CONNECTION (")	OUT CONNECTION (")
AC 5	-	230/1/50	252	144	154	3,7	1	½
BCM 20E	0,37	230/1/50	263	149	158	6,8	1	1
BCM 22/1E	0,45	230/1/50	263	171	190	8,3	1	1
BCM 22E	0,55	230/1/50	263	171	190	8,3	1	1
BNMM 25/12BE	0,55	230/1/50	313	170	230	13,5	1½	1
BCM 41/1E	0,75	230/1/50	380	193	240	17,9	1½	1½
BC 20E/R	0,37	230 - 400/3/50	303	154	161	9,1	1	1
BC 22/1E	0,45	230 - 400/3/50	303	174	181	9,3	1	1
BC 22E	0,55	230 - 400/3/50	303	174	181	9,6	1	1
BC 41/1E	0,75	230 - 400/3/50	380	193	240	16,3	1½	1½
BC 41E	1,1	230 - 400/3/50	380	193	240	19,2	1½	1½

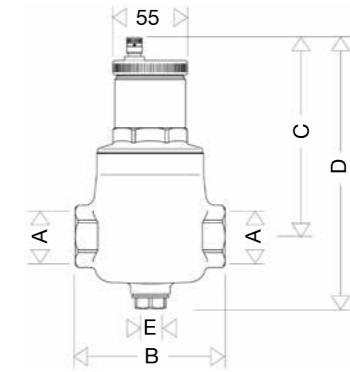
- The data are subject to change
- The images are for illustrative purposes only and may not match the finished product in your possession

• Please contact Condaria for customised products

Condaria 87 - Via Vesuvio 18 - 20834 Nova Milanese MB (Italy)
Tel +39 036244182 Tel +39 036236459 Fax +39 0362452226



DEAERATOR



To continuously eliminate the air contained in the hydraulic circuits of the plants of air conditioning, the deaerator is used.

The discharge capacity of this device is very high.

In automatic mode, in the face of very low pressure drops, the deaerator is able to eliminate all the air present in the circuits, up to microbubble level.

The circulation of completely disarranged water, allows the plants to work in optimal conditions without problems of noise, corrosion, localized overheating and mechanical damage.

MODEL	Measure	A (mm)	B (mm)	C (mm)	D (mm)	E (mm)	MASS (Kg)
6320835	20 Ø	3/4"	110	146	205	1/2"	1,7
6320815	25 Ø	1"	110	146	205	1/2"	1,7
6320790	32 Ø	1 1/4"	124	166	225	1/2"	2,2
63212340	40 Ø	1 1/2"	124	166	225	1/2"	2,2
6321330	50 Ø	2"	130	160	225	1/2"	2,5

BENEFITS

- Compact
- Powerful
- Functional

• Please contact Condaria for customised products



EXPANSION VESSELS



To solve the increase in the volume of water caused by the increase in the temperature to which it is subjected, the expansion vessel is used, so that the variations in water pressure in the heating circuit are contained.

MODEL	CAPACITY (lt)	PRESSURE MAX (bar)	JUNCTION (inch)
6321160	2	10	1/2"
6321180	5	8	3/4"
6321170	8	8	3/4"
6321140	12	8	3/4"
6321150	24	8	3/4"

BENEFITS

- Stainless steel flange
- Resistant
- Compact

• Please contact Condaria for customised products



CONDARIA GRILLES



Condaria offers an extensive range of grilles in various shapes and sizes, colours and materials to meet all requirements.

CODE	LENGTH (mm)	WIDTH (mm)	COLOR
CA/VHT123	300	75	TEAK
CA/VHT153	375	75	TEAK
CA/VHT184	450	100	TEAK
CA/VHT254	625	100	TEAK
CA/VHT44	100	100	TEAK
CA/VHT64	150	100	TEAK
CA/VHC123	300	75	CILIEGIO
CA/VHC153	375	75	CILIEGIO
CA/VHC174	425	100	CILIEGIO
CA/VHC184	450	100	CILIEGIO
CA/VHC254	625	100	CILIEGIO
CA/VHC44	100	100	CILIEGIO
CA/VHC64	150	100	CILIEGIO
CA/RAT88	200	200	TEAK
CA/RAT108	250	200	TEAK
CA/RAC88	200	200	CILIEGIO
CA/RAC108	250	200	CILIEGIO

CODE	LENGTH (mm)	WIDTH (mm)	COLOR
6140420	278	51	ARGENTO
6140410	357	64	ARGENTO
6140390	425	77	ARGENTO
6140400	627	77	ARGENTO
6140350	100	100	ARGENTO
6140360	150	100	ARGENTO
6140210	200	200	ARGENTO
6140380	250	200	ARGENTO

Also available in the colours: light bronze, gold, black, beige and silver for the code contact Condaria

• Please contact Condaria for customised products



CONDARIA SPLITTERS



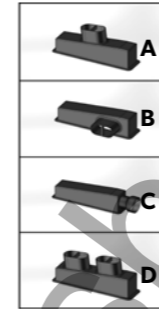
Condaria offers an extensive range of PVC splitters in various shapes and sizes to meet all requirements.

ARTICLE	INLET Ø AIR (mm)	OUTLET Ø AIR (mm)	OUTLET Ø AIR (mm)
6140000	100	100	100
6140010	125	125	125
6140040	125	100	100
6140030	100	80	80
6140020	100	80	80
6140015	125	80	125
6140090	150	125	125
6140100	180	150	150
CA/VHY444	100	100	100
CA/VHY544	125	100	100
CA/VHY553	125	125	80
CA/VHY554	125	125	100
CA/VHY555	125	125	125
CA/VHY755	180	125	125
CA/VHY655	150	125	125
CA/VHY664	150	125	125
CA/VHY765	180	150	125
CA/VHY877	200	180	180
CA/VHY653	150	125	80
CA/VHY654	150	125	100
CA/VHY766	180	150	150
CA/VHY663	150	150	80
CA/VHY665	150	150	125

• Please contact Condaria for customised products



CONDARIA TRANSITIONS



Condaria offers an extensive range of PVC transitions in various shapes and sizes to meet all requirements.

TYPE	ARTICLE	LENGTH OF BASE (mm)	HEIGHT OF BASE (mm)	CONNECT (mm)
BIG	614000005	300	87	A 80
	614000010	300	87	A 100
	614000020	300	87	A 125
	614000007	300	87	B 80
	614000030	300	87	B 100
	614000040	300	87	B 125
	614000031	300	87	C 100
	614000032	300	87	C 125
	614001162	378	82	A 80
	614000160	378	82	A 100
	614000170	378	82	A 125
	614000175	378	82	B 100
JUNIOR	614000180	378	82	B 125
	614000190	378	82	C 100
	614000200	378	82	C 125
	614000210	378	82	D 100
	614000220	378	82	D 125

They are also available in the insulated version

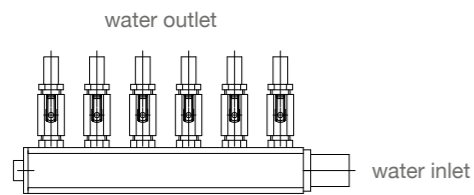
• Please contact Condaria for customised products

TYPE	ARTICLE	LENGTH OF BASE (mm)	HEIGHT OF BASE (mm)	CONNECT (mm)
GIANT 4	614000220	378	82	D 125
	614000080	443	102	A 100
	614000090	443	102	A 125
	641400095	443	102	A 150
	614000100	443	102	B 100
	614000110	443	102	B 125
	614000115	443	102	B 150
	614000070	443	102	C 100
	614000071	443	102	C 125
	614000072	443	102	C 150
SP1	614000120	443	102	D 100
	614000130	443	102	D 125
	614000140	443	102	D 150
	614000230	116	116	A 80
	614000240	116	116	A 100
	614000250	116	116	B 80
SP2	614000260	116	116	B 100
	614000270	116	172	A 100
	614000280	116	172	A 125
	614000290	116	172	B 100
	614000300	116	172	B 125

CONDARIA MANIFOLDS



Manifolds are available with various connections and in different sizes.



CODE	Ø (mm)	N° POSITION
632000011	19	2
632000012	19	3
632000016	25	2
632000017	25	3
632000013	19	4
632000014	19	5
632000020	25	6
632000025	25	7
632000018	25	4
632000019	25	5
632000024	25	10
632000026	35	2
632000049	25	8
632000021	25	9
632000029	35	5
632000030	35	6
632000027	35	3
632000028	35	4
632000095	35	9
632000023	35	10
632000043	35	7
632000050	35	8
632000103	35	13
632000054	45	2
632000065	35	11
632000106	35	12
632000089	45	5
632000084	45	6
632000053	45	3
632000088	45	4
632000085	45	7
632000004	50	3
632000002	50	4
632000003	50	2
632000109	50	7

• Please contact Condaria for customised products

- The data are subject to change
- The images are for illustrative purposes only and may not match the finished product in your possession



CONDARIA TUBES

A. Air tube



Water and air tubes are available in various widths and lengths.

PVC-ISO pre-insulated air delivery hose

CODE	Ø (mm)
6140930	80
6140880	100
6140890	125
6140900	150
6140910	180
6140920	200

Non-ISO PVC air return hose without insulation

CODE	Ø (mm)
6140935	80
6140885	100
6140895	125
6140905	150
6140915	180
6140925	200

- The data are subject to change
- The images are for illustrative purposes only and may not match the finished product in your possession

B. Water tube



Vinylair tube pre-insulated with neoprene 13 mm insulation

CODE	Ø (mm)
632000050	16/22
632000070	19/27
632000090	25/34
632000110	35/42
632000180	45/54
632000260	50/60

Vinylair tube pre-insulated with neoprene 19 mm insulation

CODE	Ø (mm)
632000060	16/22
632000080	19/27
632000100	25/34
632000120	35/42
632000185	45/54
632000250	50/60

• Please contact Condaria for customised products



CONDARIA PERSONAL CLIMATE TBS7

Fan-Coil Display



The TBS7 is an excellent and highly compact display for managing the air handling unit. It was designed with care to ensure extremely simple and intuitive use.

The controller can be used to set the speed of the fan or automatic mode, to reduce ventilation speed gradually down to the minimum set speed.

TBS7 can control operation of a three-way valve with bypass mounted on the air handler and the electric heating element, and can stop and restart the fan cyclically to keep the set temperature as constant as possible.



BENEFITS

- Modern design
- Advanced technology
- Simple and intuitive use
- Domotic

MODELS AVAILABLE

- Vimar Idea
- Vimar Eikon / Evo
- Vimar Arkè black
- Vimar Arkè white
- Bticino Light
- Bticino Axolute
- Bticino Living Air 4 M
- Bticino Axolute Air
- Bticino Living Air 3 M
- Gewiss Playbus
- Gewiss Chorus
- Ave Yachtica 3M
- Ave Yachtica 4M

• Please contact Condaria for customised products

CONDARIA PERSONAL CLIMATE TBS8

Fan-Coil Touchscreen Display



The Personal Climate TBS8 is an ultra-modern touch screen display for managing air handling units.

The controller can be used to set the speed of the fan or automatic mode, to reduce ventilation speed gradually down to the minimum set speed.

TBS8 can control operation of a three-way valve with bypass mounted on the air handler and the electric heating element, and can stop and restart the fan cyclically to keep the set temperature as constant as possible.



BENEFITS

- Modern design
- Touchscreen display
- Simple and intuitive to use
- Domotic

BENEFITS OF THE CHILLER ORGANIZER

- Vimar Idea
- Vimar Eikon / Evo

• Please contact Condaria for customised products

CONDARIA EASY CHILLER – TOP CHILLER

Chiller Display



The Easy chiller and Top Chiller are control displays of modern design for controlling a water chilling unit and/or heat pump of an electric water heater, in the case of a unit with three or four compressors.

This system can also be used to control other devices like air handling units. Designed down to the last detail, it is simple, quick and intuitive to use

CONDARIA CHILLER ORGANIZER

Chiller Display



The chiller organizer is a device that can automatically control the operation of a water chilling unit and/or heat pump of an electric water heater, in the case of a unit with three or four compressors.

The chiller organizer has a backlit alphanumeric liquid crystal display. The language can be set in a simple and intuitive way and there are instructions on how to adjust and programme the machine.

NOTE

BENEFITS OF THE EASY CHILLER / TOP CHILLER

- Simple and intuitive operation
- Modern design
- Advanced technology
- Domotic

BENEFITS OF THE CHILLER ORGANIZER

- Modern design
- Advanced technology
- Simple and intuitive operation
- For machine with 3 or 4 compressors
- Domotic
- Inverter management
- Speed adjustment

- Please contact Condaria for customised products