

RADIAL FANS

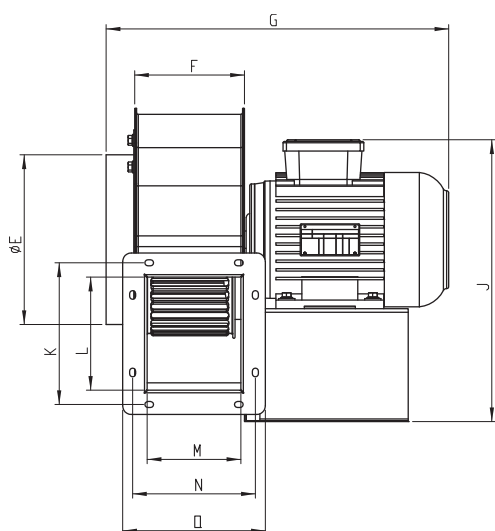
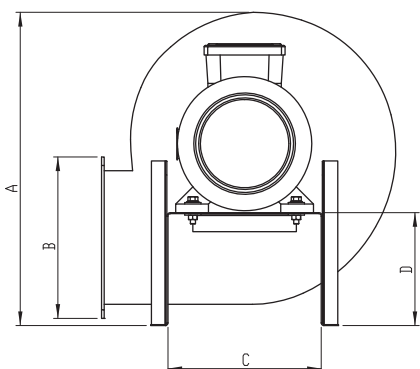


OBR 260

AC CENTRIFUGAL FANS
Single Inlet

OBR 260 works at higher temperatures due to out of airflow motor location. Forward curved impellers suit higher pressure points.

Technical Drawings



MATERIAL

: Housing is made of electrostatic powder coated sheet metal, forward curved impeller is made of galvanized sheet metal.

INSULATION CLASS

: Class B

DIRECTIVE

: EN 60335-1, EN 60335-2-80

SPEED CONTROL

: Speed can be adjusted using an optional controller.

APPLICATION AREAS

: Factories, depots, dyehouses, industrial iron machines, olive election machines, plastic and packaging machines etc. likely dusty places where dust and heat must be circulated, and cooling systems.

Accessories



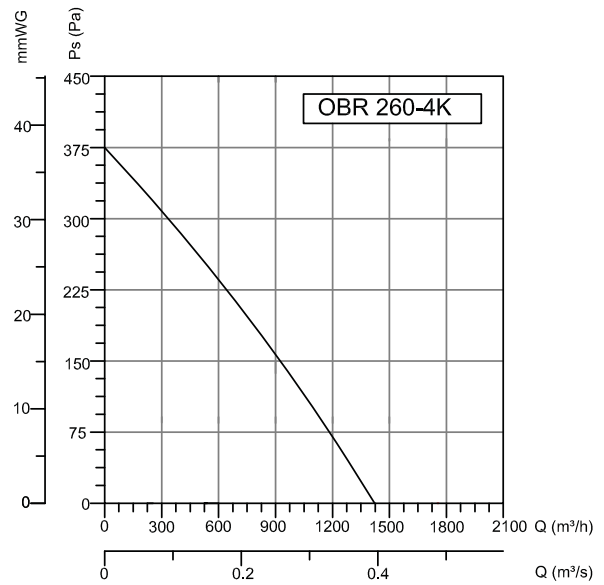
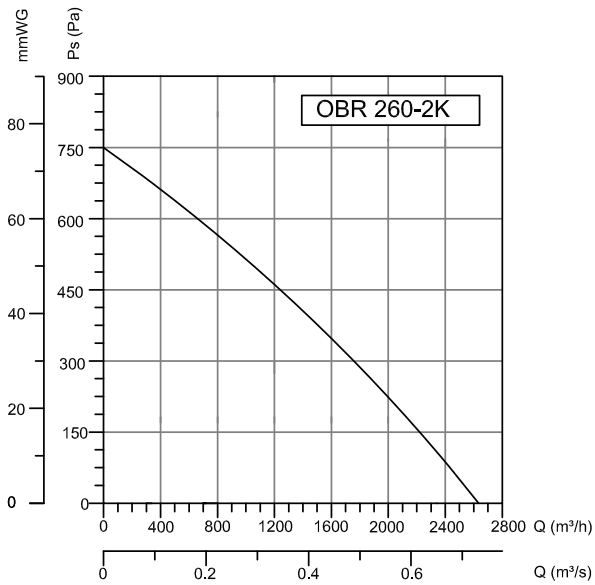
BSC

BSC-F

BYH

TYPE	A	B	C	D	E	F	G	J	K	L	M	N	O
OBR 260	361	194	155	119	197	128	405	327	162	137	115	140	163

Dimensions are in (mm)



TYPE	VOLTAGE	FREQUENCY	POWER	CURRENT	CAPACITOR	SPEED	AIR FLOW	SOUND PRESSURE LEVEL	WEIGHT
	V	Hz	W	(A)	(μ F)	d/d	m ³ /h	dB(A)	kg
OBR 260M-2K	230	50	1500	9	25	2730	2700	80	11,2
OBR 260M-4K	230	50	330	1,5	10	1375	1450	75	9,5
OBR 260T-2K	380	50	1700	2,7	-	2750	2700	80	12,8
OBR 260T-4K	380	50	290	0,82	-	1380	1450	70	9,8

